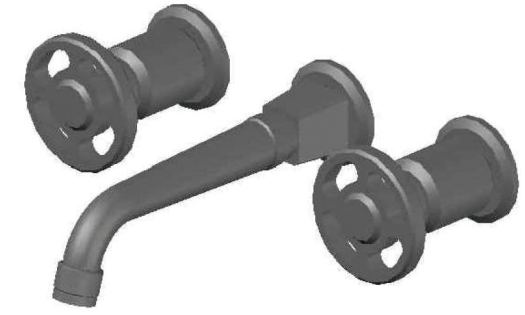


## INDUSTRICA WALL SET WITH CROSS HANDLES

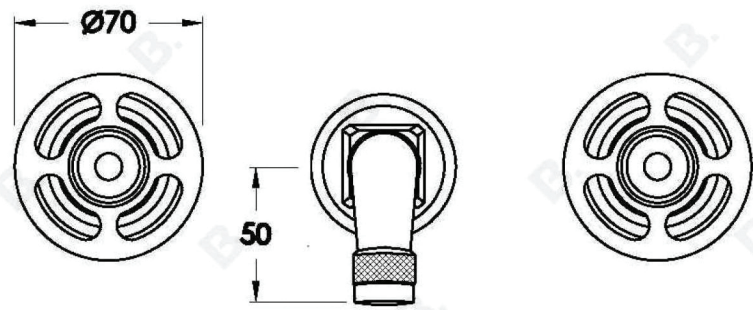
1.6705.00.2.XX

1.6705.50.2.XX: Flow controlled variant

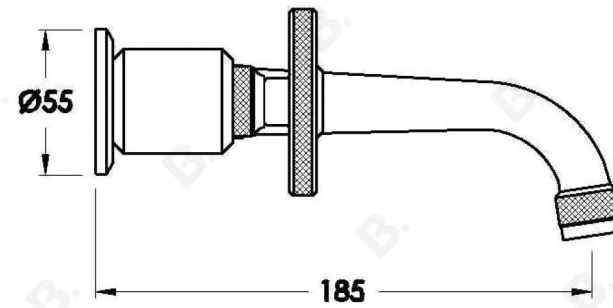


### PRODUCT DIMENSIONS:

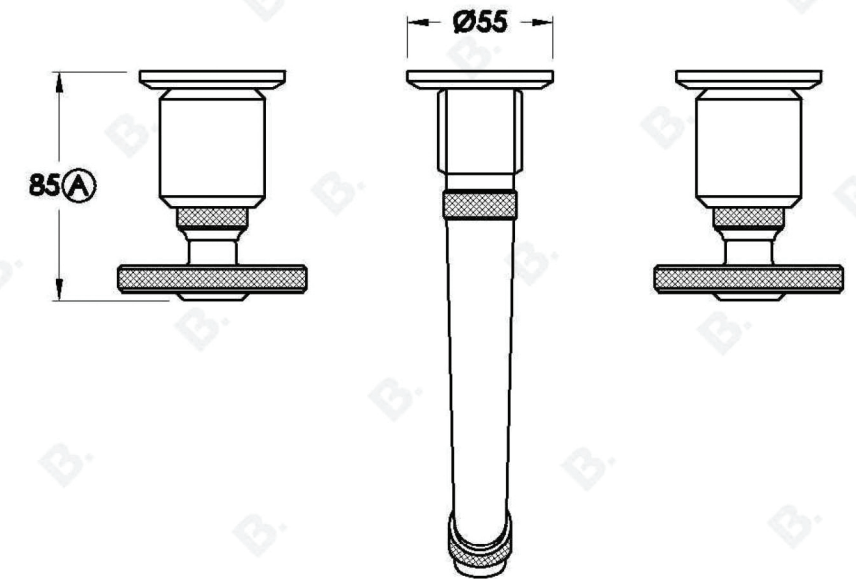
Front view:



Side view:



Top view:



## INDUSTRICA WALL SET WITH METAL LEVERS

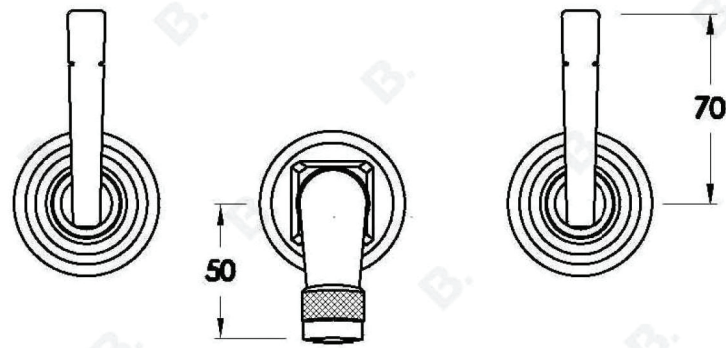
1.6705.00.3.XX

1.6705.50.3.XX: Flow controlled variant

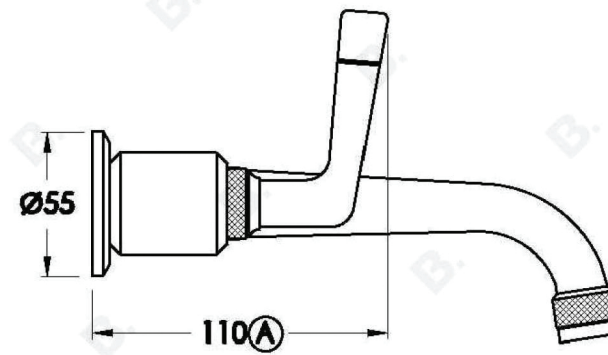


### PRODUCT DIMENSIONS:

Front view:



Side view:



Top view:

