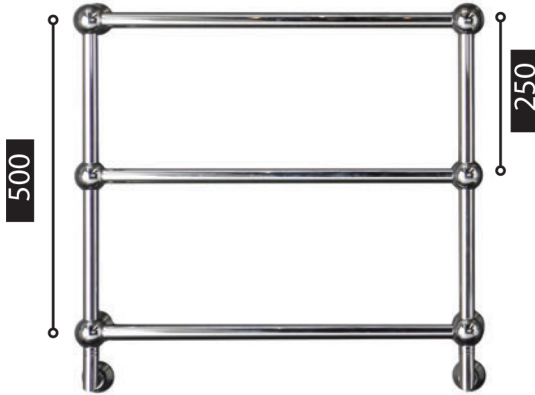


HYDROTHERM

B - SERIES TOWEL RAIL

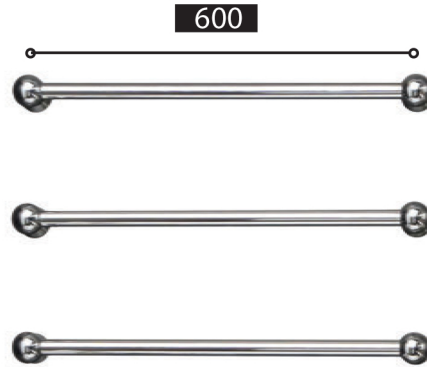
HYDROTHERM
T O W E L R A I L S

Just
BATHROOMWARE



B Model - Mini -

Height: 500mm(h) + Hard Wire
Width: 600mm (Standard)
500, 600,700, 800mm (custom)
Element: 40 watt - 70 watt



B Model - Triple Tube

Width: 600mm (Standard)
500, 600,700, 800mm (custom)
Element: 10 watt - 20 watt

FEATURES	
Replaceable Element	Heating element easily replaced
Classic Design	Classical features of the B-Series bring a timeless elegance to your bathroom
Copper Tube	Ensures ultimate thermal conductivity and radiation. Note: arms do not move independently
Local Product	100% Australian owned and manufactured

SPECIFICATIONS	
Recommended use	Domestic, hotel and commercial
Materials	Made entirely from Copper Tube with Brass Fittings
Element	Low wattage, replaceable water element
Power Cable	Bottom of unit (Only) Left or Right Side -
Safety rating	IPX5 (allows for installation in zone 1 & 2 of bathroom)
Finish	High Polish Chrome Plate
Standards	AS/NZS:3350

Warning:

This appliance is not intended for use by young children or infirm persons without supervision. Young children should be supervised to ensure they do not play with this appliance

Caution:

Towel Rail must be installed so that the bottom rail is at least 600 mm above the floor to avoid a hazard for children. The cord extension set must be positioned so that it is not subject to splashing or ingress of moisture. The supply shall have means for disconnection with an air gap in all active conductors incorporated in the fixed wiring according to the Wiring Rules in AS/NZS 3000:2000

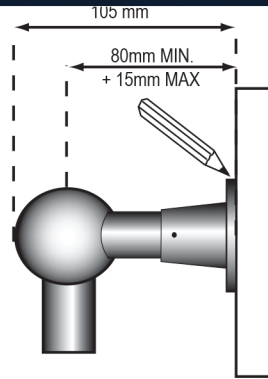
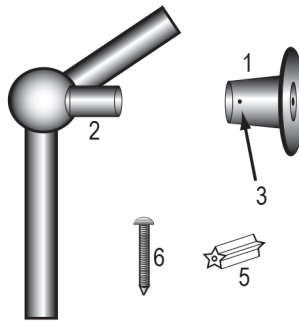


B SERIES INSTALLATION - MINI

Just
BATHROOMWARE

STEP 1

Slide the WALL BRACKET 1. into the BRACKET ARM 2.
Hold up to the wall in position and measure alignment of brackets on the wall.

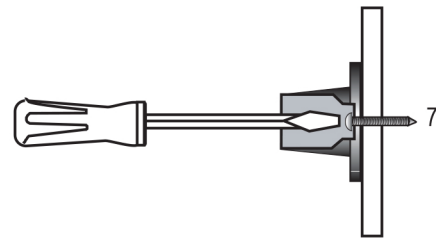
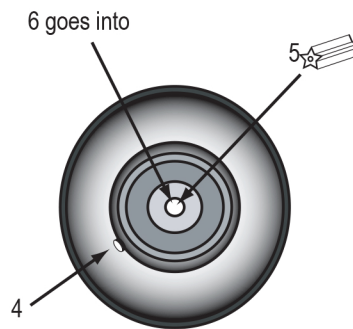


STEP 2

When the brackets are in place, hold the towel rail up to the wall and with a pencil, mark around all the brackets so that you may align the unit.

STEP 3

Remove the wall bracket from bracket arm.
Take one bracket and carefully drill the hole to insert the screw 7 (for tiled walls a masonry plug 5 should be placed in the wall).

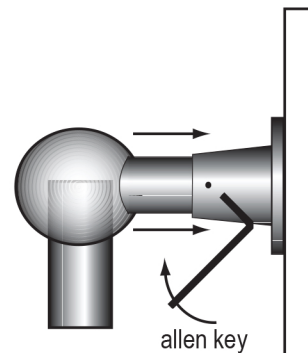
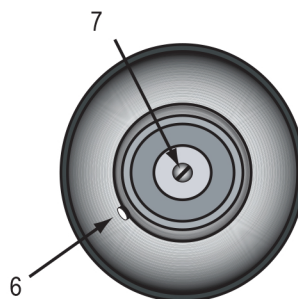


STEP 4

Using the screws provided, the bracket may be screwed into place.
PLEASE NOTE: Do not over-tighten, as some sliding movement in the bracket is required to allow expansion and contraction of the heated metal.

STEP 5

When the brackets are fixed to the wall, use the allen key to undo the screws 4 on the sides of the brackets.



STEP 6

Slide the towel rail into place, then with the allen key secure the screw 4.

Do not tighten the screw 4 too much, as this will impede removal of the unit if required.

TOWEL RAILS MUST ALWAYS BE INSTALLED WITH THE ELECTRIC ELEMENT POSITIONED AT THE BOTTOM OF THE UNIT FOR CORRECT HEAT TRANSFER



WIRING OPTIONS

The Hydrotherm TR - Series ElectricTowel rails come **pre-filled** with water, and with electric elements already fitted (standard on the left unless otherwise specified)

HARD WIRED - STANDARD OPTION

(See Fig.1 & Fig.2)

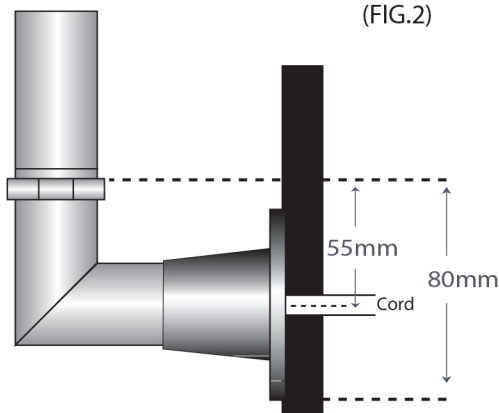
The cable may be hard-wired into the wall with an element attachment. This attachment must be installed by a qualified electrician.

Two attachments are provided for both the cable side, and non-cable side so to allow the unit to have a symmetrical appearance (see Fig 1).

All hard-wired elements have an IPX Rating of IP55. (IPX5) for use in wet areas. Hydrotherm also recommend all electric towel rails be connected to a timer for convenience and to prolong the life of the element.

HARD-WIRE ATTACHMENT

(FIG.2)



PLUG IN OPTION - REQUEST ONLY

(See Fig. 3)

Plug is supplied with element cable (1200mm long). Cable may be cut and plug attached to required length.

(See Fig 3)

This option is only available by request.

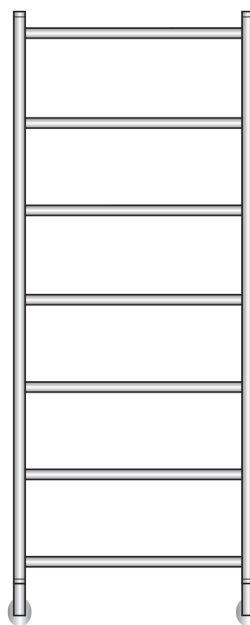
All Hydrotherm Elements carry the following approvals.



Elements have a built in thermostat and internal cut out ensuring safety and energy efficiency.

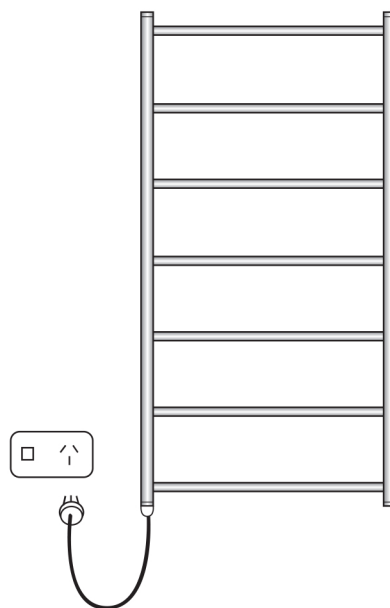
All Hydrotherm electric elements can be supplied as 240v or 110v.

All electric elements are replaceable and can be easily changed over.



(FIG.1)

HARD-WIRED VERSION



(FIG.3)

PLUG IN VERSION

HARD WIRING

Hydrotherm recommends that all hard-wired heated towel rails be connected to a light switch or timer.

Connecting hard-wired heated towel rails to a light switch or timer will prolong the life of the electric element and reduce energy consumption.

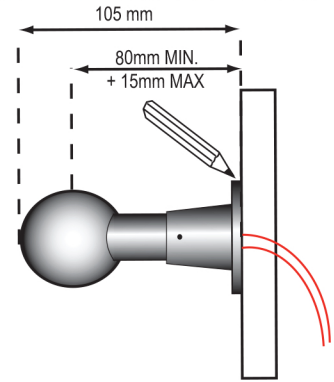
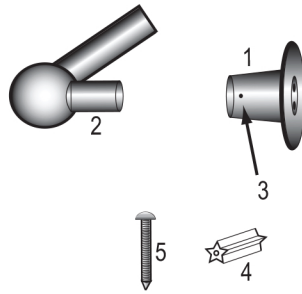
Hydrotherm recommend the brand HPM and the model XLP77TO, this particular unit is designed specifically for heated towel rails that is incorporated into a light switch panel.

B SERIES INSTALLATION - SINGLE RAIL



STEP 1

Slide the WALL BRACKET 1. over the BRACKET ARM 2.



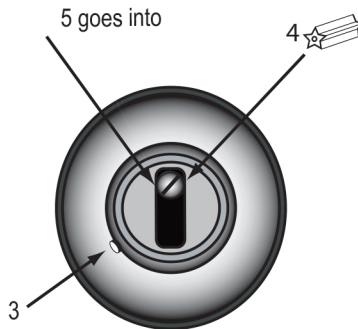
STEP 2

When the brackets are in place, hold the towel rail up to the wall and with a pencil, outline both brackets so that you may align the unit.

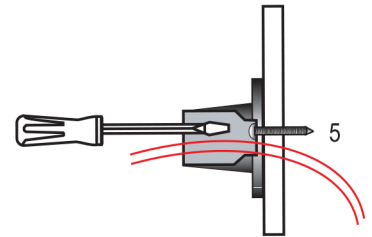
STEP 3

Remove the wall bracket from bracket arm.

Take one bracket, feed wall cable through bracket arm. Using a pencil mark screw hole position. Mark screw hole for second bracket.



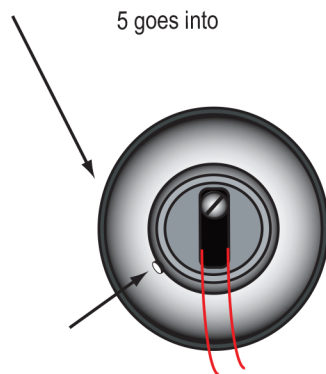
Carefully drill the hole to insert the screw 5. (for tiled walls a masonry plug 4 should be placed in the wall). If tiled wall installer must use a DIAMOND HEAD drill bit.



STEP 4

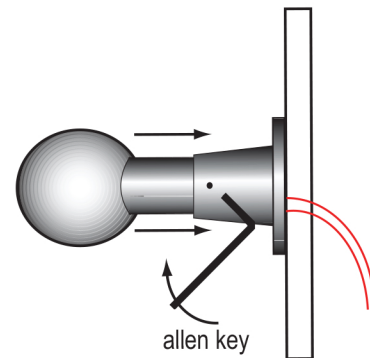
Using the screws provided, the bracket may be screwed into place.

PLEASE NOTE: Do not over-tighten, as some sliding movement in the bracket is required.



STEP 5

A qualified electrician must then connect towel rail element to existing wall cable.



STEP 7

Slide the towel rail into place, then with the allen key secure the grub screw 3.

TOWEL RAILS MUST ALWAYS BE INSTALLED WITH THE ELECTRIC ELEMENT POSITIONED AT THE BOTTOM OF THE UNIT FOR CORRECT HEAT TRANSFER



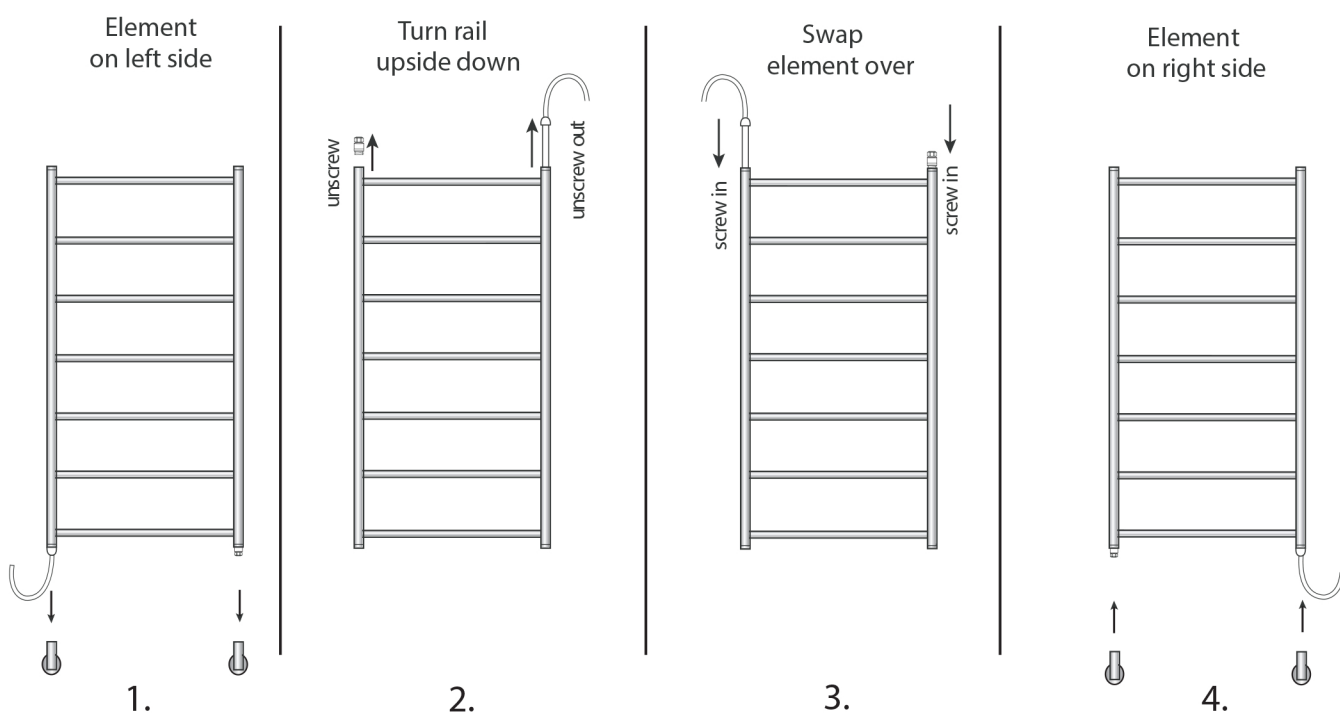
To change an element from one side to the other, or to replace an old element is a very simple process.

There are Four Basic S steps:

1. Remove towel rail from brackets (if already installed), and slip off Hard Wire Attachments.
2. Turn the towel rail upside down and with a spanner loosen the hex nut of the electric element. When the element is loose, unscrew it by hand. If you are changing the element from left to right or vice versa, the internal plug on the opposite side must also be removed and swapped over with the element.
3. Swap the element and screw in place. Reattach hard wire pieces.
4. Turn the towel rail the right way up and position back into brackets, refit grub screws to secure.

Please note:

Hydrotherm advise that the unit be removed from the wall and turned upside down to ensure that water does not spill. Ensure element always remains at bottom of towel rail



HYDROTHERM WARRANTY

At Hydrotherm we pride ourselves on the highest quality standards of design and manufacturing. All Hydrotherm products come with a 10 year manufactures warranty on the construction and finish of our towel rails. All electric heating elements are also covered by a 3 year manufactures warranty.



year

Construction & Finish
Manufacturers Warranty



year

Electric Element
Manufacturers Warranty

CLEANING RECOMMENDATIONS

This bathroom product should not be cleaned with abrasive materials eg. steel wool/scourers. Do not use any corrosive or abrasive cleaning agents containing acids or scouring agents. Bleaches can also discolour products and therefore should not be used. Damage caused by any improper treatment is not covered by the product warranty.