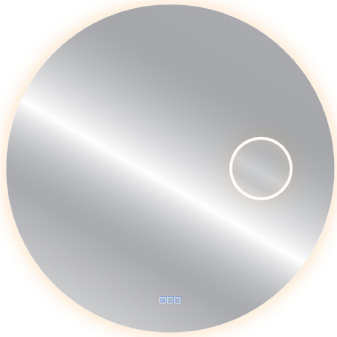


Grace 900 Smart LED Round Mirror

Product Image



Product Details

SKU: AR50903
Brand: Argent
Range: Grace
Warranty: 1 Years

Additional Features

Technical Specification

Required Product

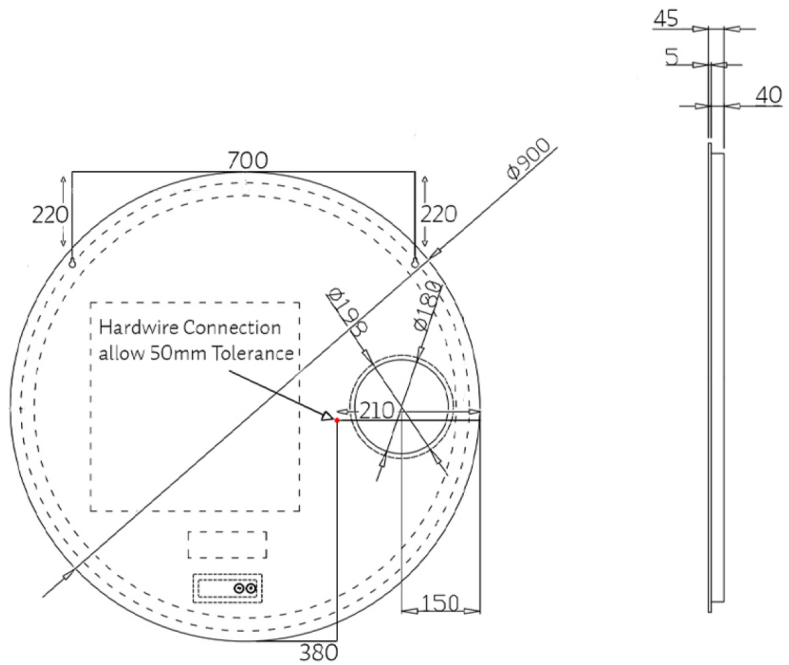
Recommended Products

Additional Notes

- * Demister
- * TriColour LED Lighting
- * Dimmer
- * 3x Magnifying Mirror
- * IP44

Installation Instructions

- * Hardwired Connection
- * Input 110V-240V 50/60HZ
- * Output 12V DC 60W



Note: All dimensions are in millimetres and are subject to normal manufacturing variations. Always use the physical product measurements for cut-outs and rough-ins as the technical details shown may differ from the actual product. Use acetec cured silicone sealant. Do not use epoxy type adhesives. Clean with damp cloth. Do not use abrasive cleaners, liquids or pastes.