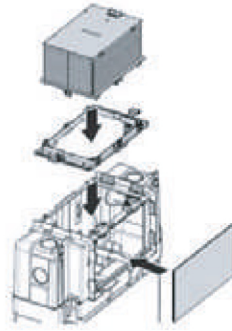


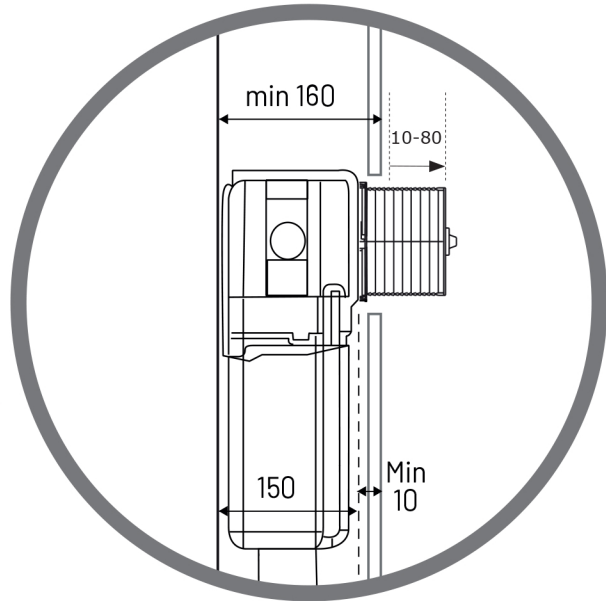
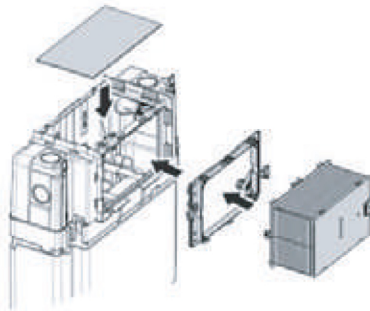
Top Access



Minimum of
160 mm from rear
of cistern to front
edge of finished
wall surface

Min. projection
of 10mm - Max.
projection of 80mm
of tile flange box
required prior to
trimming
to accommodate

Front Access



NOTE
See next page
for compatible
actuators

Cavity & wall
thickness to be a
minimum of 10mm

Expert Evo

**LOW LEVEL/
UNDER BENCH CISTERN**

CODE

721006/PN
(if used with pneumatic actuators)

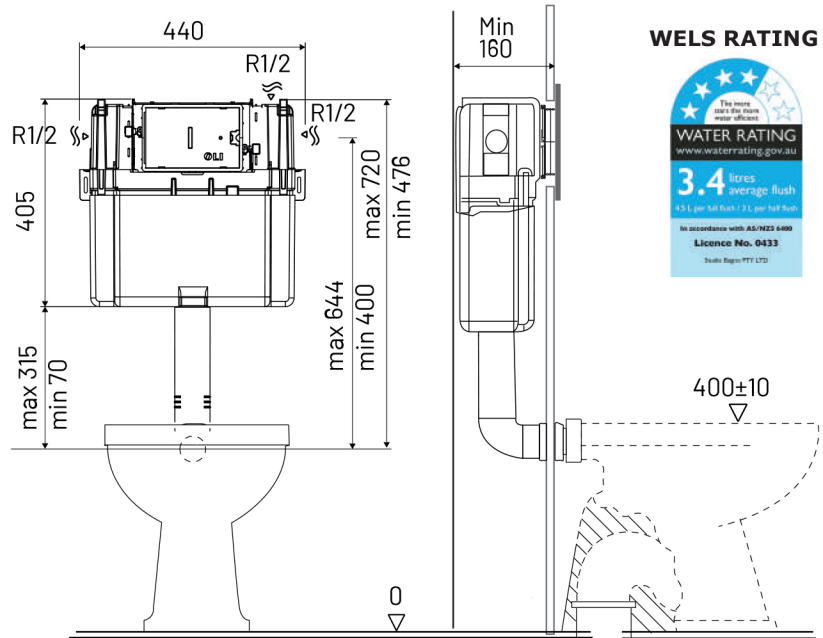
721006/MC
(if used with mechanical actuators)

WEIGHT

4.5 kg

FEATURES

- Dual flush under bench cistern with 4.5/3 litre flush
- 150 mm thickness
- 4-Star WELS rating
- Top or front activation/access
- Supplied with anti-condensation lining
- Stop Cock included
- Brackets for in-wall fixing
- Dust/Tiling protection box
- Protection sponge provided for flush pipe
- 1/2" Flexible hose connection
- 10 Year Warranty
- Manufactured in Europe
- Pneumatic actuator kit included



WELS RATING



COMPATIBLE ACTUATORS

Expert Evo

LOW LEVEL/
UNDER BENCH CISTERN

UNDER BENCH CISTERN

Cistern Code by Actuator



GLAM

721006/MC



GLOBE

721006/MC



OCEANIA

721006/MC



OCEANIA MIA

721006/MC



PLAIN

721006/MC



SLIM

721006/MC



BLINK

721006/PN



TREND

721006/PN



SPHERA +

721006/PN



SPHERA -

721006/PN



KARISMA

721006/PN