

EDGE 10 Bar 500mm STR-PTS 230V

POLISHED GRADE 304 Stainless Steel

Controller Features - PTSelect Switch:

- Temperature Adjustment • ON / OFF Switch • RED LED Indicator

Controller Technical Specifications:

Controller: PTSelect Switch
INPUT Voltage Range: 190VAC~250VAC
Operating Frequency: 50 Hz $\pm 2\%$
Load Capability: 0.18A~4A
Load Control Range: 40~100%
Standby Current: 3.0mA

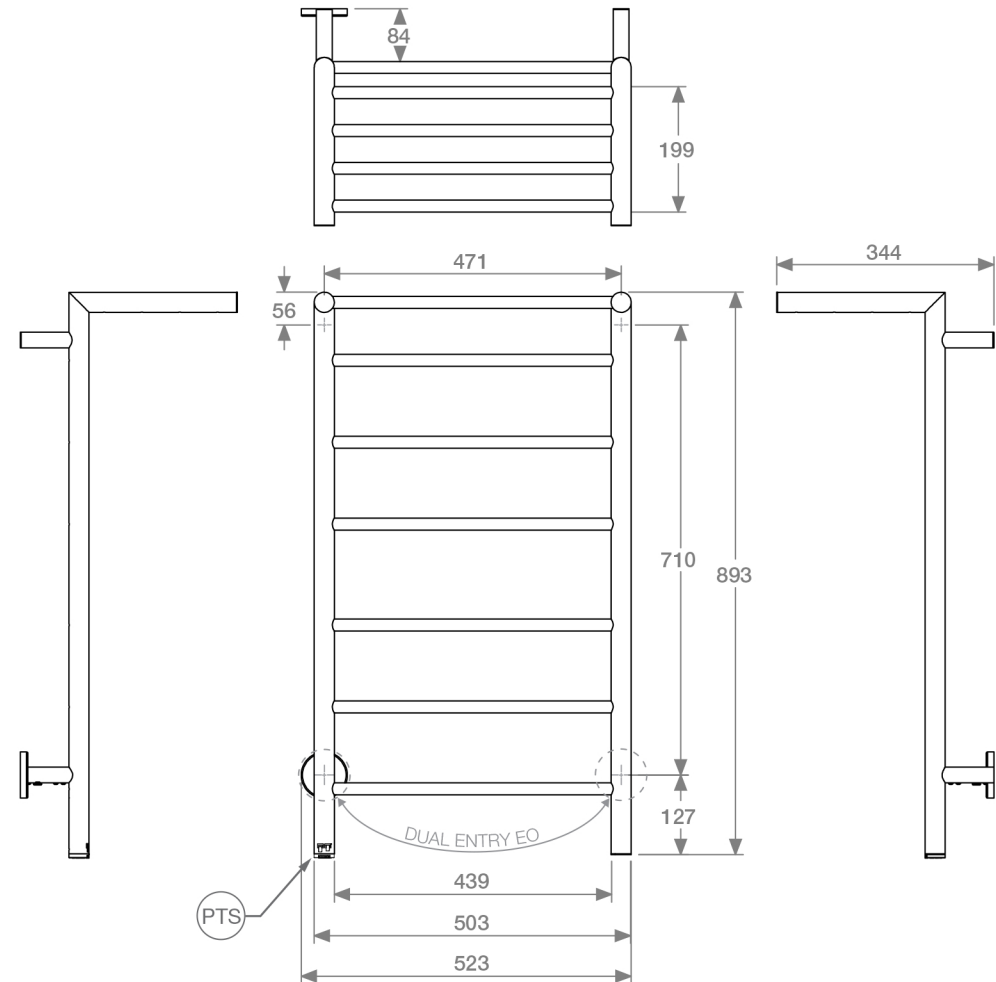
HTR Technical Specifications:

Model: EDG10221-PTS-POLS
Size: 523mm (width) x 893mm (height)
Power: 126 Watts
Current: 0.55 Amps
Volts: 230 VAC
IP Rating: IPX5

Suggested Height of Electrical Outlet = 875mm
(this is only an indication as every installation is different)

NOTES:

- *EO Denotes DUAL ENTRY Electrical Outlet connection
- *PTS Denotes location of PTSelect Switch



Dimensions given are in mm. Bathroom Butler® reserves the right to alter and/or remove designs from time to time without prior notice. This drawing is to be used for reference purposes only. E & O.E. This product may not be available in your specific country, please check local website for availability. Copyright Bathroom Butler® 2016

