

# DANZACOMFORT+

BACK TO WALL SUITE

CODE: DZ1100



**gallaria**

intelligentbathrooms®

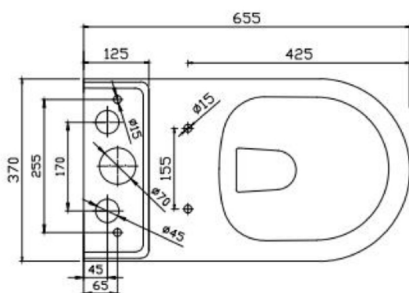
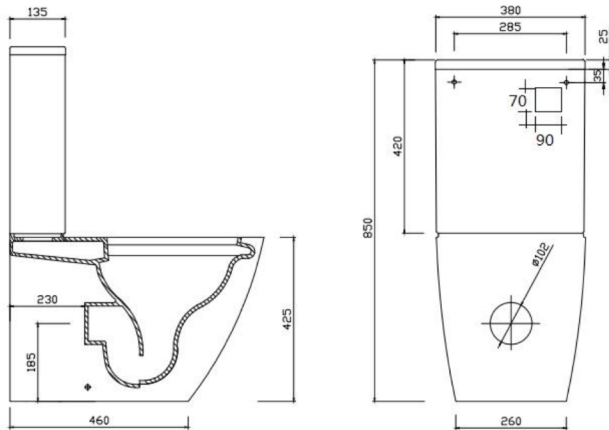


Remote Control  
Requires 2 x Type  
CR2032 batteries  
(not included)

- Inclusions**
- ✓ DANZACOMFORT+ Back to Wall Suite with Intelligent Bidet Seat
  - ✓ Waste pipes
  - ✓ Water filter
  - ✓ Check valve/ball valve & inlet hose
  - ✓ Remote control

- Features**
- Sleek minimal design lines
  - Instantly heated water
  - Self-cleaning shower spray nozzle with rear and woman's wash functions, oscillating and pulsating spray, adjustable water temperature, water pressure and nozzle position
  - Built-in LED night light
  - Soft close seat
  - Rimless pan for reduced bacteria build-up

**Note** This intelligent toilet is fitted with an integrated high hazard backflow prevention device that meets the installation standards outlined in AS/NZS 3500.



**Notes for the installer**

Connection to rain water or grey water is not recommended. It should only be operated with potable/drinking water.

Standard setout: 80-170mm

Other vario-bend setout options:

90-170mm - code: XLDFB09

170-240mm - code: XLDFBQP

The maximum water pressure for water supply is 500kpa.

Power supply requirements: Dedicated 10A min, 220~240V AC, 50/60Hz supply

The water filter has a service life of approximately 6 months.

WELS: 0016  
WM: 030025

DANZACOMFORT+

BACK TO WALL SUITE

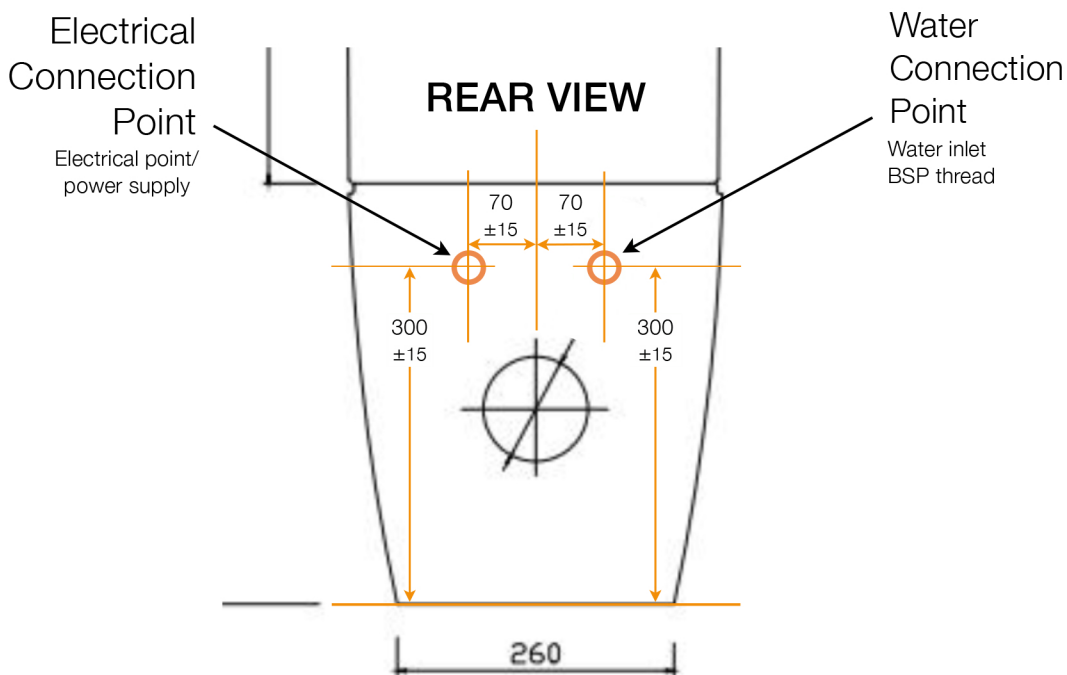
CODE: DZ1100

Just  
BATHROOMWARE

gallaria

intelligentbathrooms®

WATER &  
ELECTRICAL  
CONNECTION  
DETAILS



WELS: 0016  
WM: 030025