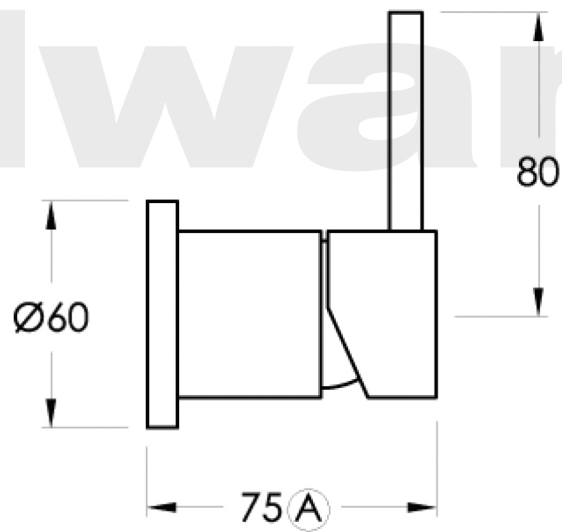


Brodware



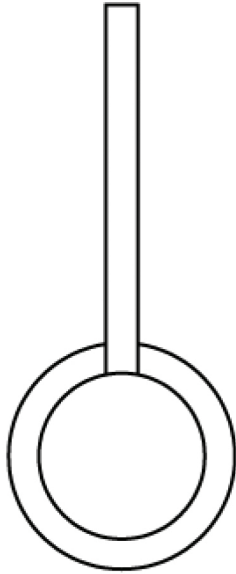
<sup>Ⓐ</sup> Approximate distance

**CITY STIK**

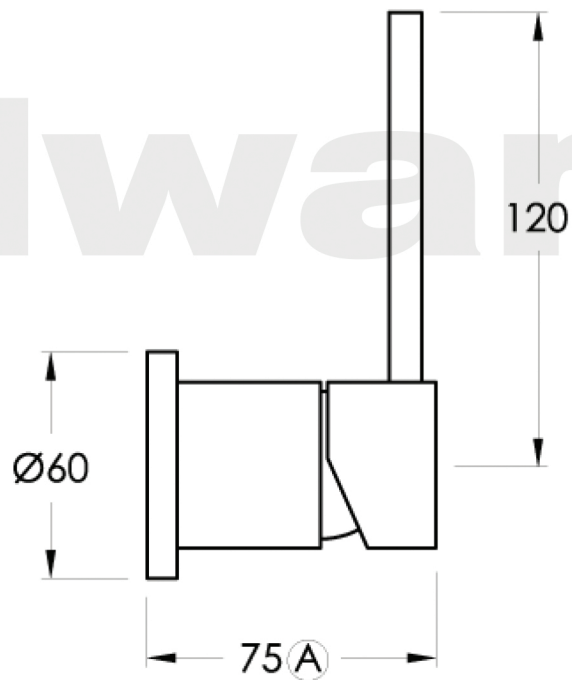
**1.9948.00.0.XX**

XX Indicates finish  
Manufacturing engineers of quality commercial and residential fittings  
Dimensions subjects to change without notice. All dimensions are approximate  
Copyright © Brodware Industries 2013. [www.brodware.com.au](http://www.brodware.com.au)

**Brodware**<sup>™</sup>



Brodware



Ⓐ Approximate distance

**CITY STIK**

**1.9948.30.3.XX**

XX Indicates finish  
Manufacturing engineers of quality commercial and residential fittings  
Dimensions subjects to change without notice. All dimensions are approximate  
Copyright © Brodware Industries 2013. [www.brodware.com.au](http://www.brodware.com.au)

**Brodware**<sup>TM</sup>