

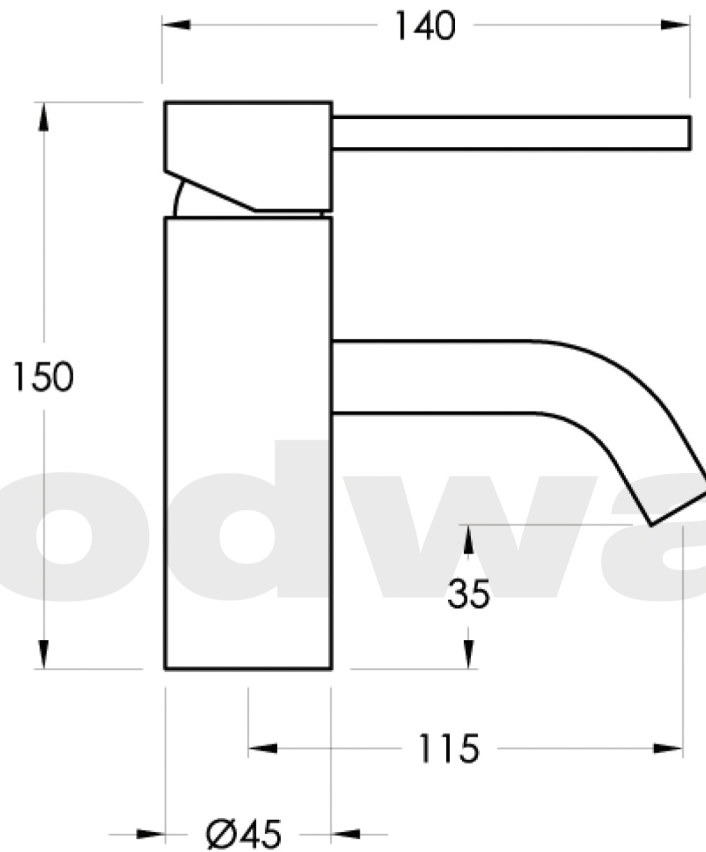
Note: Mixer requires a $\text{Ø}35\text{mm}$ hole in the bench or basin

CITY STIK

1.9902.00.0.XX

XX Indicates finish
Manufacturing engineers of quality commercial and residential fittings
Dimensions subjects to change without notice. All dimensions are approximate
Copyright © Brodware Industries 2013. www.brodware.com.au

BrodwareTM



Note: Mixer requires a Ø35mm hole in the bench or basin

CITY STIK

1.9902.30.0.XX

XX Indicates finish
 Manufacturing engineers of quality commercial and residential fittings
 Dimensions subjects to change without notice. All dimensions are approximate
 Copyright © Brodware Industries 2013. www.brodware.com.au

BrodwareTM