

Ⓐ Approximate distance

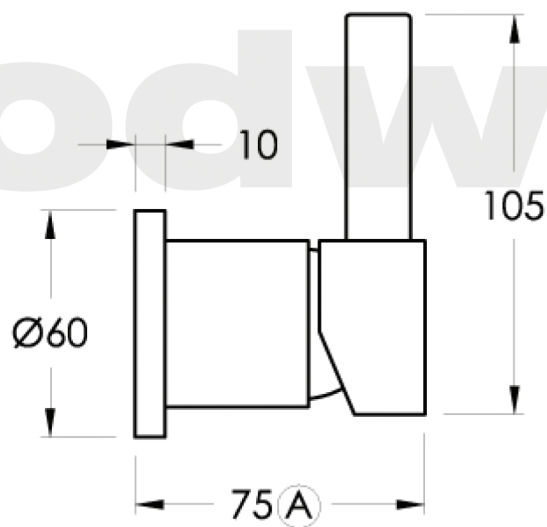
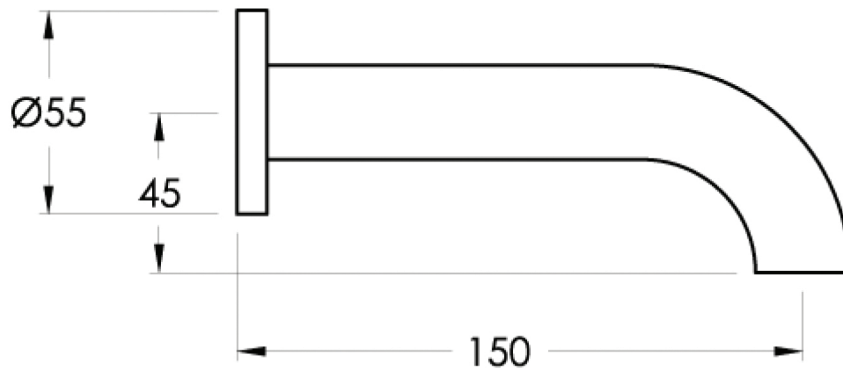


**CITY PLUS**

**1.9705.04.3.XX**

XX Indicates finish  
 Manufacturing engineers of quality commercial and residential fittings  
 Dimensions subjects to change without notice. All dimensions are approximate  
 Copyright © Brodware Industries 2013. [www.brodware.com.au](http://www.brodware.com.au)

**Brodware**<sup>TM</sup>



Brodware

(A) Approximate distance



**CITY PLUS**

**1.9705.04.7.XX**

XX Indicates finish  
 Manufacturing engineers of quality commercial and residential fittings  
 Dimensions subjects to change without notice. All dimensions are approximate  
 Copyright © Brodware Industries 2013. www.brodware.com.au

**Brodware**<sup>TM</sup>