

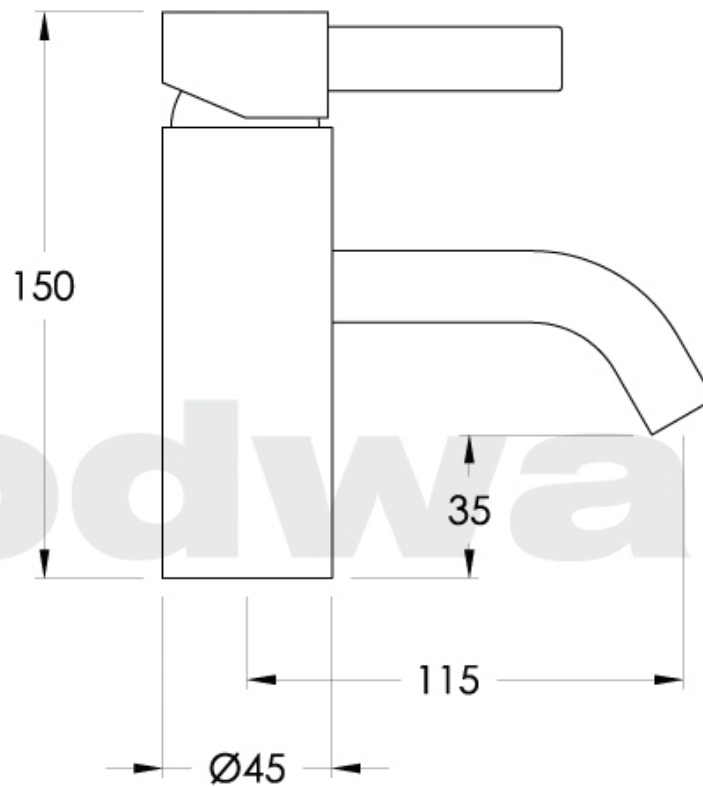
Note: Mixer requires a $\text{Ø}35\text{mm}$ hole in the bench or basin

CITY PLUS

1.9702.00.3.XX

XX Indicates finish
Manufacturing engineers of quality commercial and residential fittings
Dimensions subjects to change without notice. All dimensions are approximate
Copyright © Brodware Industries 2013. www.brodware.com.au

BrodwareTM



Note: Mixer requires a Ø35mm hole in the bench or basin

CITY PLUS

1.9702.00.7.XX

XX Indicates finish
Manufacturing engineers of quality commercial and residential fittings
Dimensions subjects to change without notice. All dimensions are approximate
Copyright © Brodware Industries 2013. www.brodware.com.au

BrodwareTM