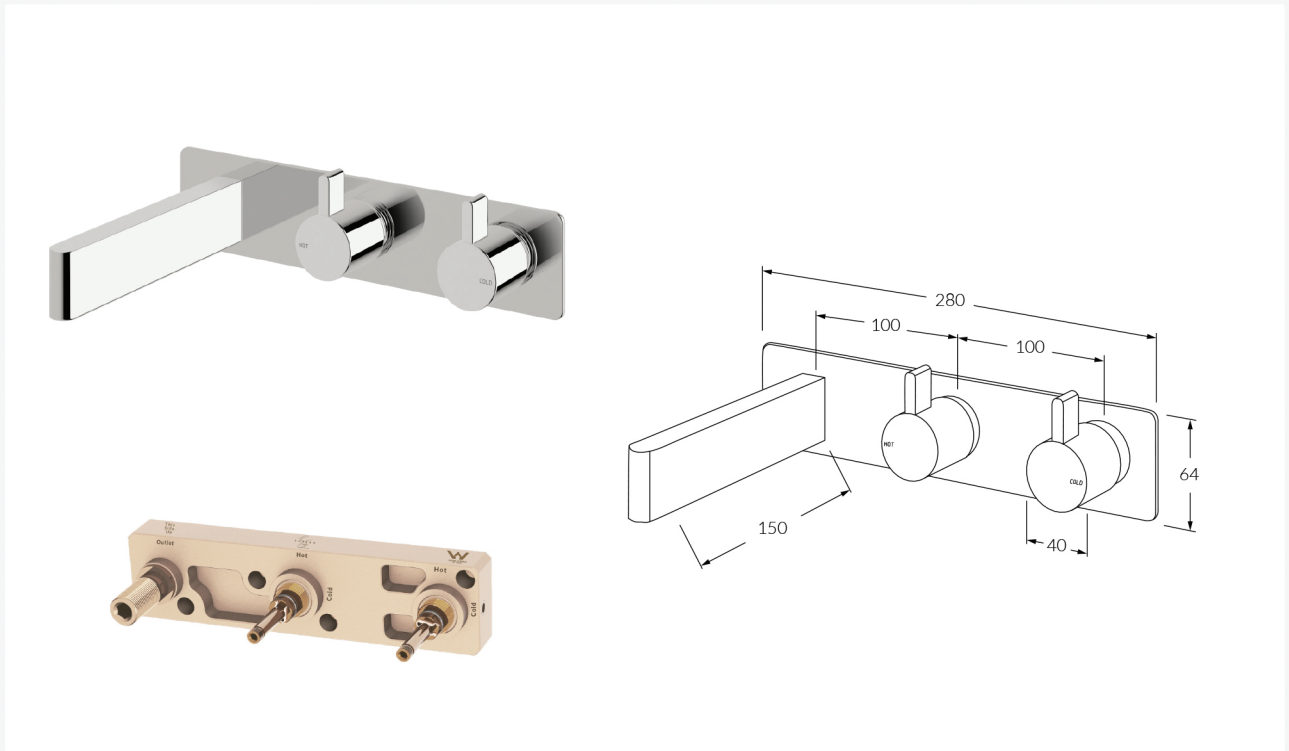


## INFORMATION SHEET

**Calibre Wall Bath Hostess System 150mm**

Product code:	Available Option:
CBHS150RH	Right hand operation
CBHS150LH	Left hand operation

**FEATURING THE SUSSEX MASTERFIT**

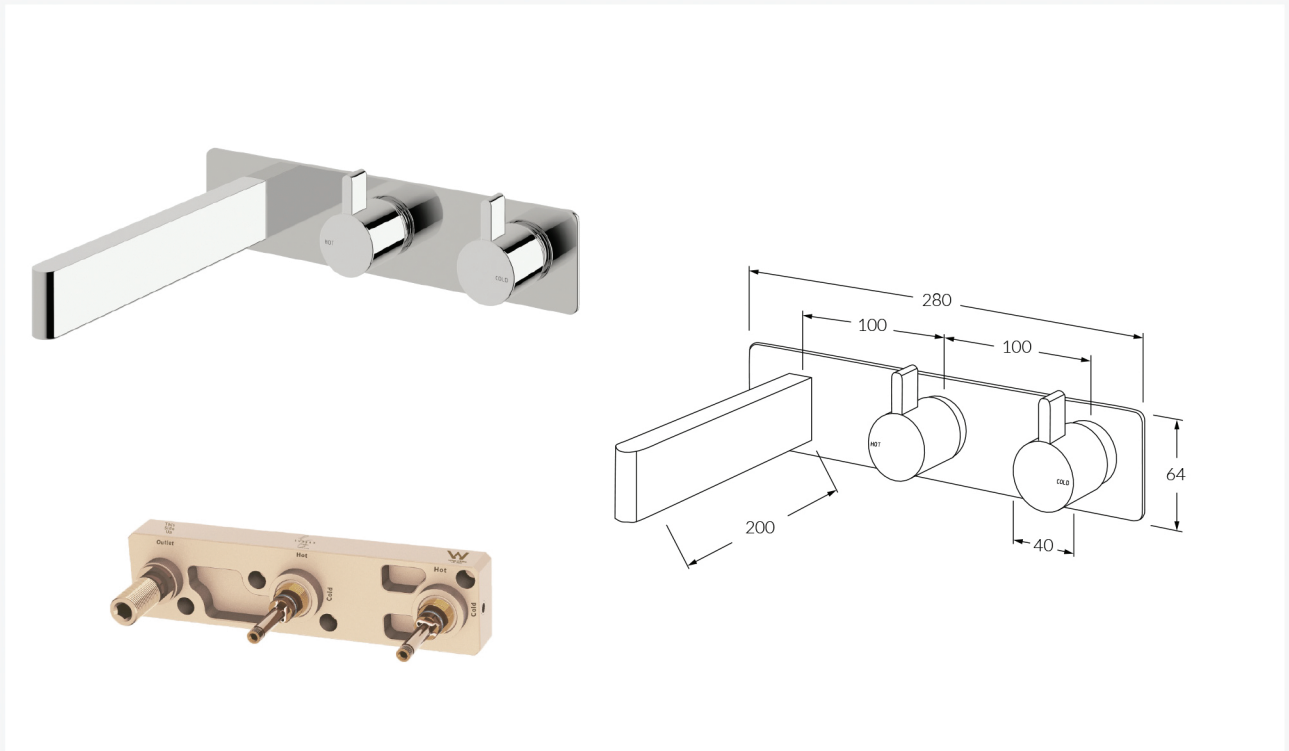
A new innovative all-in-one plumbing unit that simplifies the installation process for tapware and outlet combinations.

- Made in Australia from high quality solid brass
- Precision engineered to Australian Standards
- Significant savings in Cost, Labour and Time
- Easy to install
- Spindles, outlets and backplates fit perfectly every time
- Standards ½" BSP connections for plumbing fittings
- Tapware fully serviceable after installation
- Generous tolerance for wall cover thicknesses

## INFORMATION SHEET

**Calibre Wall Bath Hostess System 200mm**

Product code:	Available Option:
CBHS200RH	Right hand operation
CBHS200LH	Left hand operation

**FEATURING THE SUSSEX MASTERFIT**

A new innovative all-in-one plumbing unit that simplifies the installation process for tapware and outlet combinations.

- Made in Australia from high quality solid brass
- Precision engineered to Australian Standards
- Significant savings in Cost, Labour and Time
- Easy to install
- Spindles, outlets and backplates fit perfectly every time
- Standards ½" BSP connections for plumbing fittings
- Tapware fully serviceable after installation
- Generous tolerance for wall cover thicknesses

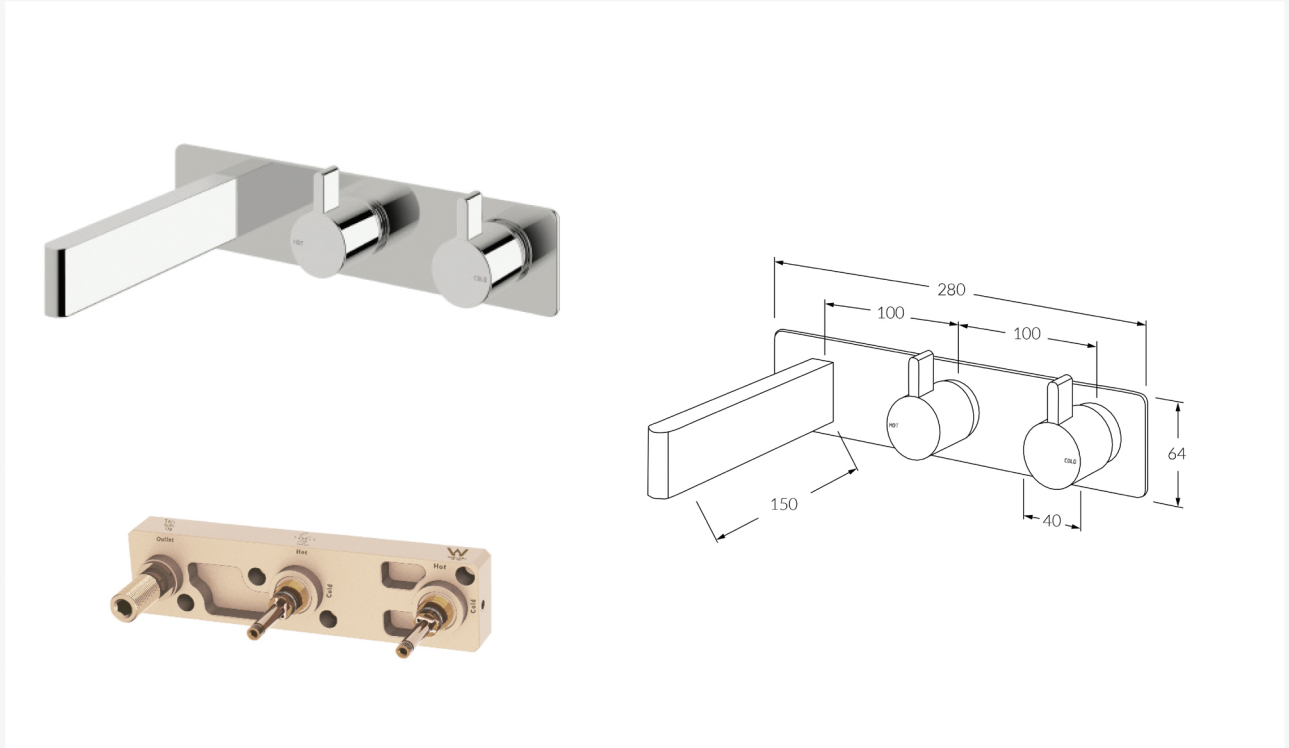
## INFORMATION SHEET

**Calibre Wall Basin Hostess System 150mm**

Product code: Available Option:

CWBHS150RH Right hand operation

CWBHS150LH Left hand operation

**FEATURING THE SUSSEX MASTERFIT**

A new innovative all-in-one plumbing unit that simplifies the installation process for tapware and outlet combinations.

- Made in Australia from high quality solid brass
- Precision engineered to Australian Standards
- Significant savings in Cost, Labour and Time
- Easy to install
- Spindles, outlets and backplates fit perfectly every time
- Standards ½" BSP connections for plumbing fittings
- Tapware fully serviceable after installation
- Generous tolerance for wall cover thicknesses



CRAFTED IN MELBOURNE



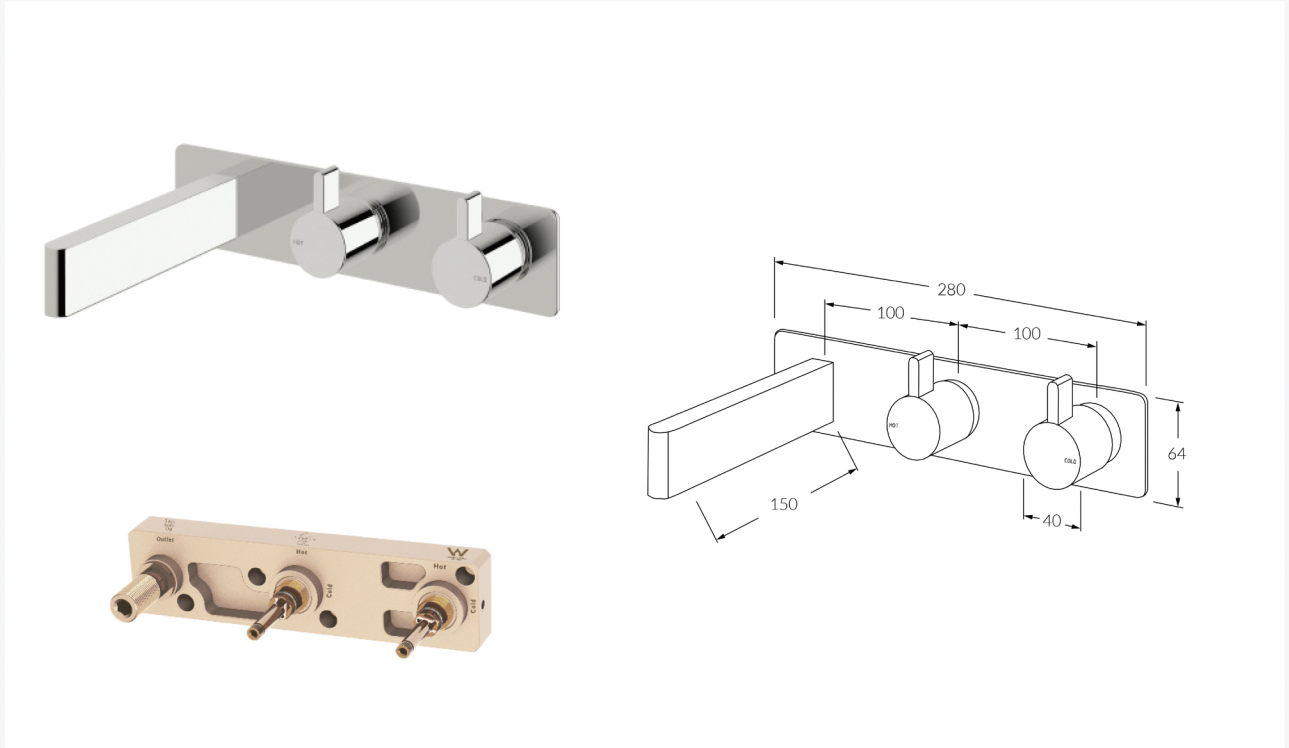
sussex taps.com.au

AS/NZS 3718:2005  
LIC. 20081

INFORMATION SHEET

**Calibre Wall Basin Hostess System 150mm**

Product code: CWBHS150RH Available Option: Right hand operation  
 CWBHS150LH Available Option: Left hand operation



**FEATURING THE SUSSEX MASTERFIT**

A new innovative all-in-one plumbing unit that simplifies the installation process for tapware and outlet combinations.

- Made in Australia from high quality solid brass
- Precision engineered to Australian Standards
- Significant savings in Cost, Labour and Time
- Easy to install
- Spindles, outlets and backplates fit perfectly every time
- Standards ½" BSP connections for plumbing fittings
- Tapware fully serviceable after installation
- Generous tolerance for wall cover thicknesses



CRAFTED IN MELBOURNE



sussex taps.com.au



AS/NZS 3718:2005 LIC. 20081

