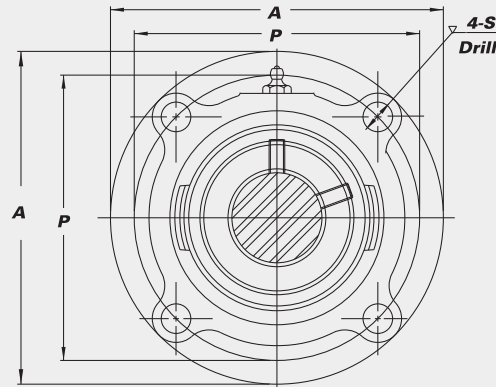
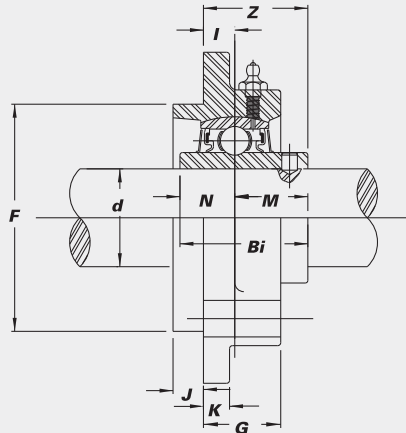


# UCFCF 4-Bolt Piloted Flange Units



## Standard duty with set screw lock.

- Cast iron housing
- Wide inner race bearing
- Available with eccentric locking collar bearing
- B-type seals
- L3-type seals available in some sizes



STANDARD PRODUCTS

| Unit No.  | Shaft Dia.                           |        | Dimensions (in.) (mm) |                |                |              |              |              |                |               |                 |                |                | Bolt Used (in.) | Bearing No. | Housing No.                                    | Weight (lbs.) |     |
|---|--------------------------------------|--------|-----------------------|----------------|----------------|--------------|--------------|--------------|----------------|---------------|-----------------|----------------|----------------|-----------------|-------------|--|---------------|-----|
|   | d (in.)                              | d (mm) | A                     | P              | S              | J            | K            | G            | F              | I             | Z               | Bi             | N              |                 |             |  |               | M   |
| UCFCF 205-14<br>205-15<br>205                     | 7/8<br>15/16                         | 25     | 4 3/8<br>111          | 3 5/8<br>92.1  | 1 3/32<br>10.3 | 1/4<br>6     | 3/8<br>10    | 55/64<br>22  | 3.000<br>76.2  | 7/16<br>11    | 1 7/32<br>31.0  | 1.3386<br>34.0 | 0.5630<br>14.3 | 0.7756<br>19.7  | 5/16        | UC 205-14<br>205-15<br>205                     | FCF 205       | 2.6 |
| UCFCF 206-17<br>206-18<br>206<br>206-19<br>206-20 | 1 1/16<br>1 1/8<br>1 3/16<br>1 1/4 S | 30     | 5<br>127              | 4 1/8<br>104.8 | 1 5/32<br>11.9 | 2 7/64<br>11 | 3/8<br>10    | 25/32<br>20  | 3.375<br>85.7  | 1 9/64<br>7.5 | 1 11/64<br>29.8 | 1.5000<br>38.1 | 0.6260<br>15.9 | 0.8740<br>22.2  | 3/8         | UC 206-17<br>206-18<br>206<br>206-19<br>206-20 | FCF 206       | 3.9 |
| UCFCF 207-20<br>207-21<br>207-22<br>207<br>207-23 | 1 1/4<br>1 5/16<br>1 3/8<br>1 7/16   | 35     | 5 1/4<br>133          | 4 3/8<br>111.1 | 1 5/32<br>11.9 | 1 1/2<br>12  | 7/8<br>12    | 22<br>22     | 3.625<br>92.1  | 9/32<br>7     | 1 13/32<br>32.5 | 1.6890<br>49.9 | 0.6890<br>17.5 | 1.0000<br>25.4  | 3/8         | UC 207-20<br>207-21<br>207-22<br>207<br>207-23 | FCF 207       | 4.2 |
| UCFCF 208-24<br>208-25<br>208                     | 1 1/2<br>1 9/16                      | 40     | 5 1/4<br>133          | 4 3/8<br>111.1 | 1 5/32<br>11.9 | 1 1/2<br>12  | 1 1/32<br>26 | 22<br>26     | 3.625<br>92.1  | 3/8<br>9.5    | 1 9/16<br>39.7  | 1.9370<br>49.2 | 0.7480<br>19.0 | 1.1890<br>30.2  | 3/8         | UC 208-24<br>208-25<br>208                     | FCF 208       | 4.6 |
| UCFCF 209-26<br>209-27<br>209-28<br>209           | 1 5/8<br>1 11/16<br>1 3/4            | 45     | 6 1/8<br>156          | 5 1/8<br>130.2 | 1 7/32<br>13.5 | 1 5/32<br>12 | 2 9/64<br>12 | 22<br>22     | 4.250<br>108.0 | 7/32<br>5.5   | 1 13/32<br>35.7 | 1.9370<br>49.2 | 0.7480<br>19.0 | 1.1890<br>30.2  | 7/16        | UC 209-26<br>209-27<br>209-28<br>209           | FCF 209       | 6.2 |
| UCFCF 210-30<br>210-31<br>210<br>210-32           | 1 7/8<br>1 15/16<br>2S               | 50     | 6 3/8<br>162          | 5 3/8<br>136.5 | 1 7/32<br>13.5 | 5/8<br>16    | 1 1/2<br>12  | 1 1/16<br>27 | 4.500<br>114.3 | 1 1/32<br>9   | 1 5/8<br>41.3   | 2.0315<br>51.6 | 0.7480<br>19.0 | 1.2835<br>32.6  | 7/16        | UC 210-30<br>210-31<br>210<br>210-32           | FCF 210       | 7.0 |
| UCFCF 211-32<br>211-34<br>211<br>211-35           | 2<br>2 1/8<br>2 1/2<br>2 9/16        | 55     | 7 7/8<br>181          | 6<br>152.4     | 1 9/32<br>15.1 | 7/8<br>22    | 1 1/2<br>12  | 22<br>22     | 5.000<br>127.0 | 7/32<br>5.5   | 1 17/32<br>38.9 | 2.1890<br>55.6 | 0.8740<br>22.2 | 1.3150<br>33.4  | 1/2         | UC 211-32<br>211-34<br>211<br>211-35           | FCF 211       | 9.1 |

Interchange Page 47