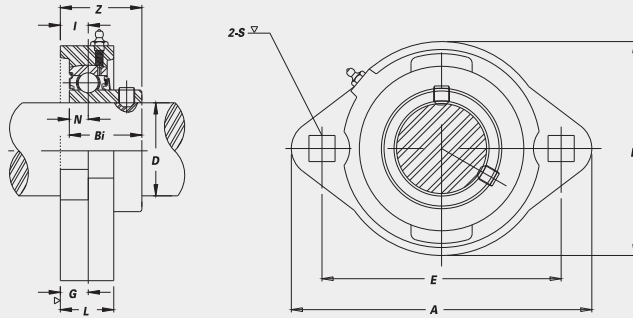
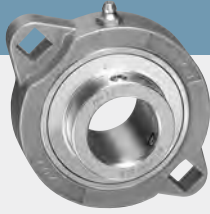
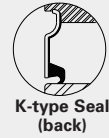


SSBSLF & SSBSRFB



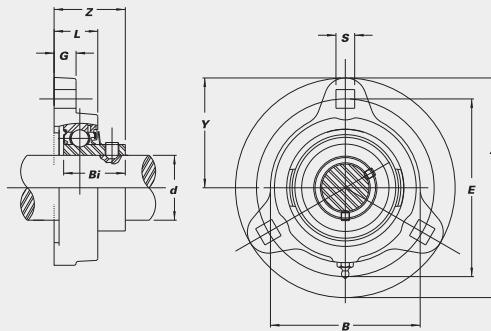
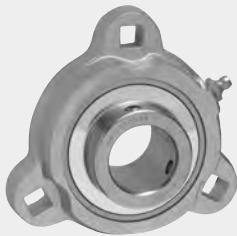
SSBSLF 2-Bolt Flange Units All Stainless Steel

- Square bolt holes
- K-type seals
- Narrow inner race bearing



CORROSION RESISTANT

Unit No.	Shaft Dia. <i>d</i>		Dimensions (in.) (mm)										Bolt Used (in.)	Bearing No.	Housing No.	Weight (lbs.)
	(in.)	(mm)	<i>A</i>	<i>E</i>	<i>I</i>	<i>G</i>	<i>L</i>	<i>S</i>	<i>B</i>	<i>Z</i>	<i>Bi</i>	<i>N</i>				
SSBSLF 201-8 202-10	1/2 5/8		3 ⁹ / ₁₆ 81	2 1/2 63.5	3/8 10	3/8 10	2 ³ / ₃₂ 18	5/16 8	2 ⁷ / ₃₂ 56	1 25.4	0.8661 22.0	0.2362 6.0	1/4	SSB 201-8 202-10	SLF 203	0.6
SSBSLF 204-12 204	3/4	20	3 ¹⁷ / ₃₂ 90	2 ¹³ / ₁₆ 71.5	7/16 11	7/16 11	2 ⁵ / ₃₂ 20	2 ⁵ / ₆₄ 10	2 ¹³ / ₃₂ 61	1 ³ / ₃₂ 29.0	0.9843 25.0	0.2756 7.0	5/16	SSB 204-12 204	SLF 204	0.7
SSBSLF 205-14 205 205-16	7/8 1	25	3 ³ / ₄ 95	2 ⁸³ / ₆₄ 76.0	7/16 11	7/16 11	2 ⁵ / ₃₂ 20	2 ⁵ / ₆₄ 10	2 ¹⁷ / ₃₂ 64	1 ³ / ₁₆ 30.5	1.0630 27.0	0.2953 7.5	5/16	SSB 205-14 205 205-16	SLF 205	0.9
SSBSLF 206-18 206 206-19 206-20	1 1/8 1 3/16 1 1/4	30	4 ⁷ / ₁₆ 113	3 ⁹ / ₁₆ 90.5	1 ⁵ / ₃₂ 12	1 ⁵ / ₃₂ 12	7/8 23	1 ⁵ / ₃₂ 12	3 76	1 ¹⁹ / ₆₄ 33.0	1.1417 29.0	0.3150 8.0	3/8	SSB 206-18 206 206-19 206-20	SLF 206	1.2
SSBSLF 207-20 207-22 207 207-23	1 1/4 1 3/8 1 7/16	35	4 ¹³ / ₁₆ 122	3 ¹⁵ / ₁₆ 100.0	3 ⁵ / ₆₄ 13	3 ³ / ₆₄ 13	1 ⁵ / ₁₆ 24	1 ⁵ / ₃₂ 12	3 1/2 89	1 ²⁵ / ₆₄ 35.5	1.2598 32.0	0.3346 8.5	3/8	SSB 207-20 207-22 207 207-23	SLF 207	1.7



SSBSRFB 3-Bolt Flange Units All Stainless Steel

- Square bolt holes
- K-type seals
- Narrow inner race bearing



Unit No.	Shaft Dia. <i>d</i>		Dimensions (in.) (mm)										Bolt Used (in.)	Bearing No.	Housing No.	Weight (lbs.)
	(in.)	(mm)	<i>A</i>	<i>E</i>	<i>G</i>	<i>B</i>	<i>L</i>	<i>S</i>	<i>Z</i>	<i>Bi</i>	<i>Y</i>					
SSBSRFB 204-12 204	3/4	20	3 ⁹ / ₁₆ 90	2 ¹³ / ₁₆ 71.4	7/16 11	2 ⁵ / ₈ 67	2 ⁵ / ₃₂ 20	1 ¹ / ₃₂ 9	1 ⁵ / ₃₂ 29.4	0.9843 25.0	1 ²⁵ / ₃₂ 45	5/16	SSB 204-12 204	SRFB 204	.8	
SSBSRFB 205-14 205 205-16	7/8 1	25	3 ³ / ₄ 95	3 76.2	7/16 11	2 ⁷ / ₈ 73	2 ⁵ / ₃₂ 20	1 ¹ / ₃₂ 9	1 ⁷ / ₃₂ 31.0	1.0630 27.0	1 ⁷ / ₈ 48	5/16	SSB 205-14 205 205-16	SRFB 205	.9	
SSBSRFB 206-18 206 206-19 206-20	1 1/8 1 3/16 1 1/4	30	4 ⁷ / ₁₆ 113	3 ⁹ / ₁₆ 90.5	1 ⁵ / ₃₂ 12	3 76	5 ⁷ / ₆₄ 23	1 ³ / ₃₂ 10	1 ⁹ / ₃₂ 32.3	1.1417 29.0	2 ⁷ / ₃₂ 56	3/8	SSB 206-18 206 206-19 206-20	SRFB 206	1.2	
SSBSRFB 207-20 207-22 207 207-23	1 1/4 1 3/8 1 7/16	35	4 ¹³ / ₁₆ 122	3 ¹⁵ / ₁₆ 100	1/2 13	3 1/2 89	1 ⁵ / ₁₆ 24	1 ³ / ₃₂ 10	1 ²⁵ / ₆₄ 35.5	1.2598 32.0	2 ¹³ / ₃₂ 61	3/8	SSB 207-20 207-22 207 207-23	SRFB 207	1.7	