

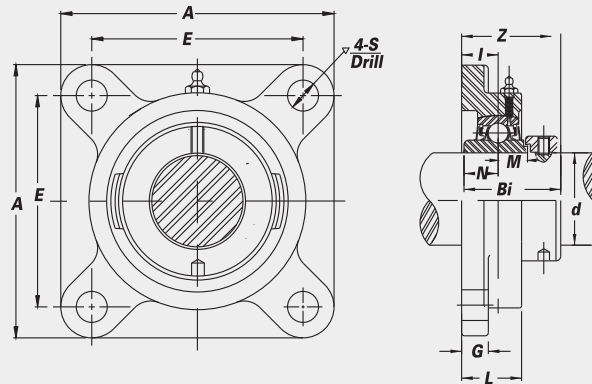
Thermoplastic 4-Bolt Flanges

With Eccentric Locking Collar Stainless Steel bearing insert-SNATF

- Overview of corrosion resistant products – pg. 48



B-type Seal



CORROSION RESISTANT

Unit No.	Shaft Dia.		Dimensions (in.) (mm)										Bolt Used (in.)	Bearing No.	Housing No.	Weight (lbs.)
	d (in.)	d (mm)	A	E	I	G	L	S	Z	Bi	N	M				
SNATF with Stainless Steel Bearing Inserts																
SNATF 204-12 204	3/4	20	3 3/8	2 1/2	23/32	17/32	1 3/32	7/16	1 3/4	1.5433	0.5000	0.6693	3/8	SNA 204-12 204	TF 204	.8
SNATF 205-14 205 205-16	7/8	25	3 3/4	2 3/4	43/64	9/16	1 3/32	7/16	1 47/64	1.6220	0.5630	0.6850	3/8	SNA 205-14 205 205-16	TF 205	.9
SNATF 206-18 206 206-19 206-20	1 1/8	30	4 1/4	3 1/4	3/4	9/16	1 1/4	7/16	1 15/16	1.8110	0.6260	0.7165	3/8	SNA 206-18 206 206-19 206-20	TF 206	1.2
SNATF 207-20 207-22 207 207-23	1 1/4	35	4 21/32	3 5/8	27/32	5/8	1 3/8	39/64	2 3/32	1.9606	0.6890	0.7402	7/16	SNA 207-20 207-22 207 207-23	TF 207	1.9
SNATF 208-24 208	1 1/2	40	5 1/8	4	29/32	21/32	1 15/32	35/64	2 9/32	2.1220	0.7480	0.8425	1/2	SNA 208-24 208	TF 208	2.4