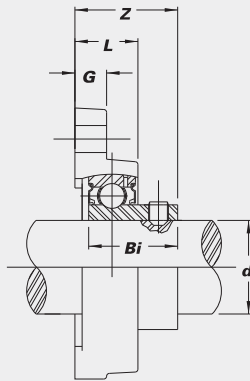


SBRFB & SARFB 3-Bolt Flange Units

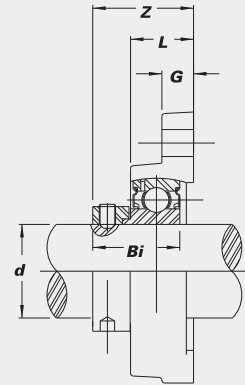
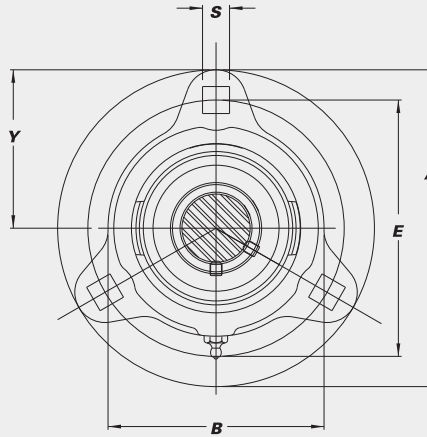


K-type Seal

- Ductile iron housing
- K-type seals
- Narrow inner race bearing



SBRFB



SARFB

SBRFB Set screw type

Unit No.	Shaft Dia.		Dimensions (in.) (mm)								Bolt Used (in)	Bearing No.	Housing No.	Weight (lbs.)	
	(in.)	(mm)	A	E	G	B	L	S	Z	Bi					Y
SBRFB 204-12 204	3/4	20	39/16	213/16	7/16	25/8	25/32	11/32	15/32	0.9843	125/32	5/16	SB 204-12G 204G	RFB 204	.8
SBRFB 205-14 205	7/8	25	33/4	3	7/16	27/8	25/32	11/32	17/32	1.0630	17/8	5/16	SB 205-14G 205G	RFB 205	.9
SBRFB 205-15 205-16	15/16	1	95	76.2	11	73	20	9	31.0	27.0	48	5/16	SB 205-15G 205-16G	RFB 205	.9
SBRFB 206-17 206-18 206	11/16	30	47/16	39/16	15/32	3	57/64	13/32	15/16	1.1811	27/32	3/8	SB 206-17G 206-18G 206G	RFB 206	1.2
SBRFB 206-19 206-20	13/16	11/4S	113	90.5	12	76	23	10	33.3	30.0	56	3/8	SB 206-19G 206-20G	RFB 206	1.2
SBRFB 207-20 207-21 207-22 207	11/4	35	413/16	315/16	1/2	31/2	15/16	13/32	17/16	1.2992	213/32	3/8	SB 207-20G 207-21G 207-22G 207G	RFB 207	1.7
SBRFB 207-23	17/16		122	100	13	89	24	10	36.5	33.0	61	3/8	SB 207-23G	RFB 207	1.7

SARFB Eccentric locking collar type

Unit No.	Shaft Dia.		Dimensions (in.) (mm)								Bolt Used (in)	Bearing No.	Housing No.	Weight (lbs.)	
	(in.)	(mm)	A	E	G	B	L	S	Z	Bi					Y
SARFB 204-12 204	3/4	20	39/16	213/16	7/16	25/8	25/32	11/32	15/16	1.2205	125/32	5/16	SA 204-12G 204G	RFB 204	.9
SARFB 205-14 205	7/8	25	33/4	3	7/16	27/8	25/32	11/32	13/8	1.2205	17/8	5/16	SA 205-14G 205G	RFB 205	1.0
SARFB 205-15 205-16	15/16	1	95	76.2	11	73	20	9	34.9	31.0	48	5/16	SA 205-15G 205-16G	RFB 205	1.0
SARFB 206-17 206-18 206	11/16	30	47/16	39/16	15/32	3	57/64	13/32	117/32	1.4055	27/32	3/8	SA 206-17G 206-18G 206G	RFB 206	1.3
SARFB 206-19 206-20	13/16	11/4S	113	90.5	12	76	23	10	38.9	35.7	56	3/8	SA 206-19G 206-20G	RFB 206	1.3
SARFB 207-20 207-21 207-22 207	11/4	35	413/16	315/16	1/2	31/2	15/16	13/32	121/32	1.5315	213/32	3/8	SA 207-20G 207-21G 207-22G 207G	RFB 207	2.0
SARFB 207-23	17/16		122	100	13	89	24	10	42.1	38.9	61	3/8	SA 207-23G	RFB 207	2.0

Interchange Page 47

STANDARD PRODUCTS