

SBLF H4 & SALF H4 Flange Units

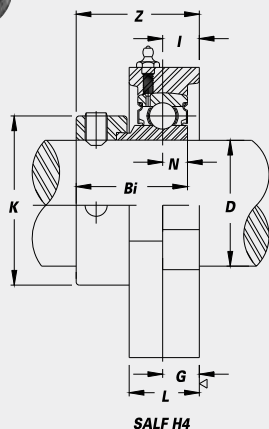


- Ductile iron housing
- Square bolt holes
- K-type seals

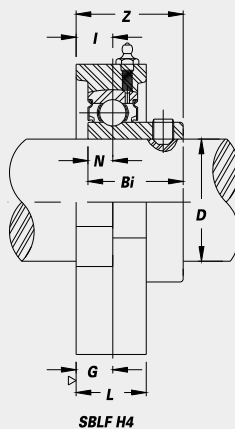
- Narrow inner race bearing
- Also available non-relubricatable — please specify



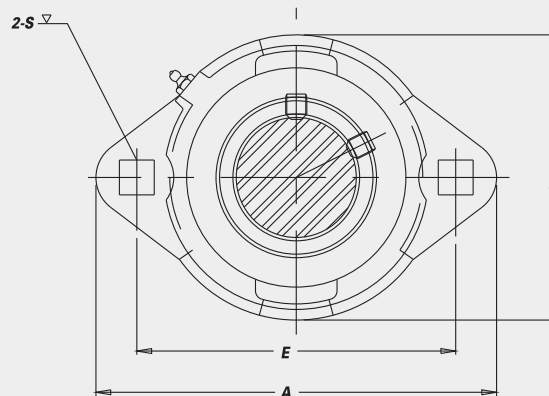
K-type Seal



SALF H4



SBLF H4



SBLF H4 Set screw type

Unit No.	Shaft Dia.		Dimensions (in.) (mm)										Bolt Used (in.)	Bearing No.	Housing No.	Weight (lbs.)
	d (in.)	d (mm)	A	E	I	G	L	S	B	Z	Bi	N				
SBLF 201-8GH4 202GH4 202-10GH4 203GH4	1/2 5/8	15 17	33/16 81	2 1/2 63.5	3/8 10	3/8 10	23/32 18	5/16 8	2 1/32 56	1 25.4	0.8661 22.0	0.2362 6.0	1/4	SB 201-8G 202G 202-10G 203G	LF 203 H4	0.6
SBLF 204-12GH4 204GH4	3/4	20	3 17/32 90	2 13/16 71.5	7/16 11	7/16 11	25/32 20	25/64 10	2 13/32 61	1 5/32 29.0	0.9843 25.0	0.2756 7.0	5/16	SB 204-12G 204G	LF 204 H4	0.7
SBLF 205-14GH4 205GH4 205-15GH4 205-16GH4	7/8 15/16 1	25	3 3/4 95	2 63/64 76.0	7/16 11	7/16 11	25/32 20	25/64 10	2 17/32 64	1 3/16 30.5	1.0630 27.0	0.2953 7.5	5/16	SB 205-14G 205G 205-15G 205-16G	LF 205 H4	0.9
SBLF 206-17GH4 206-18GH4 206GH4 206-19GH4 206-20GH4	1 1/16 1 1/8 1 3/16 1 1/4S	30	4 7/16 113	3 9/16 90.5	1 5/32 12	1 5/32 12	7/8 23	1 5/32 12	3 76	1 11/32 34.0	1.1811 30.0	0.3150 8.0	3/8	SB 206-17G 206-18G 206G 206-19G 206-20G	LF 206 H4	1.2
SBLF 207-20GH4 207-21GH4 207-22GH4 207GH4 207-23GH4	1 1/4 1 5/16 1 3/8 1 7/16	35	4 13/16 122	3 15/16 100.0	3 3/64 13	3 3/64 13	1 5/16 24	1 5/32 12	3 1/2 89	1 7/16 36.5	1.2992 33.0	0.3740 9.5	3/8	SB 207-20G 207-21G 207-22G 207G 207-23G	LF 207 H4	1.7

SALF H4 Eccentric locking collar type

Unit No.	Shaft Dia.		Dimensions (in.) (mm)										Bolt Used (in.)	Bearing No.	Housing No.	Weight (lbs.)	
	d (in.)	d (mm)	A	E	I	G	L	S	B	Z	Bi	N					K
SALF 201-8GH4 202GH4 202-10GH4 203GH4	1/2 5/8	15 17	33/16 81	2 1/2 63.5	3/8 10	3/8 10	23/32 18	5/16 8	2 1/32 56	1 1/4 31.8	1.1260 28.6	0.2362 6.0	1 1/8 29	1/4	SA 201-8G 202G 202-10G 203G	LF 203 H4	0.7
SALF 204-12GH4 204GH4	3/4	20	3 17/32 90	2 13/16 71.5	7/16 11	7/16 11	25/32 20	25/64 10	2 13/32 61	1 23/64 34.4	1.2205 31.0	0.2953 7.5	1 5/16 33	5/16	SA 204-12G 204G	LF 204 H4	0.8
SALF 205-14GH4 205GH4 205-15GH4 205-16GH4	7/8 15/16 1	25	3 3/4 95	2 63/64 76.0	7/16 11	7/16 11	25/32 20	25/64 10	2 17/32 64	1 23/64 34.4	1.2205 31.0	0.2953 7.5	1 1/2 38	5/16	SA 205-14G 205G 205-15G 205-16G	LF 205 H4	1.0
SALF 206-17GH4 206-18GH4 206GH4 206-19GH4 206-20GH4	1 1/16 1 1/8 1 3/16 1 1/4S	30	4 7/16 113	3 9/16 90.5	1 5/32 12	1 5/32 12	7/8 23	1 5/32 12	3 76	1 17/32 38.9	1.4055 35.7	0.3543 9.0	1 3/4 45	3/8	SA 206-17G 206-18G 206G 206-19G 206-20G	LF 206 H4	1.4
SALF 207-20GH4 207-21GH4 207-22GH4 207GH4 207-23GH4	1 1/4 1 5/16 1 3/8 1 7/16	35	4 13/16 122	3 15/16 100.0	3 3/64 13	3 3/64 13	1 5/16 24	1 5/32 12	3 1/2 89	1 11/16 42.7	1.5315 38.9	0.3740 9.5	2 3/16 60	3/8	SA 207-20G 207-21G 207-22G 207G 207-23G	LF 207 H4	2.0

G=Relubricatable Specify "N" for non-relubricatable units Interchange Page 47