

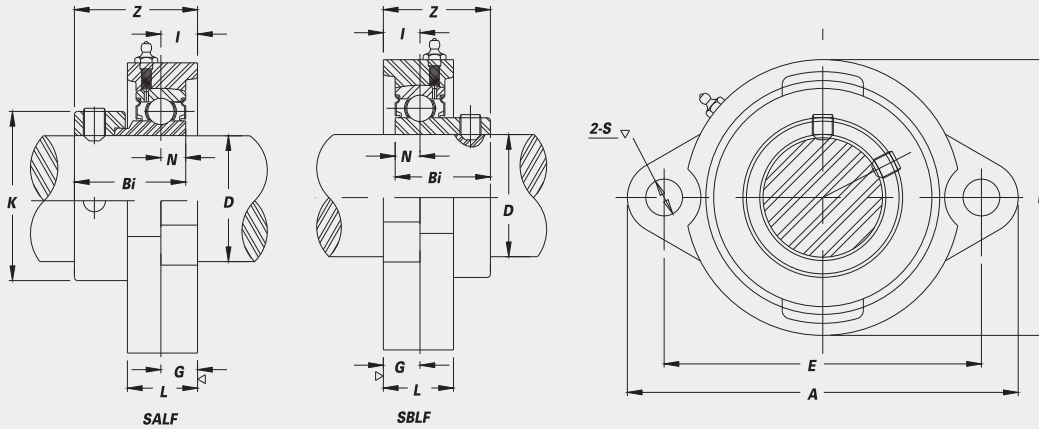
SBLF & SALF 2-Bolt Flange Units



K-type Seal

- Cast iron housing
- Round bolt holes
- K-type seals

- Narrow inner race bearing
- Also available non-relubricatable — please specify



SBLF Set screw type

Unit No.	Shaft Dia.		Dimensions (in.) (mm)										Bolt Used (in.)	Bearing No.	Housing No.	Weight (lbs.)
	d (in.)	d (mm)	A	E	I	G	L	S	B	Z	Bi	N				
SBLF 201-8G 202G 202-10G 203G	1/2 5/8	15 17	3 ³ / ₁₆ 81	2 ¹ / ₂ 63.5	3/8 10	3/8 10	2 ³ / ₃₂ 18	5/16 8	2 ⁷ / ₃₂ 56	1 25.4	0.8661 22.0	0.2362 6.0	1/4	SB 201-8G 202G 202-10G 203G	LF 203G	0.6
SBLF 204-12G 204G	3/4	20	3 ¹⁷ / ₃₂ 90	2 ¹³ / ₁₆ 71.5	7/16 11	7/16 11	2 ⁵ / ₃₂ 20	2 ⁵ / ₆₄ 10	2 ¹³ / ₃₂ 61	1 ⁵ / ₃₂ 29.0	0.9843 25.0	0.2756 7.0	5/16	SB 204-12G 204G	LF 204G	0.7
SBLF 205-14G 205G 205-15G 205-16G	7/8 15/16 1	25	3 ³ / ₄ 95	2 ⁶³ / ₆₄ 76.0	7/16 11	7/16 11	2 ⁵ / ₃₂ 20	2 ⁵ / ₆₄ 10	2 ¹⁷ / ₃₂ 64	1 ³ / ₁₆ 30.5	1.0630 27.0	0.2953 7.5	5/16	SB 205-14G 205G 205-15G 205-16G	LF 205G	0.9
SBLF 206-17G 206-18G 206G 206-19G 206-20G	1 ¹ / ₁₆ 1 ¹ / ₈ 1 ³ / ₁₆ 1 ³ / ₄ S	30	4 ⁷ / ₁₆ 113	3 ⁹ / ₁₆ 90.5	1 ⁵ / ₃₂ 12	1 ⁵ / ₃₂ 12	7/8 23	1 ⁵ / ₃₂ 12	3 76	1 ¹¹ / ₃₂ 34.0	1.1811 30.0	0.3150 8.0	3/8	SB 206-17G 206-18G 206G 206-19G 206-20G	LF 206G	1.2
SBLF 207-20G 207-21G 207-22G 207G 207-23G	1 ¹ / ₄ 1 ⁵ / ₁₆ 1 ³ / ₈ 1 ⁷ / ₁₆	35	4 ¹³ / ₁₆ 122	3 ¹⁵ / ₁₆ 100.0	3 ³ / ₆₄ 13	3 ³ / ₆₄ 13	1 ⁵ / ₁₆ 24	1 ⁵ / ₃₂ 12	3 ¹ / ₂ 89	1 ⁷ / ₁₆ 36.5	1.2992 33.0	0.3740 9.5	3/8	SB 207-20G 207-21G 207-22G 207G 207-23G	LF 207G	1.7

SALF Eccentric locking collar type

Unit No.	Shaft Dia.		Dimensions (in.) (mm)										Bolt Used (in.)	Bearing No.	Housing No.	Weight (lbs.)	
	d (in.)	d (mm)	A	E	I	G	L	S	B	Z	Bi	N					K
SALF 201-8G 202G 202-10G 203G	1/2 5/8	15 17	3 ³ / ₁₆ 81	2 ¹ / ₂ 63.5	3/8 10	3/8 10	2 ³ / ₃₂ 18	5/16 8	2 ⁷ / ₃₂ 56	1 ¹ / ₄ 31.8	1.1260 28.6	0.2362 6.0	1 ¹ / ₈ 29	1/4	SA 201-8G 202G 202-10G 203G	LF 203G	0.7
SALF 204-12G 204G	3/4	20	3 ¹⁷ / ₃₂ 90	2 ¹³ / ₁₆ 71.5	7/16 11	7/16 11	2 ⁵ / ₃₂ 20	2 ⁵ / ₆₄ 10	2 ¹³ / ₃₂ 61	1 ²³ / ₆₄ 34.4	1.2205 31.0	0.2953 7.5	1 ⁵ / ₁₆ 33	5/16	SA 204-12G 204G	LF 204G	0.8
SALF 205-14G 205G 205-15G 205-16G	7/8 15/16 1	25	3 ³ / ₄ 95	2 ⁶³ / ₆₄ 76.0	7/16 11	7/16 11	2 ⁵ / ₃₂ 20	2 ⁵ / ₆₄ 10	2 ¹⁷ / ₃₂ 64	1 ²³ / ₆₄ 34.4	1.2205 31.0	0.2953 7.5	1 ¹ / ₂ 38	5/16	SA 205-14G 205G 205-15G 205-16G	LF 205G	1.0
SALF 206-17G 206-18G 206G 206-19G 206-20G	1 ¹ / ₁₆ 1 ¹ / ₈ 1 ³ / ₁₆ 1 ³ / ₄ S	30	4 ⁷ / ₁₆ 113	3 ⁹ / ₁₆ 90.5	1 ⁵ / ₃₂ 12	1 ⁵ / ₃₂ 12	7/8 23	1 ⁵ / ₃₂ 12	3 76	1 ¹⁷ / ₃₂ 38.9	1.4055 35.7	0.3543 9.0	1 ³ / ₄ 45	3/8	SA 206-17G 206-18G 206G 206-19G 206-20G	LF 206G	1.4
SALF 207-20G 207-21G 207-22G 207G 207-23G	1 ¹ / ₄ 1 ⁵ / ₁₆ 1 ³ / ₈ 1 ⁷ / ₁₆	35	4 ¹³ / ₁₆ 122	3 ¹⁵ / ₁₆ 100.0	3 ³ / ₆₄ 13	3 ³ / ₆₄ 13	1 ⁵ / ₁₆ 24	1 ⁵ / ₃₂ 12	3 ¹ / ₂ 89	1 ¹¹ / ₁₆ 42.7	1.5315 38.9	0.3740 9.5	2 ³ / ₁₆ 60	3/8	SA 207-20G 207-21G 207-22G 207G 207-23G	LF 207G	2.0

G=Relubricatable Specify "N" for non-relubricatable units

STANDARD PRODUCTS