

# SB & CSB Bearing Inserts

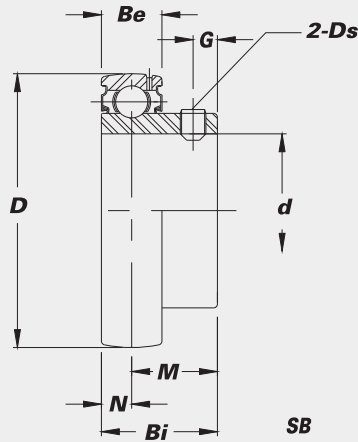


- Set screw lock
- Available relubricatable or non-relubricatable
- Narrow inner race

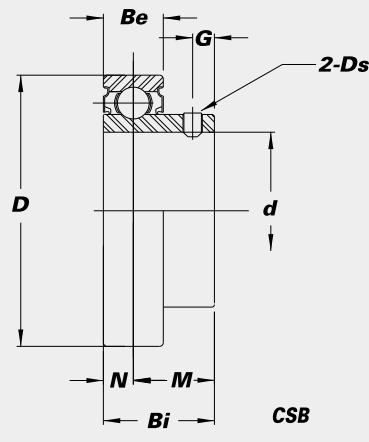
- K-type seals
- Spherical (SB) and cylindrical (CSB)



K-type Seal



SB



CSB

STANDARD PRODUCTS

Bearing No.	Bore Dia. of Bearing		Dimensions (in.) (mm)							Basic Load Rating (lbs.)	Basic Static Load Rating (lbs.)	Weight (lbs.)
	<i>d</i>	<i>d</i>	<i>Be</i>	<i>D</i>	<i>Bi</i>	<i>N</i>	<i>M</i>	<i>G</i>	<i>Ds</i>			

## SB<sub>G</sub> Relubricatable Inserts

SB 201G		12											
201-8G	1/2	15	0.4724	1.5748	0.8661	0.2362	0.6299	0.1575		10-32UNF	2,040	1,020	0.22
202-10G	5/8	17	12.0	40.0	22.0	6.0	16.0	4.0					
203G													
SB 204-12G	3/4	20	0.5512	1.8504	0.9843	0.2756	0.7087	0.1969		1/4-28UNF	2,740	1,600	0.33
204G			14.0	47.0	25.0	7.0	18.0	5.0					
SB 205-14G	7/8	25	0.5906	2.0472	1.0630	0.2953	0.7677	0.2165		1/4-28UNF	3,010	1,750	0.40
205-15G	15/16		15.0	52.0	27.0	7.5	19.5	5.5					
205G													
205-16G	1												
SB 206-17G	1 1/16	30	0.7087	2.4409	1.1811	0.3150	0.8661	0.2362		1/4-28UNF	4,200	2,430	0.68
206-18G	1 1/8		18.0	62.0	30.0	8.0	22.0	6.0					
206G													
206-19G	1 3/16												
206-20G	1 1/4S												
SB 207-20G	1 1/4	35	0.7480	2.8346	1.2992	0.3740	0.9252	0.2362		5/16-24UNF	5,535	3,340	1.06
207-21G	1 5/16		19.0	72.0	33.0	9.5	23.5	6.0					
207-22G	1 3/8												
207G													
207-23G	1 7/16												
SB 208-24G	1 1/2	40	0.8661	3.1496	1.4173	0.4331	0.9843	0.3150		5/16-24UNF	6,375	3,960	1.51
208-25G	1 9/16		22.0	80.0	36.0	11.0	25.0	8.0					
208G													

## SB<sub>N</sub> and CSB Non-Relubricatable Inserts

SB 201N		12											
201-8N	1/2	15	0.4724	1.5748	0.8661	0.2362	0.6299	0.1575		10-32UNF	2,040	1,020	0.22
202N	5/8	17	12.0	40.0	22.0	6.0	16.0	4.0					
202-10N													
203N													
SB 204-12N	3/4	20	0.5512	1.8504	0.9843	0.2756	0.7087	0.1969		1/4-28UNF	2,740	1,600	0.33
204N			14.0	47.0	25.0	7.0	18.0	5.0					
SB 205-14N	7/8	25	0.5906	2.0472	1.0630	0.2953	0.7677	0.2165		1/4-28UNF	3,010	1,750	0.40
205-15N	15/16		15.0	52.0	27.0	7.5	19.5	5.5					
205N													
205-16N	1												
SB 206-17N	1 1/16	30	0.6299	2.4409	1.1417	0.3150	0.8267	0.2362		1/4-28UNF	4,200	2,430	0.60
206-18N	1 1/8		16.0	62.0	29.0	8.0	21.0	6.0					
206N													
206-19N	1 3/16												
206-20N	1 1/4S												
SB 207-20N	1 1/4	35	0.6693	2.8346	1.2598	0.3346	0.9252	0.2362		5/16-24UNF	5,535	3,340	0.93
207-21N	1 5/16		17.0	72.0	32.0	8.5	23.5	6.0					
207-22N	1 3/8												
207N													
207-23N	1 7/16												
SB 208-24N	1 1/2	40	0.7087	3.1496	1.3386	0.3543	0.9843	0.3150		5/16-24UNF	6,375	3,960	1.32
208N			18.0	80.0	34.0	9.0	25.0	8.0					