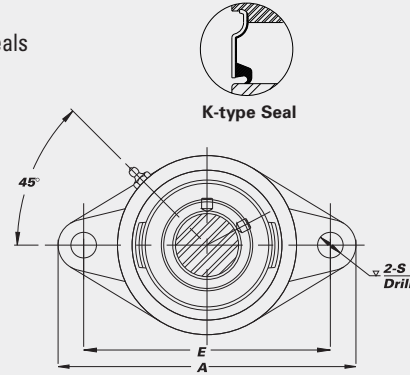
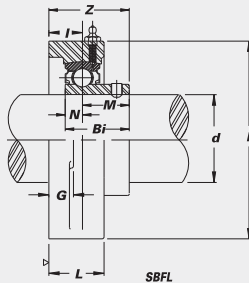
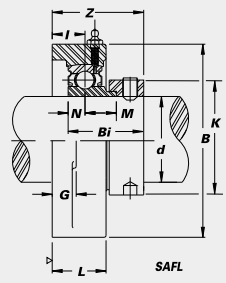


# SBFL & SAFL 2-Bolt Flange Units



- Cast iron housing
- Narrow inner race bearing

- K-type seals



## SBFL Set screw type

Unit No.	Shaft Dia.		Dimensions (in.) (mm)										Bolt Used (in.)	Bearing No.	Housing No.	Weight (lbs.)							
	d (in.)	d (mm)	A	E	I	G	L	S	B	Z	Bi	N					M						
SBFL 201		12																					
201-8	1/2																						
202		15	4 <sup>13</sup> / <sub>32</sub>	3	4 <sup>3</sup> / <sub>64</sub>	7 <sup>7</sup> / <sub>16</sub>	3 <sup>1</sup> / <sub>32</sub>	2 <sup>5</sup> / <sub>64</sub>	2 <sup>3</sup> / <sub>8</sub>	1 <sup>19</sup> / <sub>64</sub>	0.8661	0.2362	0.6299										
202-10	5/8		112	76.2	17	11	25	10	60	32.9	22.0	6.0	16.0	5/16	SB 201G								
203		17																					
204	3/4		4 <sup>7</sup> / <sub>16</sub>	3 <sup>17</sup> / <sub>32</sub>	1 <sup>9</sup> / <sub>32</sub>	7 <sup>7</sup> / <sub>16</sub>	1	2 <sup>5</sup> / <sub>64</sub>	2 <sup>3</sup> / <sub>8</sub>	1 <sup>19</sup> / <sub>64</sub>	0.9843	0.2756	0.7087	5/16	SB 204-12G	FT 203							
204-12		20	113	89.7	15	11	25	10	60	32.9	25.0	7.0	18.0		204G	FL 204				1.0			
205-14	7/8																						
205-15	1 <sup>5</sup> / <sub>16</sub>																						
205		25	5 <sup>1</sup> / <sub>8</sub>	3 <sup>57</sup> / <sub>64</sub>	5 <sup>8</sup> / <sub>8</sub>	1 <sup>1</sup> / <sub>2</sub>	1 <sup>1</sup> / <sub>16</sub>	1 <sup>5</sup> / <sub>32</sub>	2 <sup>11</sup> / <sub>16</sub>	1 <sup>25</sup> / <sub>64</sub>	1.0630	0.2953	0.7677	3/8	SB 205-14G								
205-16	1		130	98.8	16	13	27	11.9	68	35.3	27.0	7.5	19.5		205G	FL 205					1.5		
206-17	1 <sup>1</sup> / <sub>16</sub>																						
206-18	1 <sup>1</sup> / <sub>8</sub>																						
206		30	5 <sup>13</sup> / <sub>16</sub>	4 <sup>19</sup> / <sub>32</sub>	4 <sup>5</sup> / <sub>64</sub>	1 <sup>1</sup> / <sub>2</sub>	1 <sup>7</sup> / <sub>32</sub>	1 <sup>5</sup> / <sub>32</sub>	3 <sup>5</sup> / <sub>32</sub>	1 <sup>9</sup> / <sub>16</sub>	1.1811	0.3150	0.8661	3/8	SB 206-17G								
206-19	1 <sup>3</sup> / <sub>16</sub>		148	116.7	18	13	31	11.9	80	39.7	30.0	8.0	22.0		206G	FL 206						2.1	
206-20	1 <sup>1</sup> / <sub>4</sub> S																						
207-20	1 <sup>1</sup> / <sub>4</sub>																						
207-21	1 <sup>5</sup> / <sub>16</sub>																						
207-22	1 <sup>3</sup> / <sub>8</sub>																						
207		35	6 <sup>11</sup> / <sub>32</sub>	5 <sup>1</sup> / <sub>8</sub>	3 <sup>3</sup> / <sub>4</sub>	9 <sup>9</sup> / <sub>16</sub>	1 <sup>11</sup> / <sub>32</sub>	3 <sup>3</sup> / <sub>64</sub>	3 <sup>17</sup> / <sub>32</sub>	1 <sup>43</sup> / <sub>64</sub>	1.2992	0.3740	0.9252	7/16	SB 207-20G								
207-23	1 <sup>7</sup> / <sub>16</sub>		161	130.2	19	14	34	13	90	42.5	33.0	9.5	23.5		207-21G								
208	1 <sup>1</sup> / <sub>2</sub>																						
208-24		40	6 <sup>7</sup> / <sub>8</sub>	5 <sup>21</sup> / <sub>32</sub>	5 <sup>3</sup> / <sub>64</sub>	9 <sup>9</sup> / <sub>16</sub>	1 <sup>13</sup> / <sub>32</sub>	3 <sup>3</sup> / <sub>64</sub>	3 <sup>15</sup> / <sub>16</sub>	1 <sup>13</sup> / <sub>16</sub>	1.4173	0.4331	0.9843	7/16	SB 208-24G								
208			175	143.7	21	14	36	13	100	46.0	36.0	11.0	25.0		208G	FL 208							3.4

## SAFL Eccentric locking collar type

Unit No.	Shaft Dia.		Dimensions (in.) (mm)										Bolt Used (in.)	Bearing No.	Housing No.	Weight (lbs.)								
	d (in.)	d (mm)	A	E	I	G	L	S	B	Z	Bi	N					M	K						
SAFL 201-8	1/2																							
202-10	5/8		4 <sup>13</sup> / <sub>32</sub>	3	4 <sup>3</sup> / <sub>64</sub>	7 <sup>7</sup> / <sub>16</sub>	3 <sup>1</sup> / <sub>32</sub>	2 <sup>5</sup> / <sub>64</sub>	2 <sup>3</sup> / <sub>8</sub>	1 <sup>35</sup> / <sub>64</sub>	1.1260	0.2559	0.4960	1.1260	5/16	SA 201-8G								
			112	76.2	17	11	25	10	60	39.1	28.6	6.5	12.6		202-10G	FT 203							1.0	
SAFL 204-12	3/4		4 <sup>7</sup> / <sub>16</sub>	3 <sup>17</sup> / <sub>32</sub>	1 <sup>9</sup> / <sub>32</sub>	7 <sup>7</sup> / <sub>16</sub>	1	2 <sup>5</sup> / <sub>64</sub>	2 <sup>3</sup> / <sub>8</sub>	1 <sup>19</sup> / <sub>64</sub>	1.2205	0.2953	0.5512	1.3110	5/16	SA 204-12G								1.1
			113	89.7	15	11	25	10	60	29.0	31.0	7.5	14.0		204-12G	FL 204								1.1
SAFL 205-14	7/8																							
205-15	1 <sup>5</sup> / <sub>16</sub>																							
205-16	1		5 <sup>1</sup> / <sub>8</sub>	3 <sup>57</sup> / <sub>64</sub>	5 <sup>8</sup> / <sub>8</sub>	1 <sup>1</sup> / <sub>2</sub>	1 <sup>1</sup> / <sub>16</sub>	1 <sup>5</sup> / <sub>32</sub>	2 <sup>11</sup> / <sub>16</sub>	1 <sup>11</sup> / <sub>64</sub>	1.2205	0.2953	0.5513	1.5000	3/8	SA 205-14G								
			130	98.8	16	13	27	11.9	68	29.8	31.0	7.5	14.0		205-15G	FL 205								1.5
SAFL 206-17	1 <sup>1</sup> / <sub>16</sub>																							
206-18	1 <sup>1</sup> / <sub>8</sub>																							
206-19	1 <sup>3</sup> / <sub>16</sub>																							
206-20	1 <sup>1</sup> / <sub>4</sub> S		5 <sup>13</sup> / <sub>16</sub>	4 <sup>19</sup> / <sub>32</sub>	4 <sup>5</sup> / <sub>64</sub>	1 <sup>1</sup> / <sub>2</sub>	1 <sup>7</sup> / <sub>32</sub>	1 <sup>5</sup> / <sub>32</sub>	3 <sup>5</sup> / <sub>32</sub>	1 <sup>9</sup> / <sub>32</sub>	1.4055	0.3543	0.5827	1.7520	3/8	SA 206-17G								
			148	116.7	18	13	31	11.9	80	32.5	35.7	9.0	14.8		206-18G	FL 206								2.1
SAFL 207-20	1 <sup>1</sup> / <sub>4</sub>																							
207-21	1 <sup>5</sup> / <sub>16</sub>																							
207-22	1 <sup>3</sup> / <sub>8</sub>																							
207-23	1 <sup>7</sup> / <sub>16</sub>																							
			6 <sup>11</sup> / <sub>32</sub>	5 <sup>1</sup> / <sub>8</sub>	3 <sup>3</sup> / <sub>4</sub>	9 <sup>9</sup> / <sub>16</sub>	1 <sup>11</sup> / <sub>32</sub>	3 <sup>3</sup> / <sub>64</sub>	3 <sup>17</sup> / <sub>32</sub>	1 <sup>3</sup> / <sub>8</sub>	1.5315	0.3740	0.6260	2.1890	7/16	SA 207-20G								
			161	130.2	19	14	34	13	90	34.9	38.9	9.5	15.9		207-21G									