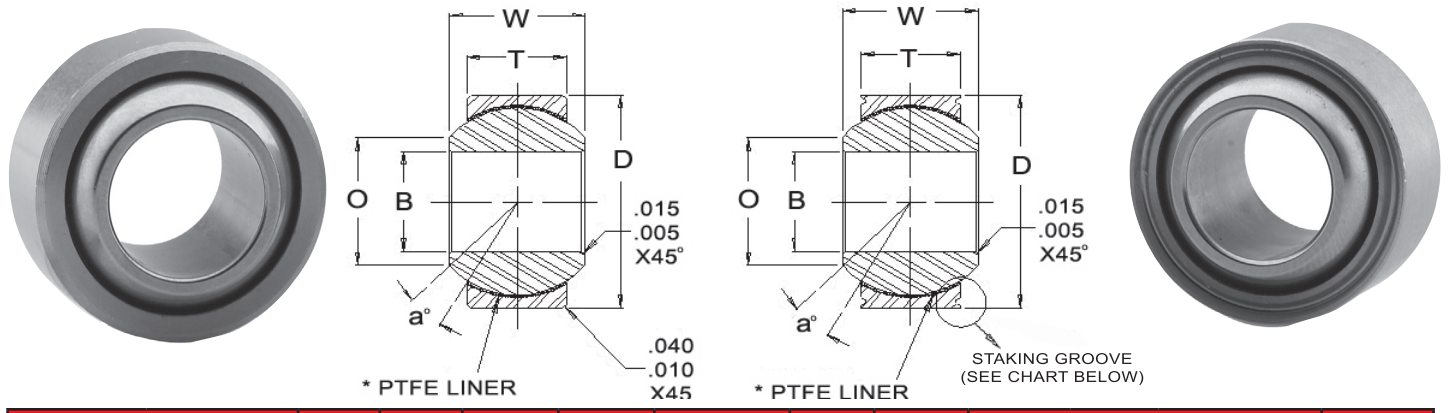


WSSX-T / WSSX-TV

WIDE SERIES SPHERICAL BEARINGS, PTFE LINED

WSSX-T / WSSX-TV
WIDE SERIES SPHERICAL BEARINGS, PTFE LINED



BEARING PART NO.		B DIA	D DIA	W WIDTH	T WIDTH	O SHOULDER DIA.	BALL DIA.	a° MIS ANGLE	LOAD RATINGS (lbs.)			APPROX. WEIGHT (lbs.)
PLAIN	GROOVED	+0.000 -0.0005	+0.000 -0.0005	+0.000 -0.002	+0.005 -0.005	REF.	REF.	MIN.	STATIC LIMIT	AXIAL	DYNAMIC OSCILLATING LOAD	
									(lbs.)	(lbs.)	(lbs.)	
WSSX3T	WSSX3TV	.1900	.6250	.437	.327	.301	.531	15	2,500	1,770	4,900	.031
WSSX4T	WSSX4TV	.2500	.6250	.437	.327	.301	.531	15	5,500	1,770	4,900	.031
WSSX5T	WSSX5TV	.3125	.6875	.437	.317	.360	.593	14	9,400	1,640	6,050	.035
WSSX6T	WSSX6TV	.3750	.8125	.500	.406	.466	.687	8	13,700	2,630	8,310	.060
WSSX7T	WSSX7TV	.4375	.9375	.562	.442	.537	.781	10	20,700	3,650	11,750	.080
WSSX8T	WSSX8TV	.5000	1.0000	.625	.505	.607	.875	9	21,400	4,970	14,950	.100
WSSX9T	WSSX9TV	.5625	1.1250	.687	.536	.721	1.000	10	26,600	5,370	18,100	.135
WSSX10T	WSSX10TV	.6250	1.1875	.750	.567	.747	1.062	12	29,000	6,130	20,250	.160
WSSX12T	WSSX12TV	.7500	1.3750	.875	.630	.845	1.250	13	37,000	7,730	26,200	.240
WSSX14T	WSSX14TV	.8750	1.6250	.875	.755	1.061	1.375	6	65,200	10,800	33,600	.350
WSSX16T	WSSX16TV	1.0000	2.1250	1.375	1.005	1.269	1.875	12	104,000	19,300	56,250	.970
WSSX24T**	WSSX24TV**	1.5000	2.9170	1.962	1.500	1.927	2.750	11	281,531	43,180	112,527	2.250

NOTES:

DIAMETER "B" AND "D" ARE CONCENTRIC WITHIN .005 T.I.R.

**WSSX24T - "B" TOLERANCE IS +.0015 / -.0005 & "W" TOLERANCE IS +.000 / -.005

BALL	RACE	LINER (STANDARD)
440 STAINLESS STEEL HEAT TREATED	17-4 PH STAINLESS STEEL HEAT TREATED	PTFE FABRIC

NO LOAD BREAKAWAY TORQUE	
BORE SIZES	TORQUE
3	.5 to 5.0 in. lbs.
4 thru 12	1.0 to 5.0 in. lbs.
14 thru 24	2.0 to 8.0 in. lbs.

STAKING GROOVE DATA				
BORE SIZES	S LAND	X GROOVE	R RAD.	P DEPTH
	+0.000 -0.010	+0.000 -0.010	+0.000 -0.010	+0.000 -0.015
3 thru 5	.020	.045	.015	.030
6 thru 10	.030	.055	.020	.040
12 thru 24	.030	.080	.020	.060

