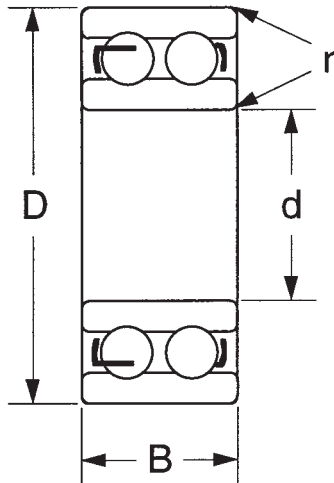
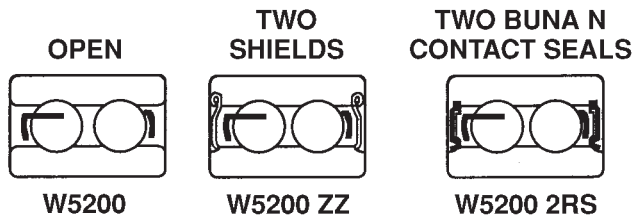




W5200/W5300 SERIES



The same construction and ball compliment as the 5200 series. Made with a slightly larger width as a replacement for other manufacturers.



Units: Inches
Metric

Part Number	Bore d	Tolerance +.0000 to minus	OD D	Tolerance +.0000 to minus	Width B	Tolerance +.0000 to minus	* fillet radii r	Basic Load Ratings lbf N		Weight lb Kg	Limiting speed of Open Bearing (rpm)	
								Dynamic Cr	Static Cor		oil	grease
W5201	.4724	.0003	1.2598	.0005	.6875	.0050	.024	2,430	1,305	.162	16,150	12,350
W5202	.5906	.0003	1.378	.0005	.7500	.0050	.024	2,632	1,586	.171	14,250	10,450
W5203	.6693	.0003	1.5748	.0005	.8125	.0050	.024	3,285	2,036	.242	12,350	9,405
W5204	.7874	.0004	1.8504	.0005	.9375	.0050	.039	4,410	2,790	.401	11,400	8,400
W5205	.9843	.0004	2.0472	.0005	.9375	.0050	.039	4,792	3,307	.441	9,310	7,000
W5206	1.1811	.0004	2.4409	.0005	1.0625	.0050	.039	6,660	4,747	.711	8,400	6,000
W5207	1.13780	.0005	2.8346	.0005	1.1890	.0050	.079	8,500	6,250	1.21	7,400	5,500
W5304	.7874	.0004	2.0472	.0005	1.000	.0050	.079	4,650	2,850	.54	12,000	9,000
W5305	.9843	.0004	2.4409	.0005	1.1250	.0050	.079	6,850	4,600	.89	10,000	8,000
W5306	1.1811	.0004	2.8346	.0005	1.3125	.0050	.079	8,900	6,200	1.41	8,000	6,000
W5307	1.3780	.0005	3.14796	.0005	1.500	.0050	.098	11,100	7,850	1.89	6,000	5,000

*Maximum fillet which corner radius of bearing will clear.