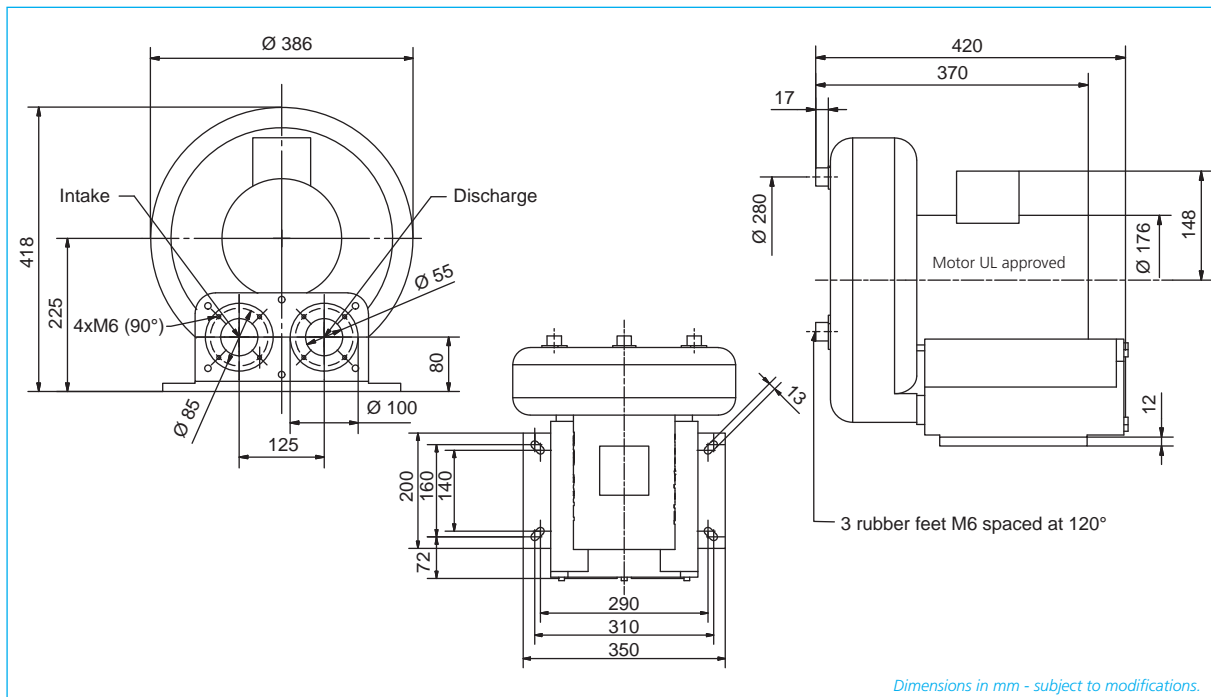



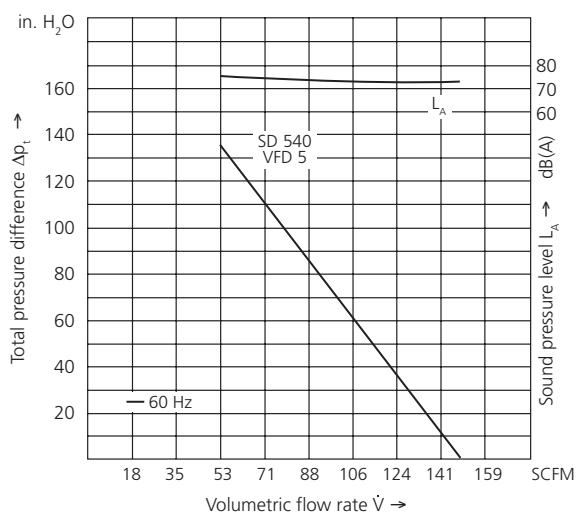
SD 540 VFD 5-L



Delivery includes inlet and outlet flanges NPT 2".

Type	Efficiency class 	Frequency	Maximum performance when used as blower		Maximum performance when used as extractor		Motor ratings				Weight (approx.) lb
			\dot{V} max. SCFM	Δp_t max. in. H ₂ O	\dot{V} max. SCFM	Δp_t max. in. H ₂ O	Rated output hp	Voltage V	Current A	RPM min ⁻¹	
SD 540 VFD 5-L	NEMA Energy Efficient	60	148	137	148	120	3,5	230/400	9,20/5,30	3480	78

Pressure



Vacuum

