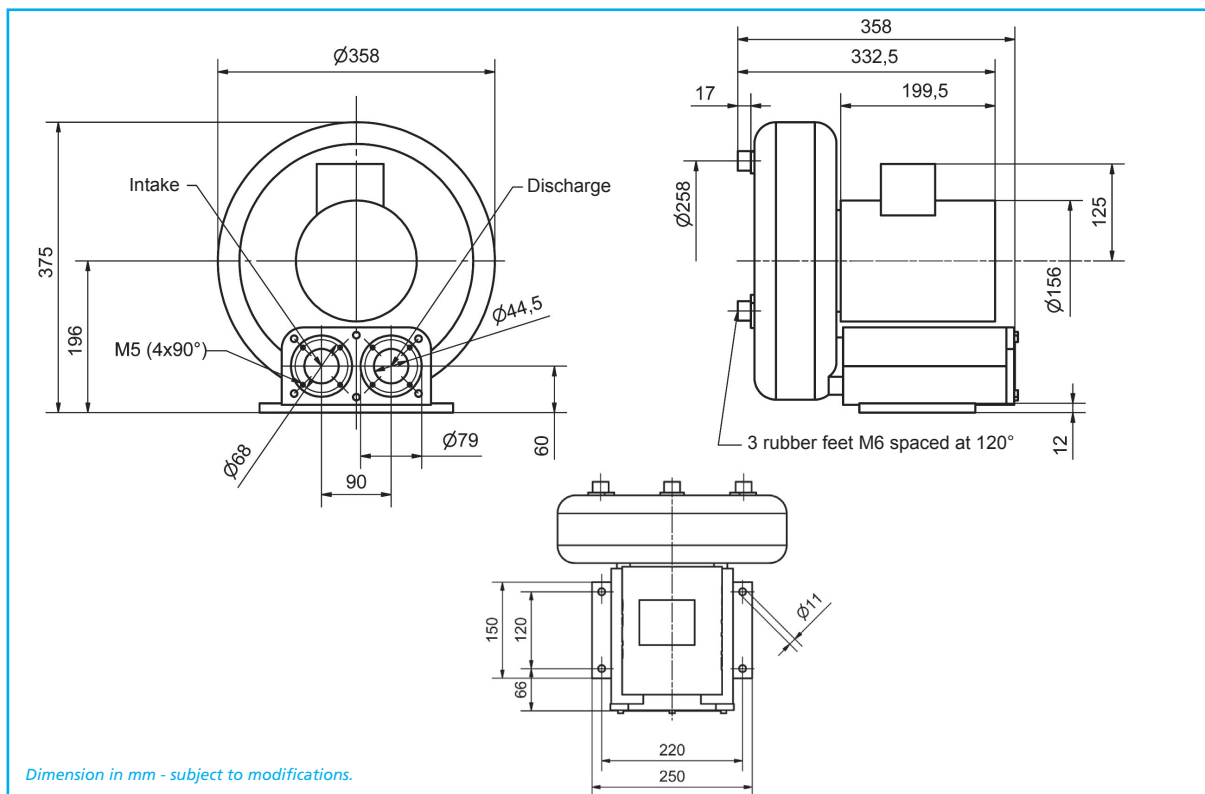
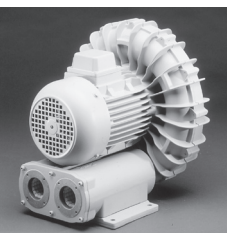


SD 42
VFD 42,
SE 42
VFD 42S



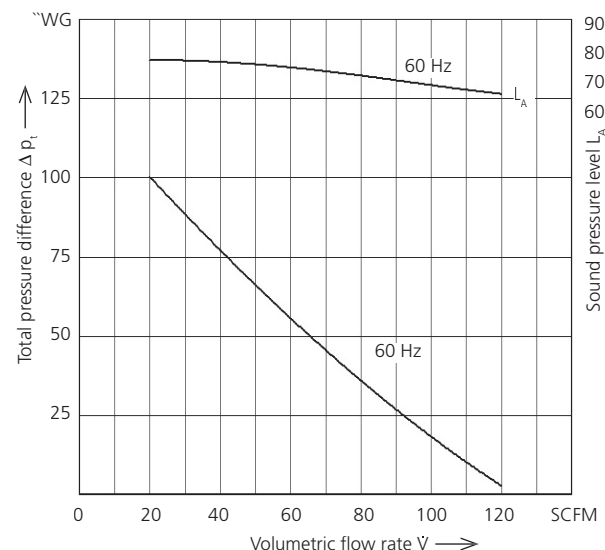
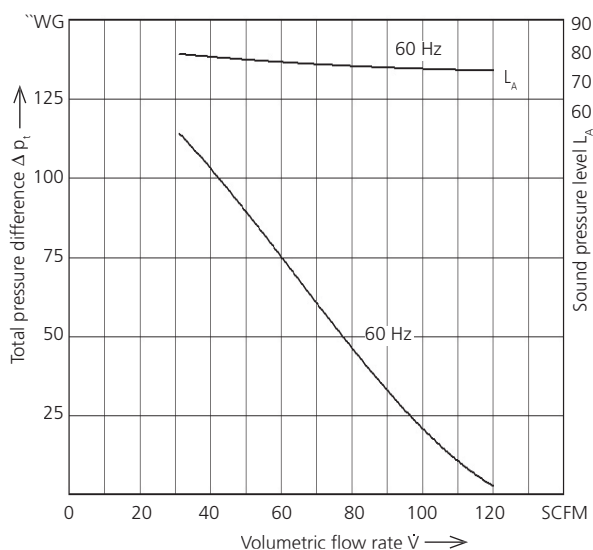
Dimension in mm - subject to modifications.

Delivery includes inlet and outlet flanges NPT 1 1/2".

Type	Maximum performance when used as blower		Maximum performance when used as extractor		Motor ratings				Capacitor	Weight	
	Frequency	\dot{V} max	Δp_i max.	\dot{V} max.	Δp_i max.	Rated output	Voltage	Current	RPM	230 V	
	Hz	SCFM	"WG	SCFM	"WG	hp	V	Amp.	min ⁻¹	$\mu\text{F/V}$	lb
SD 42 VFD 42	60	120	112	120	100	2,55	230/460	8,30/4,15	3480	-	51
SE 42 VFD 42S	60	120	112	120	100	2,68	230	12,0	3480	40/450	58

Pressure

Vacuum



Technical and constructional subject to change.

Elektor
airsystems gmbh
Richard-Hirschmann-Straße 12
73728 Esslingen/Neckar
Germany
sales@elektor.com
www.elektor.com

FE
FUJI ELECTRIC CORPORATION OF AMERICA
Park 80 West Plaza II
USA-Saddle Brook, NJ 07663
fujidc@fecoa.fujielectric.com
www.fujielectric.com