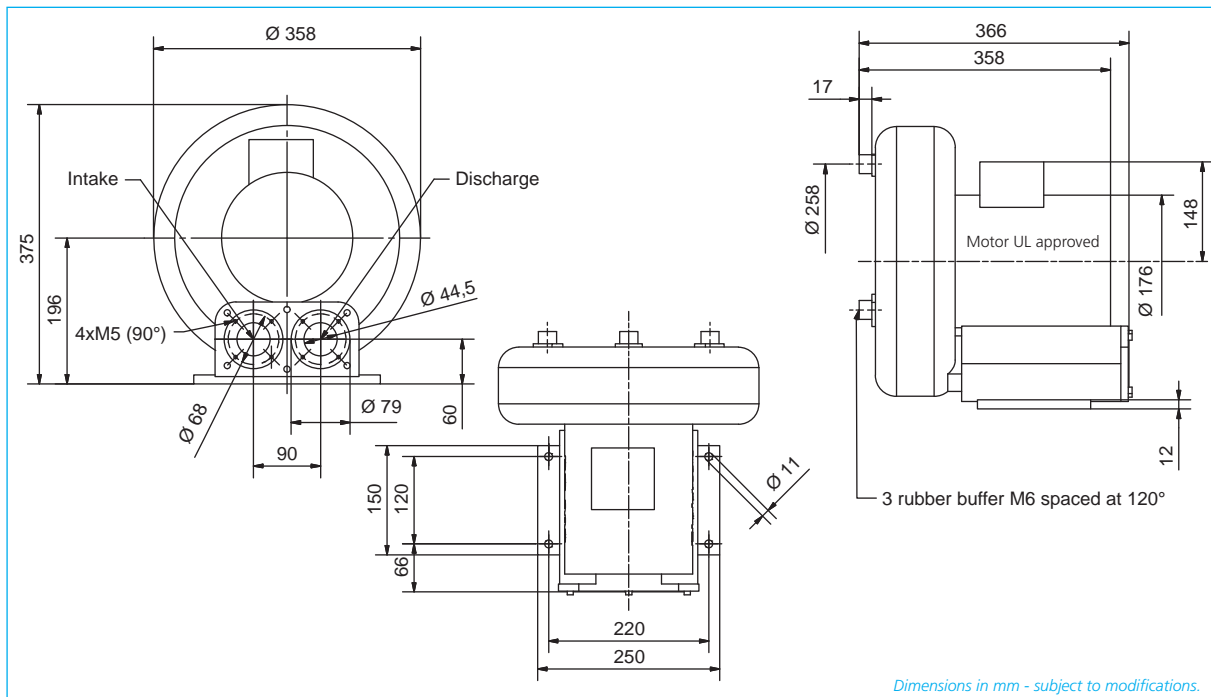



SD 420 VFD 4-L

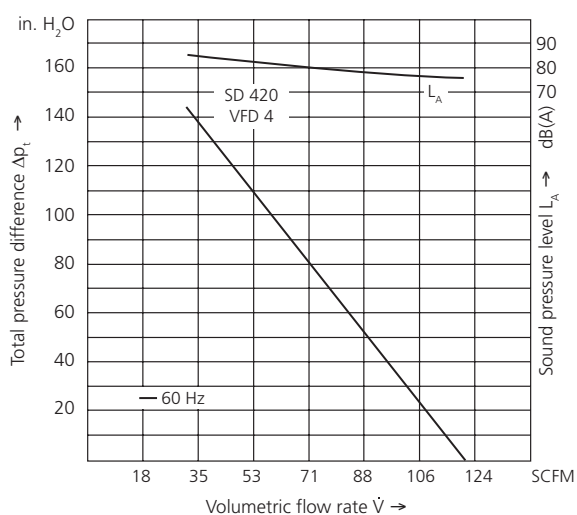


Dimensions in mm - subject to modifications.

Delivery includes inlet and outlet flanges NPT 1½".

Type	Efficiency class 	Frequency Hz	Maximum performance when used as blower		Maximum performance when used as extractor		Motor ratings				Weight (approx.) lb
			\dot{V} max. SCFM	Δp_t max. in. H ₂ O	\dot{V} max. SCFM	Δp_t max. in. H ₂ O	Rated output hp	Voltage V	Current A	RPM min ⁻¹	
SD 420 VFD 4-L	NEMA Energy Efficient	60	120	145	120	112	3,5	230/400	9,20/5,30	3480	60

Pressure



Vacuum

