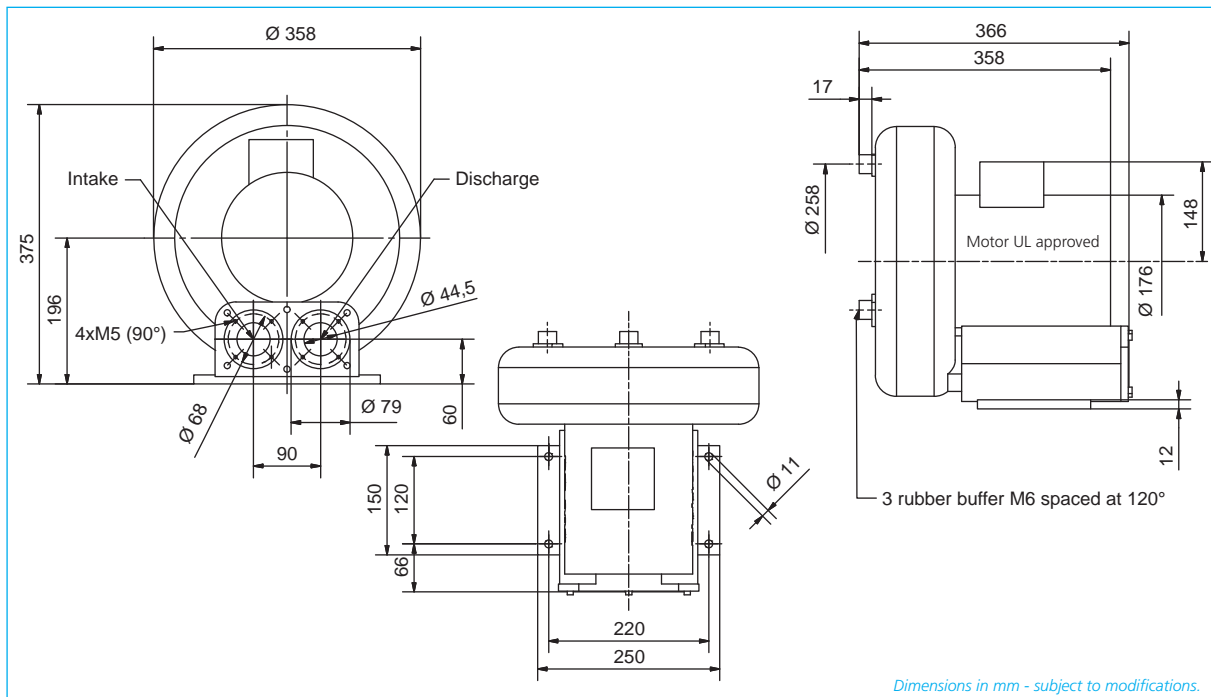



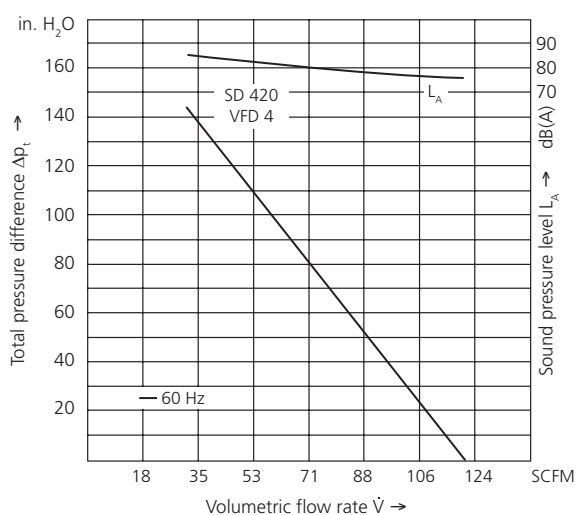
SD 420 VFD 4-H



Delivery includes inlet and outlet flanges NPT 1½".

| Type | Efficiency class  | Frequency | Maximum performance when used as blower | | Maximum performance when used as extractor | | Motor ratings | | | | Weight (approx.) lb |
|-------------------|---|-----------|---|---|--|---|--------------------|--------------|--------------|--------------------------|------------------------|
| | | | \dot{V} max. SCFM | Δp_t max. in. H ₂ O | \dot{V} max. SCFM | Δp_t max. in. H ₂ O | Rated output hp | Voltage V | Current A | RPM min ⁻¹ | |
| SD 420 VFD 4-H | NEMA Energy Efficient | 60 | 120 | 145 | 120 | 112 | 3,5 | 265/460 | 8,0/4,65 | 3480 | 60 |

Pressure



Vacuum

