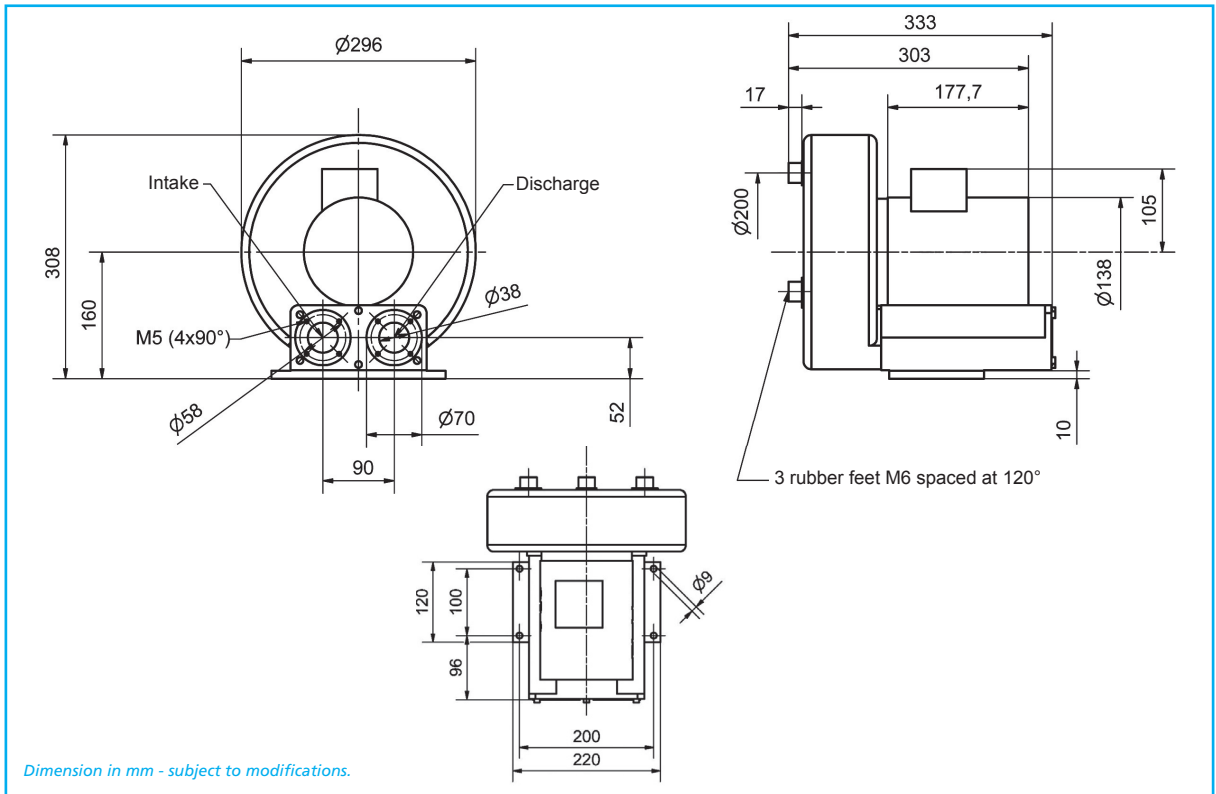


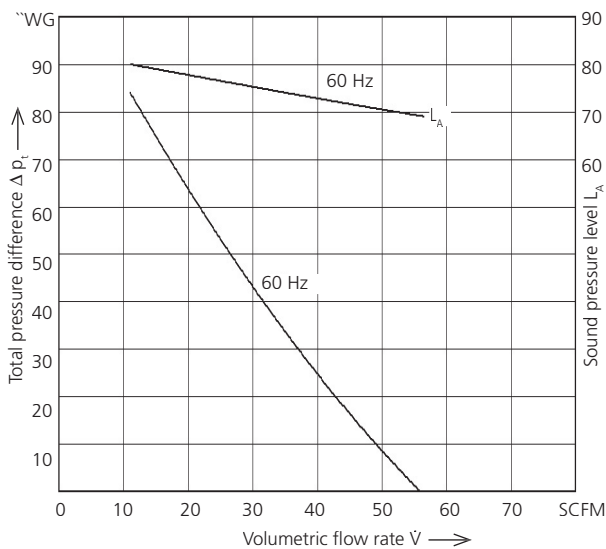
**SD 2n  
VFD 2,  
SE 2n  
VFD 2S**



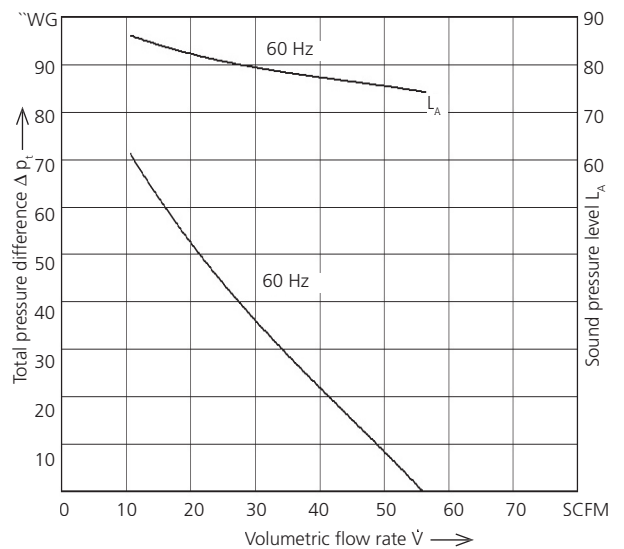
Delivery includes inlet and outlet flanges NPT 3/4".

| Type            | Maximum performance when used as blower |               | Maximum performance when used as extractor |                | Motor ratings     |              |         |           | Capacitor<br>230 V<br>μFV | Weight<br>lb |                   |
|-----------------|---|---------------|--|----------------|-------------------|--------------|---------|-----------|---------------------------|--------------|-------------------|
|                 | Frequency                               | $\dot{V}$ max | $\Delta p_t$ max.                          | $\dot{V}$ max. | $\Delta p_t$ max. | Rated output | Voltage | Current   |                           |              | RPM               |
|                 | Hz                                      | SCFM          | "WG  | SCFM           | "WG               | hp           | V       | Amp.      |                           |              | min <sup>-1</sup> |
| SD 2n<br>VFD 2  | 60                                      | 54            | 84   | 54             | 72                | 0,87         | 230/460 | 3,15/1,57 | 3430                      | -            | 33,0              |
| SE 2n<br>VFD 2S | 60                                      | 54            | 84   | 54             | 72                | 1,00         | 230     | 4,5       | 3360                      | 16/450       | 33,0              |

**Pressure**



**Vacuum**



Technical and constructional subject to change.



Richard-Hirschmann-Straße 12  
73728 Esslingen/Neckar  
Germany  
sales@elektor.com  
www.elektor.com



FUJI ELECTRIC CORPORATION OF AMERICA  
Park 80 West Plaza II  
USA-Saddle Brook, NJ 07663  
fujidc@fecoa.fujielectric.com  
www.fujielectric.com