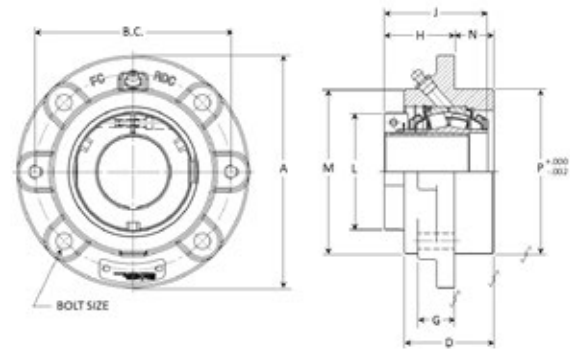


Performance Mounted Spherical Roller Bearings **SEALMASTER**®



- Rolling Elements:** Spherical Roller
- Housing:** Ductile Iron Piloted Flange Cartridge
- Self Alignment:** +/- 2 Degrees
- Lock:** Adapter
- Seal:** Felt
- Optional Seal:** Double Lip Contact
- Temperature:** -20° to 220° F



USFCE5000K Series Flange Cartridge Units - Klamploc™ Adapter Mount, Type E Mounting Dimensions

BORE DIAMETER	PART NO.	BASIC DYNAMIC RATING lb/N	DIMENSIONS inch / mm										UNIT WT. lb/kg												
			A	B.C.	D	G	H *	J	L	M	N *	P		BOLT SIZE											
1 15/16	USFCE5000K-115	23520	6 3/8	5 3/8	2 7/16	1	1 59/64	2 13/16	3 13/64	4 1/2	1 1/16	4 1/2	3/8	9.8											
2	USFCE5000K-200	104622	161.9	136.5	61.9	25.4	48.8	71.6	81.4	114.3	27.0	114.3		4.4											
2 3/16	USFCE5000K-203	28087	7 1/8	6	2 1/2	1	2 3/32	3 5/32	3 1/2	4 7/8	1 1/8	5	1/2	12.3											
		124931	181.0	152.4	63.5	25.4	53.3	80.2	88.9	123.8	28.6	127.0		5.6											
2 7/16	USFCE5000K-207	44691	7 5/8	6 1/2	2 9/16	1 1/16	2 3/8	3 19/32	4 3/32	5 3/8	1 1/8	5 1/2	1/2	15.5											
2 1/2	USFCE5000K-208	198786	193.7	165.1	65.1	27.0	60.3	91.4	104.1	136.5	28.6	139.7		7.1											
2 11/16	USFCE5000K-211	211044	222.3	190.5	65.1	23.8	62.7	99.2	114.3	158.8	31.8	161.9	5/8	9.6											
2 3/4	USFCE5000K-212														47447	8 3/4	7 1/2	2 9/16	15/16	2 15/32	3 29/32	4 1/2	6 1/4	1 1/4	6 3/8
2 15/16	USFCE5000K-215														211044	222.3	190.5	65.1	23.8	62.7	99.2	114.3	158.8	31.8	161.9
3	USFCE5000K-300	72640	260.4	219.1	79.4	36.5	77.1	115.6	139.7	181.0	33.3	187.3	3/4	35.8											
3 3/16	USFCE5000K-303														72640	10 1/4	8 5/8	3 1/8	1 7/16	3 1/32	4 35/64	5 1/5	7 1/8	1 5/16	7 3/8
3 7/16	USFCE5000K-307														323103	260.4	219.1	79.4	36.5	77.1	115.6	139.7	181.0	33.3	187.3
3 1/2	USFCE5000K-308	96050	276.2	238.1	88.9	27.0	68.3	125.8	144.9	196.9	52.4	206.4	3/4	40.2											
3 11/16	USFCE5000K-311														96050	10 7/8	9 3/8	3 1/2	1 1/16	2 11/16	4 61/64	5 45/64	7 3/4	2 1/16	8 1/8
3 15/16	USFCE5000K-315														427230	276.2	238.1	88.9	27.0	68.3	125.8	144.9	196.9	52.4	206.4
4	USFCE5000K-400																								

* For expansion bearings, the sum of dimension "H" and "N" can increase by the corresponding value in table VIII on page I-69. One expansion unit is to be used in conjunction with one non-expansion unit for applications using an adapter lock unit. Failure to utilize one expansion and one non-expansion unit is likely to result in reduced bearing performance.