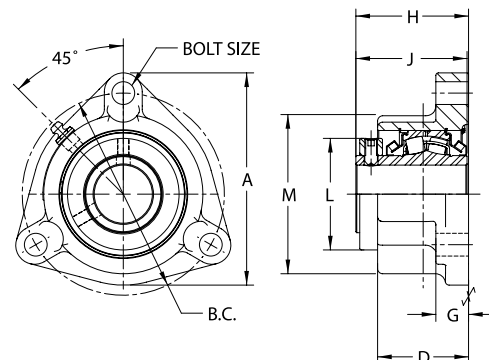




- Rolling Elements:** Spherical Roller
- Housing:** Cast Iron Three Bolt Flange
- Self Alignment:** +/- 2 Degrees
- Lock:** Setscrew
- Seal:** Felt
- Optional Seal:** Double Lip Contact
- Temperature:** -20° to 220° F



Mtd. Spherical Bearings



USF3B5000 Series Three-Bolt Flange Units - Collar Mount

Bore Diameter inch	Part No.	Basic Dynamic Rating lb/N	Dimensions inch / mm									Unit Wt. lb/kg
			A	B.C.	D	G	H *	J	L	M	Bolt Size	
1 1/8	USF3B5000-102	20368	5 1/4	4 1/2	2 1/4	25/32	2 53/64	2 3/4	2 49/64	3 15/16	3/8	6.9
1 3/16	USF3B5000-103	90597	133.4	114.3	57.2	19.8	71.8	69.9	70.2	100.0		3.13
1 1/4	USF3B5000-104											
1 7/16	USF3B5000-107	20368	5 1/4	5	2 1/4	13/16	2 53/64	2 3/4	2 49/64	3 15/16	1/2	6.4
1 1/2	USF3B5000-108	90597	133.4	127.0	57.2	20.6	71.8	69.9	70.2	100.0		2.91

*For expansion bearings, this dimension can increase by the corresponding value in table VIII on page I-69.

Metric dimensions for reference only.
 Not all parts are available from stock. Please contact customer service for availability (800) 626-2120.
 For more information on bearing capabilities outside of our standard offering, please contact Application Engineering (800) 626-2093.