

SUCSFCS & SUCSFB

SUCSFCS Piloted Flange Units All Stainless Steel



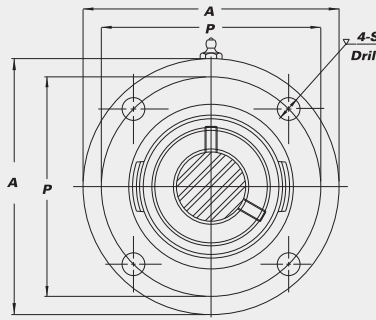
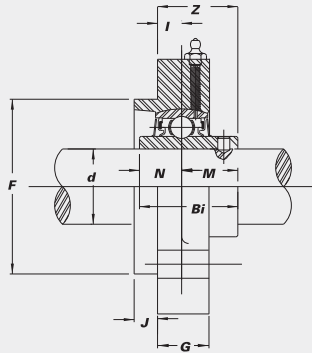
B-type Seal



L3-type Seal

B-type seal available in all styles and sizes.

L3-type seal available in SUC units only. Limited sizes. Consult IPTCI for speed limitations.



Unit No.	Shaft Dia.		Dimensions (in.) (mm)											Bolt Used (in.)	Bearing No.	Housing No.	Weight (lbs.)				
	d (in.)	d (mm)	A	P	S	J	G	F	I	Z	Bi	N	M								
SUCSFCS 206-18	1 1/8																	SUC 206-18			
206		30	4 3/8	3 3/8	3/8	1 5/64	4 9/64	3.000	2 5/64	1 9/32	1.5000	0.6260	0.8740	5/16	206	SFC 206	2.7				
206-19	1 3/16		111	92	9.5	6.0	19.5	76.2	10	32.2	38.1	15.9	22.2		206-19						
206-20	1 1/4														206-20						
SUCSFCS 207-20	1 1/4																	SUC 207-20			
207-21	1 5/16		5	4 1/8	1 5/32	3/8	4 5/64	3.375	5/16	1 5/16	1.6890	0.6890	1.0000	3/8	207-21	SFC 207	3.5				
207-22	1 3/8		127	104.8	12.0	9.5	18.0	85.7	8	33.4	42.9	17.5	25.4		207-22						
207		35													207						
207-23	1 7/16														207-23						
SUCSFCS 208-24	1 1/2																	SUC 208-24			
208		40	5 1/4	4 3/8	1 5/32	7/16	4 9/64	3.625	2 3/64	1 17/32	1.9370	0.7480	1.1890	3/8	208	SFC 208	4.4				
SUCSFCS 209-27	1 11/16																	SUC 209-27			
209-28	1 3/4		5 1/4	4 3/8	1 5/32	7/16	2 5/32	3.625	2 3/64	1 17/32	1.9370	0.7480	1.1890	3/8	209-28	SFC 209	4.6				
209		45	133	111	12.0	11.0	20.0	92.1	9	39.2	49.2	19.0	30.2		209						
SUCSFCS 210-31	1 15/16																	SUC 210-31			
210		50	6 3/32	5 1/8	3 5/64	1 5/32	2 5/32	4.250	5/16	1 19/32	2.0315	0.7480	1.2835	7/16	210	SFC 210	6.0				
210-32	2S		155	130	14.0	12.0	20.0	108.0	8	40.6	51.6	19.0	32.6		210-32						

SUCSFB 3-Bolt Flange Bracket Units All Stainless Steel



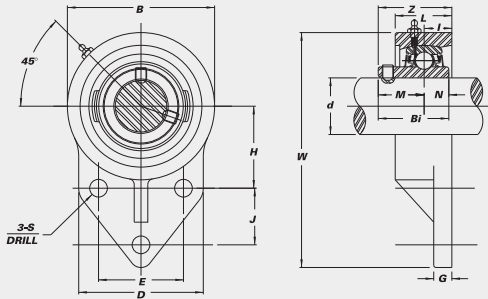
B-type Seal



L3-type Seal

B-type seal available in all styles and sizes.

L3-type seal available in SUC units only. Limited sizes. Consult IPTCI for speed limitations.



Unit No.	Shaft Dia.		Dimensions (in.) (mm)											Bolt Used (in.)	Bearing No.	Housing No.	Weight (lbs.)					
	d (in.)	d (mm)	W	B	D	L	S	G	H	J	E	I	Z					Bi	N	M		
SUCSFB 201-8	1/2																		SUC 201-8			
202-10	5/8		4 1/4	2 1/2	2 3/8	1	2 5/64	5/16	1 11/16	7/8	1 1/2	5/8	1 23/64	1.2205	0.5000	0.7205	5/16	20	SFC 204	1.4		
SUCSFB 204-12	3/4		108	64	60	25	9.9	8	43.3	22.2	38.1	16	34.3	31.0	12.7	18.3		204				
204		20																SUC 204-12				
SUCSFB 205-14	7/8																		SUC 205-14			
205		25	4 3/4	2 3/4	2 1/2	1 1/8	2 5/64	3/8	1 13/16	1 1/8	1 5/8	2 1/32	1 27/64	1.3386	0.5630	0.7756	5/16	205	SFC 205	1.9		
205-16	1		121	70	64	29	9.9	9.5	46.0	28.6	41.3	16.5	36.2	34.0	14.3	19.7		205-16				
SUCSFB 206-18	1 1/8																		SUC 206-18			
206		30	5 3/8	3 1/4	2 3/4	1 1/4	2 5/64	3/8	2 1/16	1 1/4	1 7/8	4 5/64	1 37/64	1.5000	0.6260	0.8740	5/16	206	SFC 206	2.4		
206-19	1 3/16		137	83	70	32	9.9	9.5	52.4	31.8	47.6	18	40.2	38.1	15.9	22.2		206-19				
206-20	1 1/4																	206-20				
SUCSFB 207-20	1 1/4																		SUC 207-20			
207-21	1 5/16		6 1/8	3 3/4	3 1/4	1 7/16	3 4/64	1/2	2 3/8	1 1/4	2	5 3/64	1 53/64	1.6890	0.6890	1.0000	7/16	207-21	SFC 207	3.8		
207-22	1 3/8		156	95	83	37	13.1	13	60.3	31.8	50.8	21	46.4	42.9	17.5	25.4		207-22				
207		35																207				
207-23	1 7/16																	207-23				
SUCSFB 210-31	1 15/16																		SUC 210-31			
210		50	7 1/2	4 5/8	4	1 1/2	3 3/64	1/2	2 15/16	1 5/8	2 1/4	5 3/64	2 5/32	2.0315	0.7480	1.2835	7/16	210	SFC 210	6.0		
210-32	2S		191	118	102	38	13.1	13	74.6	41.3	69.9	21	54.6	51.6	19.0	32.6		210-32				

CORROSION RESISTANT