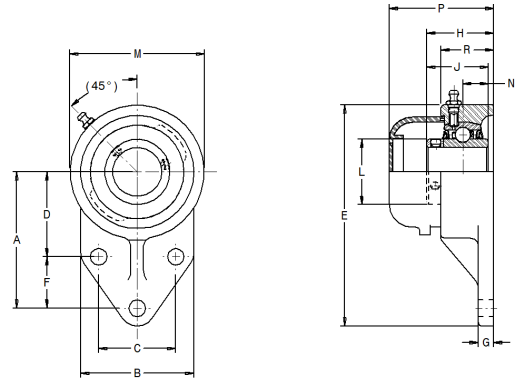


SS Gold™ Mounted Ball Bearings **SEALMASTER**®



Duty: Standard
Housing: 316 Passivated Stainless Steel Flange Bracket
Self-Alignment: +/- 2 Degrees
Lock: Setscrew
Seal: HPS
Temperature: -20° to 220°F
Grease: H1 Food Grade Grease



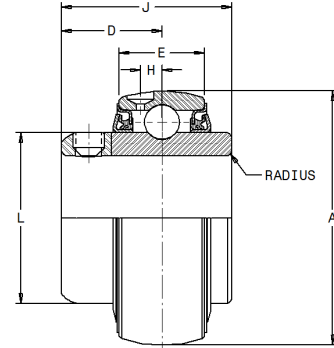
CRFBS-SS Series Flange Bracket Setscrew Locking

BORE DIAMETER inch	PART No	BEARING INSERT No.	BASIC DYNAMIC RATING lb	DIMENSIONS inch														UNIT Wt. lb	OPEN CAP	CLOSED CAP	
				A	B	C	D	E	F	G	H	J	L	M	N	P	R				BOLT SIZE
3/4	CRFBS-SS12	SS-12	2219	3	2 3/8	1 1/2	1 11/16	4 1/4	7/8	5/16	1 11/32	1 7/32	1 3/16	2 1/2	1/2	2 1/4	1 1/32	3/8	1.30	ECO-12	ECC-12
1	CRFBS-SS16	SS-16	2380	3 3/8	2 1/2	1 5/8	1 13/16	4 3/4	1 1/8	3/8	1 1/2	1 3/8	1 3/8	2 3/4	9/16	2 5/32	1 9/64	3/8	2.10	ECO-16	ECO-16
1 3/16	CRFBS-SS19	SS-19	3724	3 3/4	2 3/4	1 7/8	2 1/16	5 3/8	1 1/4	3/8	1 5/8	1 1/2	1 19/32	3 1/4	5/8	2 17/32	1 9/32	3/8	3.00	ECO-19	ECC-19
1 1/4	CRFBS-SS20R	SS-20R																		ECO-20R	
1 7/16	CRFBS-SS23	SS-23	4915	4 1/4	3 1/4	2	2 3/8	6 1/8	1 1/4	1/2	1 7/8	1 11/16	1 55/64	3 3/4	11/16	2 25/32	1 15/32	1/2	3.10	ECO-23	ECC-23

1 1/2 Not Available



Duty: Standard
Lock: Setscrew
Seal: HPS
Temperature: -20° to 220°F



SS Series Insert Setscrew Locking

BORE DIAMETER inch	PART No.	BASIC DYNAMIC RATING lb	DIMENSIONS inch								MAX RAD. TO CLEAR	SETScrew TAP	UNIT Wt. lb
			A	D	E	G	H	J	L				
3/4	SS-12	2219	1.8504	23/32	5/8	3/16	9/64	1 7/32	1 3/16	.040	1/4-28	.5	
1	SS-16	2380	2.0472	13/16	11/16	7/32	11/64	1 3/8	1 3/8	.040	1/4-28	.6	
1 3/16	SS-19	3724	2.4409	7/8	7/8	7/32	7/32	1 1/2	1 19/32	.040	1/4-28	1.0	
1 1/4	SS-20R												
1 7/16	SS-23	4915	2.8346	1	15/16	1/4	1/4	1 11/16	1 55/64	.040	5/16-24	1.5	
1 1/2	SS-24	6239	3.1496	1 3/16	1 3/32	5/16	19/64	1 15/16	2 1/16	.062	5/16-24	1.9	