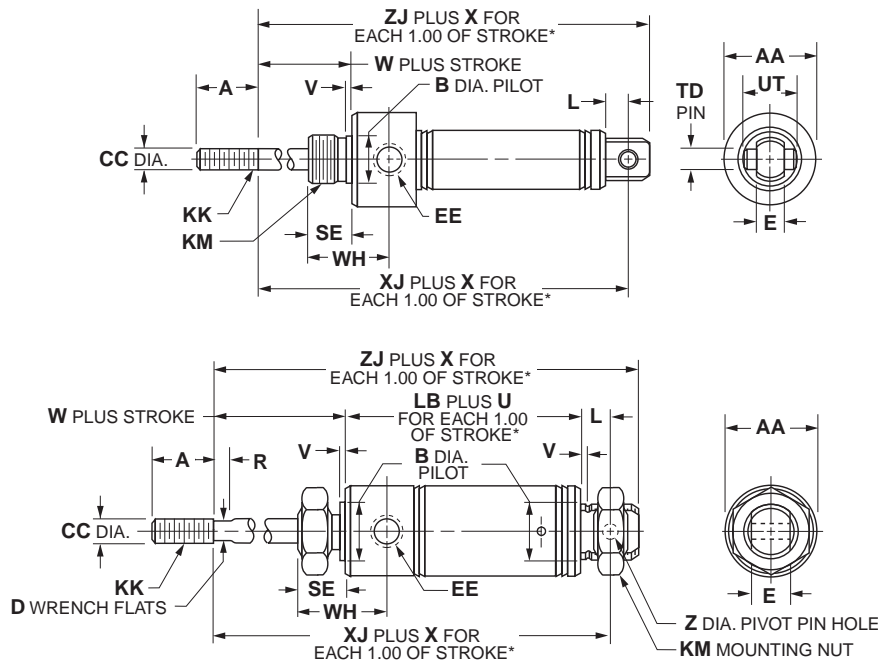


Mounting Style RP

Pivot and Nose Mount, Spring Extended



Bore sizes
5/16" *
7/16"
3/4"

* No mounting nuts

Bore sizes
9/16" *
7/8" *
1-1/16" *
1-1/4"
1-1/2" *
1-3/4"
2" *

* No mounting nuts

Bore size	SR	SRM	Std. stroke (in)	Max. stroke (in)	SS rod std	A	AA	B	CC	D	E	EE	KK
5/16"	•		1/2, 1, 1-1/2, 2, 2-1/2, 3	4	✓	0.38	0.50 SQ.	–	0.125	–	0.25	#10-32	#5-40 UNC
7/16"	•		1/2, 1, 1-1/2, 2, 3	6	✓	0.50	0.74	0.437	0.188	–	0.31	#10-32	#10-32 UNF
9/16"	•	•	1/2, 1, 1-1/2, 2, 3	6	✓	0.50	0.62	0.437	0.188	–	0.31	#10-32	#10-32 UNF
3/4"	•	•	1/2, 1, 2, 3, 4	6	✓	0.50	0.86	0.624	0.250	–	0.38	1/8 NPTF	1/4-28 UNF
7/8"	•		1/2, 1, 2, 3, 4	6	✓	0.50	0.93	0.624	0.250	–	0.38	1/8 NPTF	1/4-28 UNF
1-1/16"	•	•	1/2, 1, 1- 1/2, 2, 3, 4	6	✓	0.50	1.12	0.624	0.312	0.25	0.38	1/8 NPTF	5/16-24 UNF
1-1/4"	•	•	1, 2, 3, 4	6	✓	0.75	1.34	0.749	0.437	0.38	0.50	1/8 NPTF	7/16-20 UNF
1-1/2"	•	•	1, 2, 3, 4	6	✓	1.25	1.56	0.749	0.437	0.38	0.62	1/8 NPTF	7/16-20 UNF
2"	•	•	–	4		.88	2.08	1.374	0.625	0.50	0.75	1/4 NPTF	1/2-20 UNF

Bore size	KM	L	LB	R	SE	TD	U	UT	V	W	WH	X	XJ			ZJ	
													SR	SRM	Z	SR	SRM
5/16"	3/8-24	0.19	–	–	0.31	–	–	–	–	0.31	0.47	1.25	1.88	–	–	2.04	–
7/16"	7/16-20	0.25	–	–	0.38	0.156	–	0.50	0.05	0.38	0.72	1.44	2.38	–	–	2.62	–
9/16"	7/16-20	0.25	–	–	0.38	–	–	–	0.06	0.38	0.78	2.62	2.28	2.53	0.157	2.47	2.72
3/4"	5/8-18	0.34	–	–	0.50	0.250	–	0.75	0.09	0.50	0.97	2.69	2.44	2.69	–	2.72	2.97
7/8"	5/8-18	0.34	–	–	0.50	0.250	–	0.75	0.09	0.50	0.97	2.56	2.63	–	–	2.91	–
1-1/16"	5/8-18	0.34	–	0.12	0.50	0.250	–	0.75	0.09	0.62	1.06	2.81	2.78	3.03	–	3.06	3.31
1-1/4"	3/4-16	0.41	2.47	0.25	0.62	–	1.81	–	0.09	0.88	1.38	2.81	3.78	3.91	0.251	4.16	4.28
1-1/2"	3/4-16	0.50	–	0.25	0.62	0.375	–	1.00	0.09	0.88	1.25	3.00	3.88	4.13	–	4.25	4.50
2"	1-1/4 -12	0.56	–	0.38	0.81	–	–	–	0.12	1.19	1.47	–	■	★	0.376	▲	◆

■ 8.05" for 1" stroke, 11.05" for 2" stroke, 13.28" for 3" stroke, 17.28" for 4" stroke*

▲ 8.50" for 1" stroke, 11.50" for 2" stroke, 13.72" for 3" stroke, 17.72" for 4" stroke*

* To determine lengths for half inch stroke increments, determine length for next highest whole number stroke and subtract one half inch.