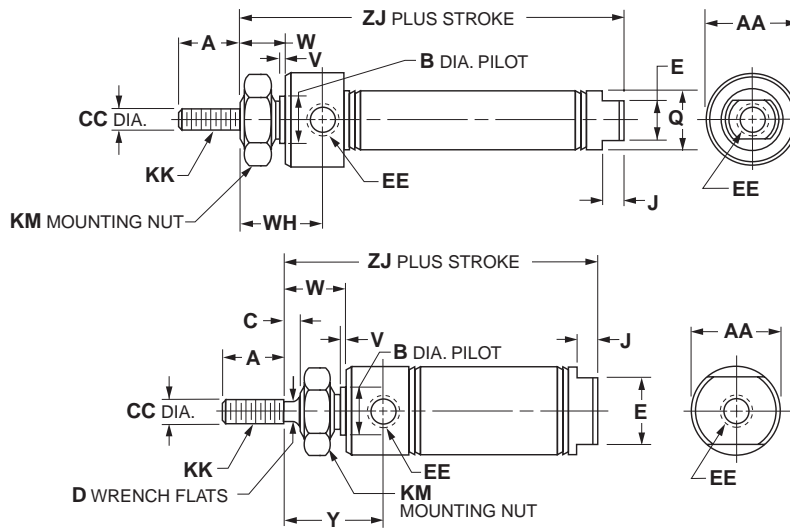


Mounting Style D

Nose Mount, Double Acting



Bore sizes
5/16"
7/16"
3/4"

Bore sizes
9/16"
7/8"
1-1/16"
1-1/4"
1-1/2"
1-3/4"
2" *
2-1/2" *
3" *

* No mounting nuts

B
 Round Body Cylinders
 Actuator Products

Bore size	SR	SRM	SRD SRDM	Std. stroke (in)	Max. stroke (in)	SS rod std	A	AA	B	C	CC
5/16"	•			1/2, 1, 1-1/2, 2, 2-1/2, 3, 4	4	✓	0.38	0.50 SQ.	–	–	0.125
7/16"	•			1/2, 1, 1-1/2, 2, 3, 4	12	✓	0.50	0.74	0.437	–	0.188
9/16"	•	•	•	1/2, 1, 1-1/2, 2, 3, 4	12	✓	0.50	0.62	0.437	–	0.188
3/4"	•	•	•	1/2, 1, 2, 2-1/2, 3, 4, 5, 6, 8, 10	12	✓	0.50	0.86	0.624	–	0.250
7/8"	•			1/2, 1, 2, 3, 4, 5, 6	12	✓	0.50	0.93	0.624	–	0.250
1-1/16"	•	•	•	1/2, 1, 1-1/2, 2, 2-1/2, 3, 4, 5, 6, 8, 10, 12	12	✓	0.50	1.12	0.624	0.12	0.312
1-1/4"	•	•		1, 2, 3, 4, 5, 6	12	✓	0.75	1.34	0.749	0.25	0.437
1-1/2"	•	•	•	1/2, 1, 2, 3, 4, 5, 6, 8, 10, 12	12	✓	0.75	1.56	0.749	0.25	0.437
1-3/4"	•	•		1/2, 1, 1-1/2, 2, 2-1/2, 3, 4, 5, 6	12		0.88	1.84	1.031	0.31	0.500
2"	•	•	•	–	12		0.88	2.08	1.374	0.38	0.625
2-1/2"	•	•		–	12		0.88	2.62	1.500	0.38	0.625
3"	•			–	12		1.25	3.16	1.630	0.38	0.750

Bore size	D	E	EE	J	KK	KM	Q	V	W	WH	Y	ZJ	
												SR	SRM
5/16"	–	–	#10-32	–	#5-40 UNC	3/8-24	0.36	–	0.31	0.47	–	1.64	–
7/16"	–	0.38	#10-32	0.19	#10-32 UNF	7/16-20	0.50	0.05	0.38	0.72	–	2.12	–
9/16"	–	0.50	#10-32	0.19	#10-32 UNF	7/16-20	–	0.06	0.38	0.78	–	2.28	2.53
3/4"	–	0.62	1/8 NPTF	0.19	1/4-28 UNF	5/8-18	0.81	0.09	0.50	0.97	–	2.97	2.97
7/8"	–	0.62	1/8 NPTF	0.19	1/4-28 UNF	5/8-18	–	0.09	0.50	0.97	–	2.94	–
1-1/16"	0.25	0.88	1/8 NPTF	0.19	5/16-24 UNF	5/8-18	–	0.09	0.62	–	1.19	3.25	3.41
1-1/4"	0.38	0.88	1/8 NPTF	0.25	7/16-20 UNF	3/4-16	–	0.09	0.88	–	1.62	4.00	4.03
1-1/2"	0.38	0.88	1/8 NPTF	0.25	7/16-20 UNF	3/4-16	–	0.09	0.88	–	1.50	3.69	3.94
1-3/4"	7/16	1.25	1/4 NPTF	0.25	1/2-20 UNF	1-14	–	0.09	1.06	1.63	–	4.69	4.69
2"	0.50	1.25	1/4 NPTF	0.31	1/2-20 UNF	1-1/4-12	–	0.12	1.19	–	1.84	4.69	4.97
2-1/2"	1/2	1.75	1/4 NPTF	0.31	1/2-20 UNF	1-3/8-12	–	0.13	1.19	–	1.84	4.69	4.69
3"	5/8	2.00	3/8 NPTF	0.31	5/8-18 UNF	1-1/2-12	–	0.19	1.38	–	2.09	5.25	–

