

CORROSION RESISTANT STAND-OFF SERIES MOUNTED BEARING UNITS

IPTCI Bearings introduces the new Stand-Off Series. These all-stainless mounted units are designed with extended mounting pads to reduce housing-to-mounting surface contact and create approximately 1/2" of clearance underneath the bearing unit.*

* This clearance applies to all styles and sizes. Note: The space behind the insert is larger than 1/2"

IPTCI

BEARINGS



B-type Seal

All units are shown with SUC stainless inserts, the Stand-Off Series is also available with stainless eccentric locking collar inserts, called SNA.

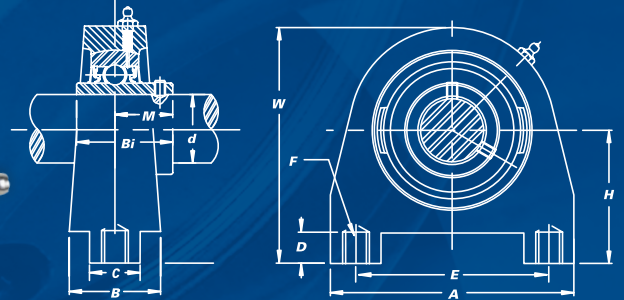
Balls & Rings	440 Stainless Steel
Seal	Silicone Rubber
Seal Frame & Slinger	302 Stainless Steel
Retainer	302 Stainless Steel
Set Screws	410 Stainless Steel
Lubrication	H-1 Food Grade Grease
Housing	304 Stainless Steel



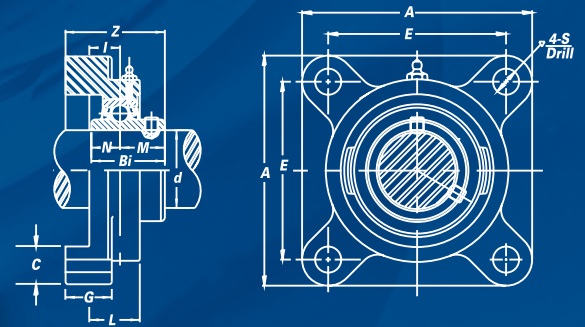
L3-type Seal

L-3 type seal available in limited sizes for SUC and SNA. Consult IPTCI for availability and speed limitations.

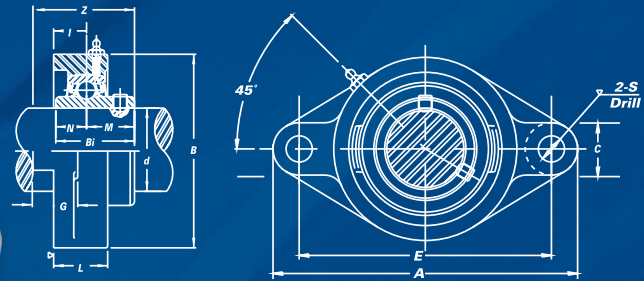
TAPPED BASE PILLOW BLOCK SUCSOPA



4-BOLT FLANGE SUCSOF



2-BOLT FLANGE SUCSOFL



3-BOLT FLANGE BRACKET SUCSOFB

