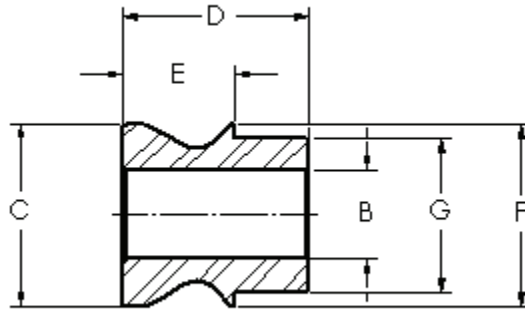


**MATERIAL**  
17-4PH STAINLESS STEEL



**HB**  
**HIGH MISALIGNMENT BUSHINGS**

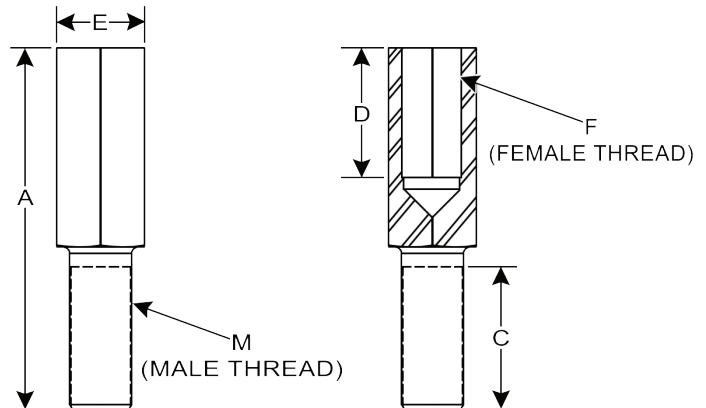
PART NUMBER	B	C	D	E	F	G	MISALIGN ANGLE	ROD END & AIN SERIES BEARING SIZE
8-6HB	.3750	.645	.627	.342	.667	.499	50°	8
10-8HB	.5000	.840	.900	.530	.795	.624	58°	10
10-8HB-2	.5000	.840	1.620	1.250	.795	.624	58°	10
12-8HB	.5000	.995	.900	.475	.930	.749	60°	12
12-10HB	.6250	.995	.900	.475	.930	.749	48°	12
14-8HB	.5000	1.040	1.055	.625	1.035	.874	46°	RSMX14T JMX14T-770 KMX14
14-10HB	.6250	1.050	1.055	.625	1.035	.874	44°	
14-12HB	.7500	1.050	1.242	.812	1.035	.874	46°	
16-10HB	.6250	1.245	1.497	.817	1.225	.999	66°	16
16-10HB-2	.6250	1.135	1.370	.690	1.225	.999	66°	16
16-12HB	.7500	1.135	1.370	.690	1.225	.999	60°	16

- NOTES:
1. ALL DIMENSIONS ARE IN INCHES.
  2. MISALIGNMENT BUSHINGS INCREASE MISALIGNMENT ANGLE AND REDUCE HOLE SIZES IN ROD ENDS AND SPHERICAL BEARINGS.
  3. ALL BUSHINGS ARE SOLD IN PAIRS.
  4. MISALIGNMENT BUSHINGS DO NOT FIT SJM & PMX SERIES ROD ENDS.

**LINKAGE ADJUSTER**



**MATERIALS**  
LOW CARBON STEEL  
ZINC PLATED  
CHROMATE TREATED



PART NO.	M THREAD	F THREAD	A LENGTH	C LENGTH	D LENGTH	E HEX
	UNF 3A	UNF 2B	+ .015 - .015	+ .062 - .031	+ .062 - .031	+ .005 - .005
ADJUSTERLADDER	3/4-16 LH	3/4-16 RH	4.125	1.625	1.562	1.000
ADJUSTERLADDER2	3/4-16 RH	3/4-16 LH	4.125	1.625	1.562	1.000