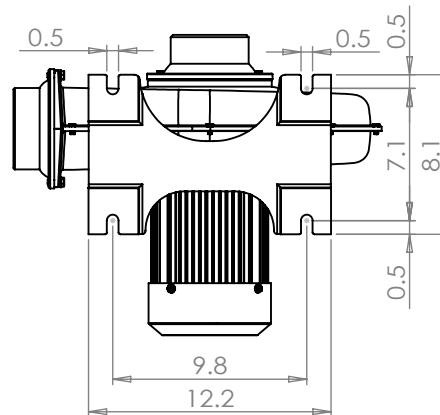
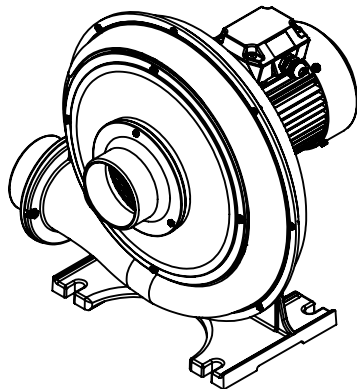
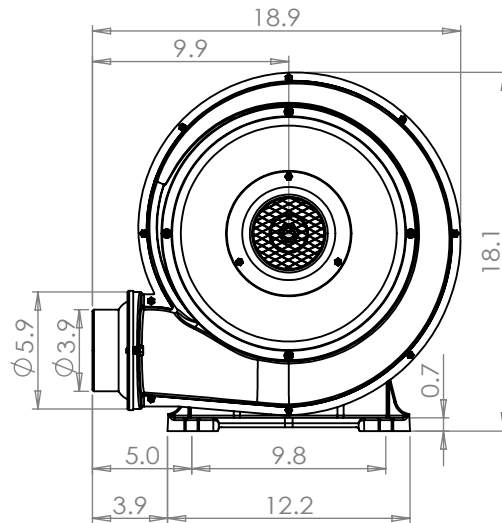
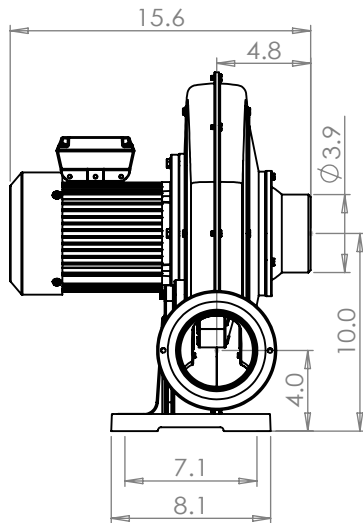


Direct Drive Turbo Blower

Unit: Inch



Specifications

Model	FDC-010A-7W
Phase	3
Voltage	208-240 / 415-480
Frequency (Hz)	60
Rated Output (HP)	1.0
Rated Current (Amps)	2.8 / 1.4
Max. Pressure (in. H ₂ O)	8.9
Max. Airflow (CFM)	562.5
Noise Level dB (A)	86.7
Weight (lbs.)	46.3

Pressure

