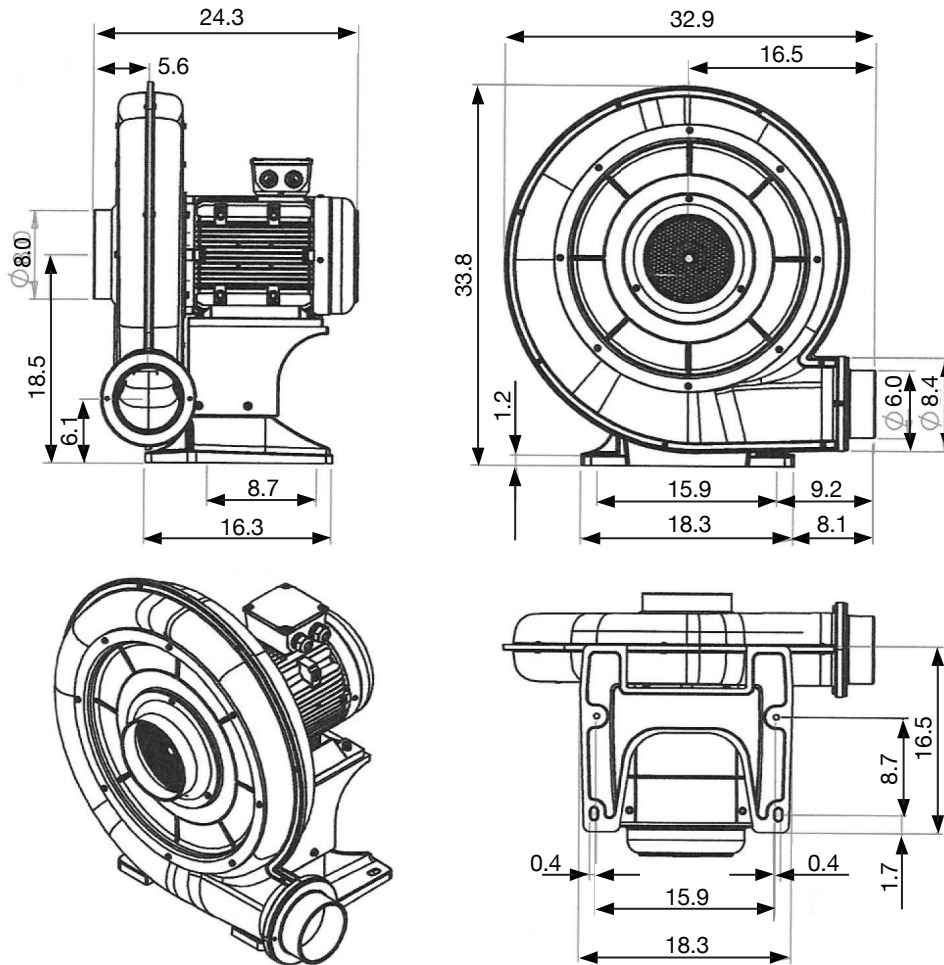


Direct Drive Turbo Blower

Unit: Inch



Specifications

Model	FDC-100A-7W
Phase	3
Voltage	208~240V
	415~480V
Hz	60
Rated Output HP	10
Rated Current Amps	30/15
Max Pressure in H2O	28.5
Max Air Flow CFM	1870
In/Out (Inch)	8
Noise Level dB(A)	104.9
Weight (KG)	253.5

Pressure

