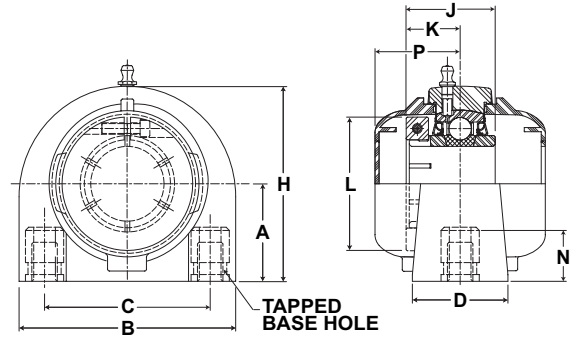


PN Gold Mounted Ball Bearings



- Duty:** Standard
- Housing:** High Strength Composite Tapped Base
- Self-Alignment:** +/- 2 Degrees
- Lock:** Skwezloc Locking Collar
- Seal:** HPS
- Temperature:** 0° to 150°F
- Grease:** Sealmaster GoldPlex-FG



CRTBC-PN-T Series Tapped Base Pillow Block Skwezloc Locking Collar

BORE DIAMETER		PART No.	BEARING INSERT No.	BASIC DYNAMIC RATING lb/N	DIMENSIONS inch/mm										UNIT Wt. lb/kg	OPEN CAP	CLOSED CAP	
					A	B	C	D	H	J	K	L	N	P				BOLT SIZE
inch	mm																	
3/4	-	CRTBC-PN12T	PN-12T	2611 11614	1 5/16 33.3	3 1/8 79.4	2 50.8	1 1/2 38.1	2 9/16 65.1	1 7/32 31.0	23/32 18.3	1 3/4 44.5	1/2 12.7	1 41/64 41.7	3/8-16	.82 .37	ECO-12	ECC-12
-	20	CRTBC-PN204T	PN-204T															
1	-	CRTBC-PN16T	PN-16T	2801 12459	1 7/16 36.5	3 76.2	2 50.8	1 1/2 38.1	2 13/16 71.4	1 3/8 34.9	13/16 20.6	1 15/16 49.2	1/2 12.7	1 47/64 44.1	3/8-16	.93 .42	ECO-16	ECC-16
-	25	CRTBC-PN205T	PN-205T															
1 3/16	-	CRTBC-PN19T	PN-19T	4381 19488	1 11/16 42.9	4 101.6	3 76.2	1 1/2 38.1	3 3/8 85.7	1 1/2 38.1	7/8 22.2	2 3/16 55.6	5/8 15.9	1 51/64 45.6	7/16-14	1.57 .71	ECO-19	ECC-19
1 1/4	-	CRTBC-PN20RT	PN-20RT														ECO-20R	
-	30	CRTBC-PN206T	PN-206T														ECO-19	
1 1/4	-	CRTBC-PN20T	PN-20T	5782 25720	1 7/8 47.6	4 1/4 108.0	3 1/4 82.6	1 7/8 47.6	3 3/4 95.3	1 11/16 42.9	1 25.4	2 7/16 61.9	3/4 19.1	1 59/64 48.8	1/2-13	2.27 1.03	ECO-20	ECC-23
1 3/8	-	CRTBC-PN22T	PN-22T	5782 25720	1 7/8 47.6	4 1/4 108.0	3 1/4 82.6	1 7/8 47.6	3 3/4 95.3	1 11/16 42.9	1 25.4	2 9/16 65.1	3/4 19.1	1 59/64 48.8	1/2-13	2.27 1.03	ECO-23	ECC-23
1 7/16	-	CRTBC-PN23T	PN-23T															
-	35	CRTBC-PN207T	PN-207T															
1 1/2	-	CRTBC-PN24T	PN-24T	7340 32650	1 15/16 49.2	4 5/8 117.5	3 1/2 88.9	1 7/8 47.6	3 15/16 100.0	1 15/16 49.2	1 3/16 30.2	2 11/16 68.3	3/4 19.1	2 7/64 53.6	1/2-13	2.77 1.26	ECO-24	ECC-24
-	40	CRTBC-PN208T	PN-208T															

Metric dimensions for reference only.

Not all parts are available from stock. Please contact customer service for availability (800) 626-2120.

For more information on bearing capabilities outside of our standard offering, please contact Application Engineering (800) 626-2093.