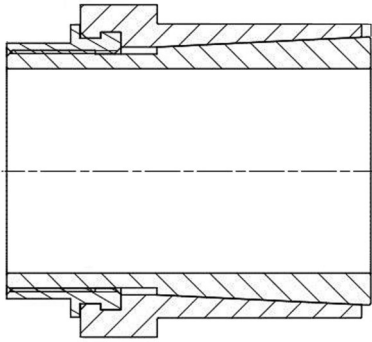


INSTALLATION & REMOVAL INSTRUCTIONS FOR CLIMAX SERIES C801

IMPORTANT NOTICE

When installing or removing any Climax Keyless Locking Device (KLD), please follow these important safety standards:

1. Check to ensure that power switches are off & locked out.
2. Always wear safety glasses & appropriate protective clothing.



INSTALLATION

Climax Series C801 Keyless Locking Devices are supplied with a thin coating of light machine oil to achieve a coefficient of friction of 0.12 and are shipped ready for installation. As published contact pressures and torque capacities are based on this coefficient, DO NOT use Molybdenum Disulfide (e.g., Molykote, Never-Seez or similar lubricants), or synthetic lubricants with this Climax KLD.

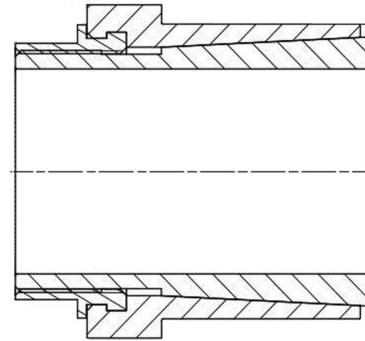
1. Check to ensure that locking nut, taper, shaft and bore contact areas are clean and thoroughly lubricated with a coating of light machine oil.
2. Insert Climax Series C801 into component bore, ensuring that the component is in contact with the hex flange of the outer ring.
3. Once positioned on shaft hand tighten the locking nut until the locking assembly begins to grip the shaft.
4. Use a properly calibrated torque wrench (we recommend the CCM Series from Sturtevant Richmond) set to our specified tightening torque M_a to finish installation. Holding the hex flange of the outer ring eliminates the need to hold the component during tightening.

INSTALLATION & REMOVAL INSTRUCTIONS FOR CLIMAX SERIES C801

IMPORTANT NOTICE

When installing or removing any Climax Keyless Locking Device (KLD), please follow these important safety standards:

1. Check to ensure that power switches are off & locked out.
2. Always wear safety glasses & appropriate protective clothing.



REMOVAL

1. Holding the component, shaft, or counter-torque, loosen the locking assembly by turning the locking nut counter clockwise.

Locking Screw Tightening Torque M_a

Nut Size (SW)	1-1/4	1-1/2	1-3/4	2	2-1/4	2-1/2	2-3/4	3	3-1/4	3-1/2
Tightening Torque M_a (ft-lbs)	100	125	167	192	234	409	442	467	500	550