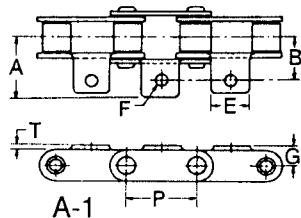


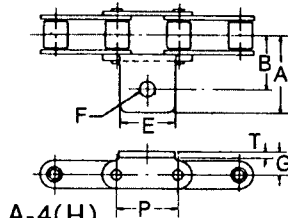
Agricultural Chains

Dimensions: inch

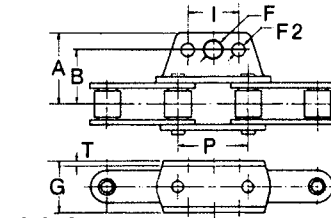
PEER Chain No.	Pitch P	Roller		Plate		Pin Diam. D	Overall Width		Average Ultimate Strength Lbs.	Average Weight Per Foot Lbs.
		Width W	Diam. R	Height H	Thickness T		F	G		
A550	1.630	0.780	0.656	0.757	0.105	0.281	0.681	0.823	12,500	1.30
CA550	1.630	0.780	0.656	0.757	0.105	0.281	0.681	0.823	12,500	1.31
CA555	1.630	0.500	0.656	0.757	0.125	0.281	0.586	0.631	12,500	1.23
CA557	1.630	0.780	0.700	0.869	0.125	0.315	0.722	0.865	13,600	1.48
C2060H	1.500	0.500	0.469	0.683	0.125	0.234	0.586	0.662	10,500	1.48



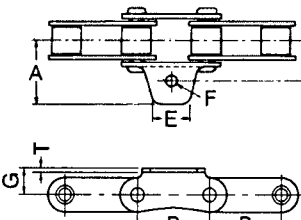
A-1



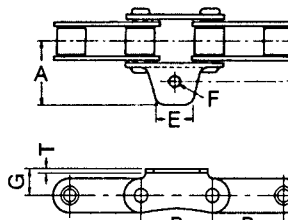
A-4(H)



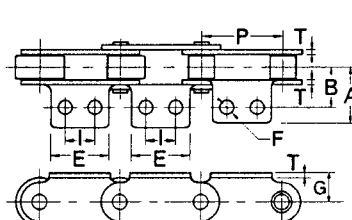
AA-3



A-27



A-29



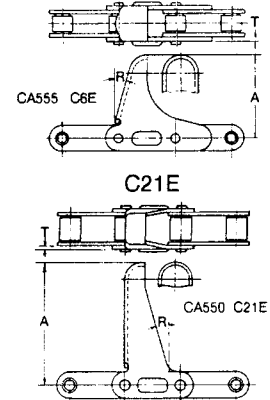
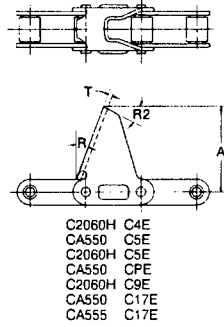
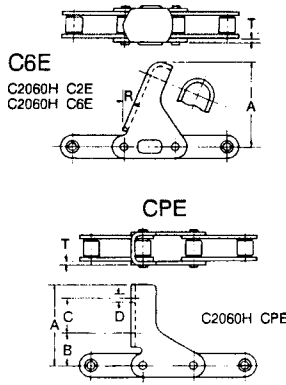
A-2

A Attachments

Dimensions: inch

PEER Chain No.	Pitch P	A	B	E	F	F2	G	T	I
CA550 A-1	1.630	1.545	1.000	0.875	0.265	-	0.421	0.105	-
C2060H A-1	1.500	1.203	0.844	1.125	0.203	-	0.578	0.125	-
CA550 A-4(H)	1.630	2.062	1.453	1.500	0.406	-	0.625	0.187	-
CA557 A-4(H)	1.630	2.062	1.453	1.500	0.406	-	0.625	0.177	-
CA550 AA-3	1.630	1.585	1.258	-	0.394	0.323	1.181	0.125	1.189
CA557 AA-3	1.630	1.704	1.256	-	0.383 *	0.323	1.223	0.134	1.189
CA550 A-27	1.630	1.406	1.062	0.875	0.328	-	0.500	0.105	-
CA550 A-29	1.630	1.406	1.000	0.875	0.391	-	0.500	0.105	-
C2060H A-2	1.500	1.203	0.844	0.203	0.203	-	0.578	0.125	0.563

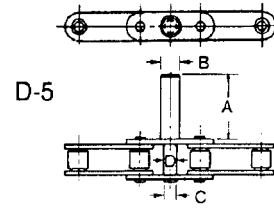
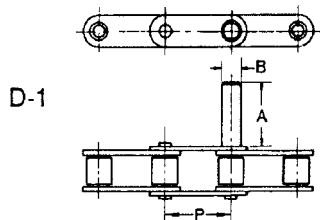
* - Square hole



C Attachments

Dimensions: inch

PEER Chain No.	A	R	R2	T	B	C	D
C2060H C2E	3.000	22.5°	-	0.125	-	-	-
C2060H C4E	2.980	22.5°	-	0.125	-	-	-
CA550 C5E	2.323	15°	-	0.125	-	-	-
C2060H C5E	2.250	22.5°	-	0.125	-	-	-
CA555 C6E	2.500	15°	-	0.125	-	-	-
C2060H C6E	2.500	22.5°	-	0.125	-	-	-
C2060H C9E	2.980	22.5°	-	0.125	-	-	-
CA550 C17E	3.000	17.5°	20°	0.105	-	-	-
CA555 C17E	3.000	22.5°	-	0.125	-	-	-
CA550 C21	3.625	16°	-	0.105	-	-	-
CA550 CPE	2.547	20°	-	0.105	-	-	-
C2060H CPE	2.340	-	-	0.125	0.927	1.000	0.232

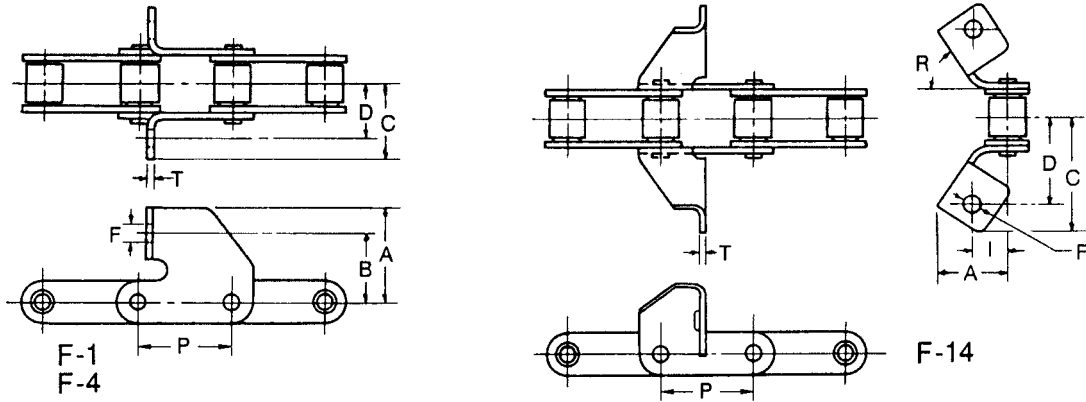


D Attachments

Dimensions: inch

PEER Chain No.	Pitch P	A	B	C	D
CA550 D-1	1.630	2.000	0.500	-	-
C2060H D-1	1.500	0.562	0.234	-	-
C2060H D-5-A	1.500	1.625	0.500	0.318	0.313
C2060H D-5-B	1.500	1.625	0.562	0.309	0.303
C2060H D-5-C	1.500	1.625	0.500	0.318	0.218

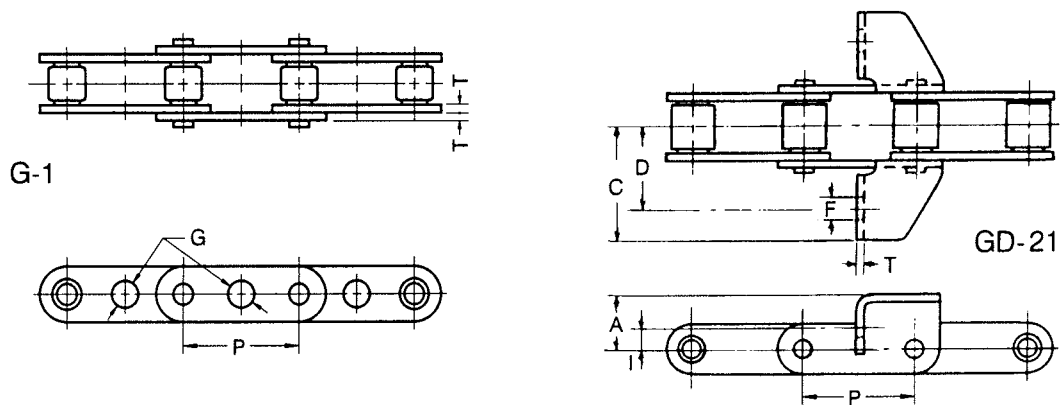
NOTE: D-5 Chains Available in Carbon Steel, Nickel Plated, and Stainless Steel.



F Attachments

Dimensions: inch

PEER Chain No.	Pitch P	A	B	C	D	F	I	T	R
C2060H F-1	1.500	1.937	1.437	2.063	1.500	0.265	-	0.125	-
CA550 F-4	1.630	1.689	1.217	1.344	0.937	0.328	-	0.105	-
CA550 F-14	1.630	1.250	-	2.063	1.563	0.328	0.625	0.105	57°
CA557 F-14	1.630	1.250	-	2.063	1.563	0.328	0.625	0.125	57°

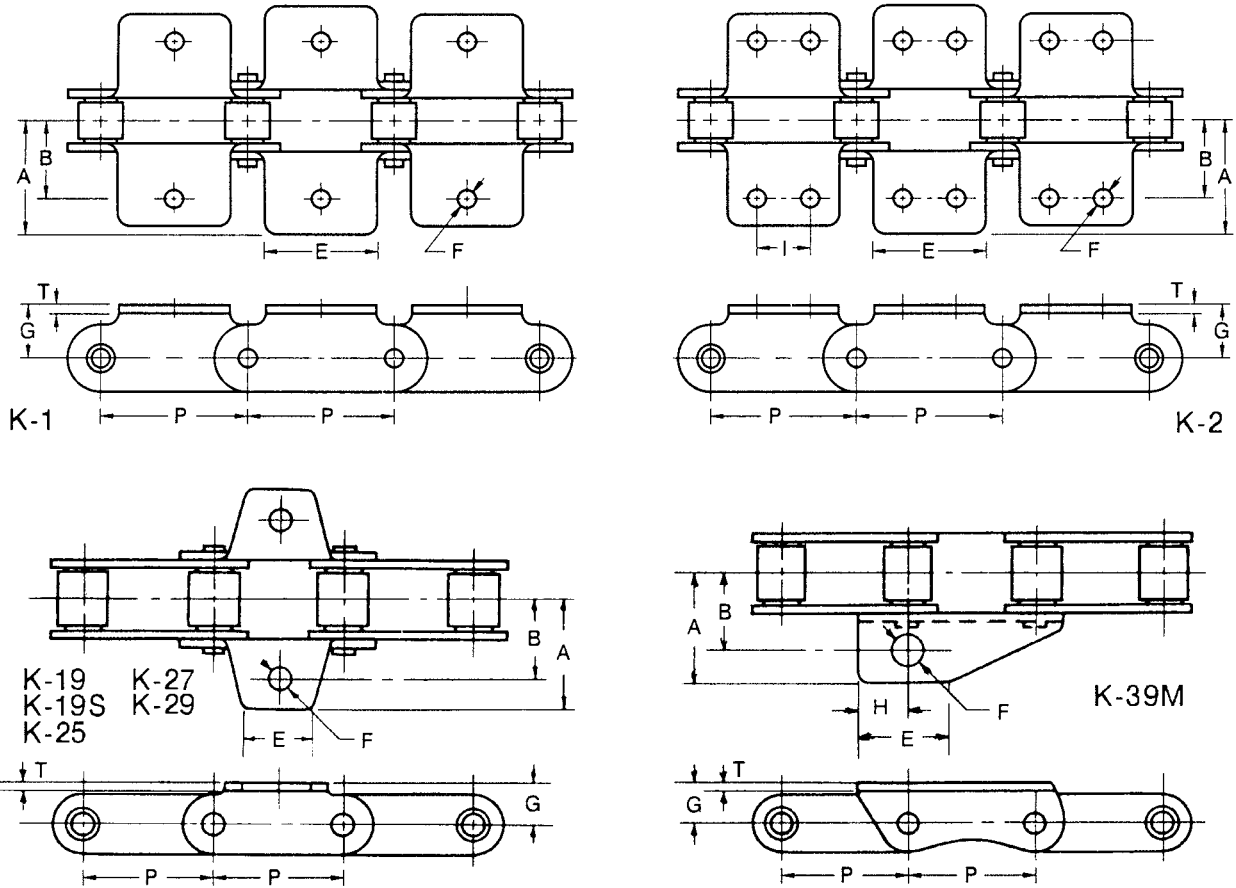


G Attachments

Dimensions: inch

PEER Chain No.	Pitch P	T	G	F	C	D	A	I
C2060H G1-A	1.500	0.125	0.254	-	-	-	-	-
C2060H G1-B	1.500	0.125	0.315	-	-	-	-	-
C2060H G1-C	1.500	0.125	0.317	-	-	-	-	-
C2060H G1-D	1.500	0.125	0.330	-	-	-	-	-
C2060H G1-E	1.500	0.125	0.377	-	-	-	-	-
CA550 GD-21	1.630	0.105	-	0.328	1.694	1.250	0.797	0.328

Note : Available in Carbon Steel, Nickel Plated, Zinc Plated, and Stainless Steel.



K Attachments

Dimensions: inch

PEER Chain No.	Pitch P	A	B	E	F	G	H	T	I
CA550 K-1	1.630	1.484	1.000	0.875	0.266	0.422	-	0.105	-
C2060H K-1	1.500	1.203	0.844	1.125	0.203	0.578	-	0.125	-
C2060H K-2	1.500	1.203	0.844	1.125	0.203	0.578	-	0.125	0.563
CA555 K-19	1.630	1.297	1.000	0.875	0.266	0.500	-	0.125	-
CA550 K-19S	1.630	1.391	1.000	0.875	0.328	0.500	-	0.105	-
C2060H K-25	1.500	1.203	0.844	1.125	0.266	0.578	-	0.125	-
CA550 K-27	1.630	1.406	1.063	0.875	0.328	0.500	-	0.105	-
CA550 K-29	1.630	1.406	1.000	0.875	0.391	0.500	-	0.105	-
CA550 K-39M	1.630	1.406	1.000	1.161	0.385	0.500	0.625	0.105	-
CA557 K-39M	1.630	1.250	0.844	1.161	0.385	0.500	0.625	0.125	-
C2060H K-39M	1.500	1.250	0.844	1.161	0.385	0.500	0.625	0.094	-