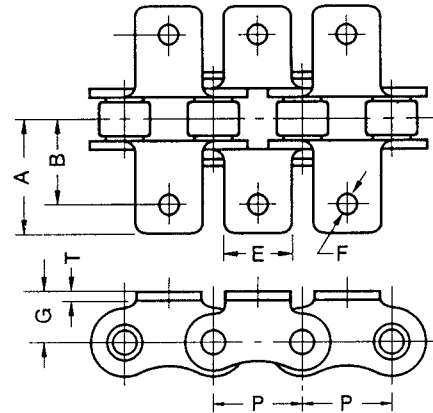
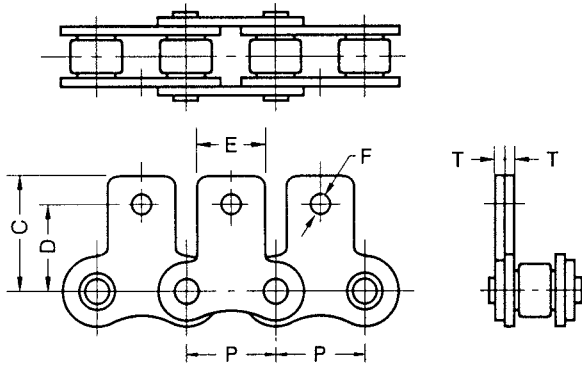


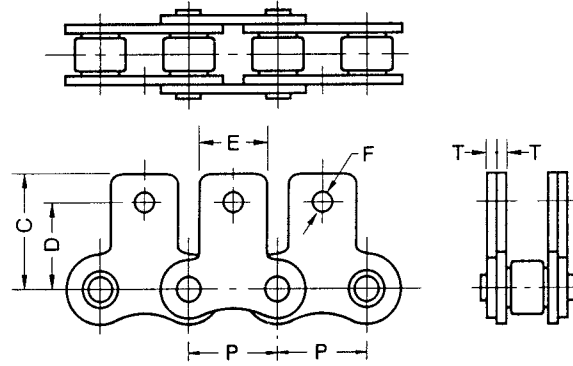
A-1



K-1



SA-1



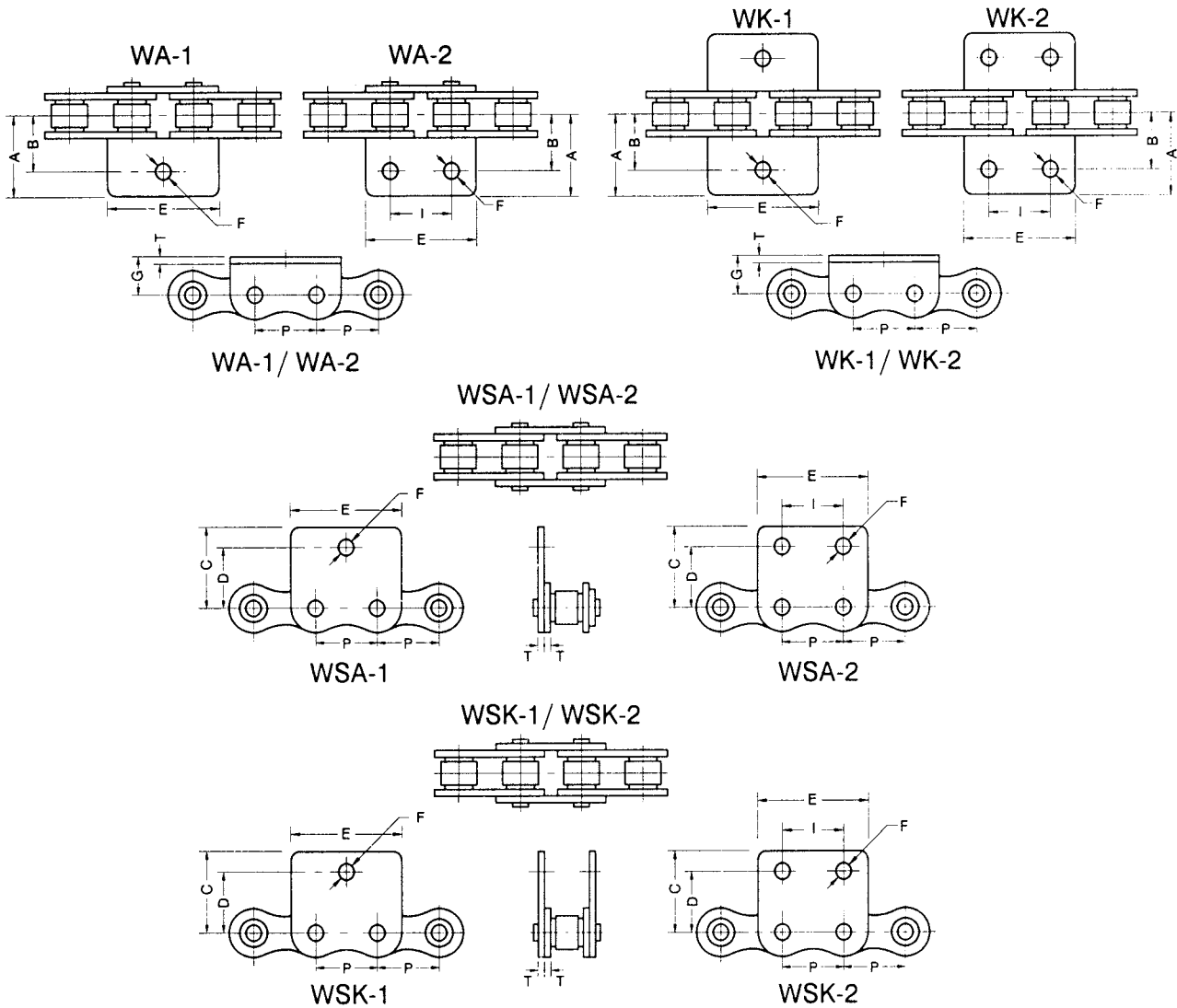
SK-1

**A-1 / K-1 / SA-1 / SK-1 Attachments**

Dimensions: inch

PEER Chain No.	Pitch P	A	B	C	D	E	F	G	T
35	0.375	0.516	0.375	0.531	0.375	0.313	0.109	0.250	0.050
40	0.500	0.688	0.500	0.688	0.500	0.375	0.141	0.312	0.060
41	0.500	0.641	0.469	0.648	0.500	0.375	0.141	0.281	0.050
50	0.625	0.969	0.625	0.963	0.625	0.562	0.203	0.406	0.080
60	0.750	1.094	0.750	1.031	0.719	0.625	0.203	0.469	0.094
80	1.000	1.547	1.000	1.339	0.969	0.750	0.266	0.625	0.125
100	1.250	1.693	1.250	1.648	1.250	1.000	0.328	0.781	0.156
120	1.500	2.087	1.500	1.958	1.438	1.125	0.391	0.906	0.187

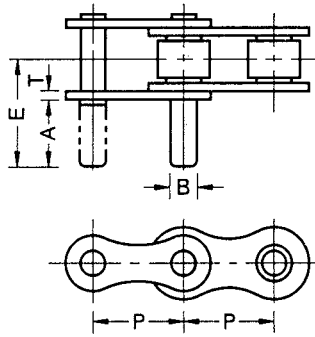
# ANSI SINGLE STRAND CHAINS WITH ATTACHMENTS - WIDE CONTOUR



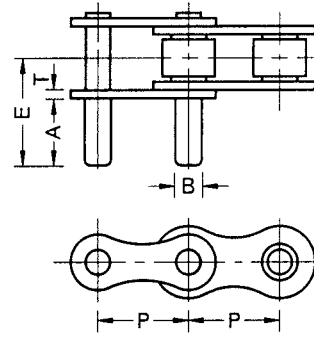
**WA-1 / WA-2 / WK-1 / WK-2 / WSA-1 / WSA-2 / WSK-1 / WSK-2 Attachments**

Dimensions: inch

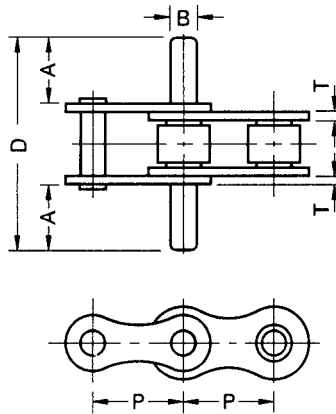
PEER Chain No.	Pitch P	A	B	C	D	E	F	G	T	I
35	0.375	0.563	0.375	0.578	0.375	0.722	0.109	0.250	0.050	0.375
40	0.500	0.687	0.500	0.681	0.500	0.909	0.141	0.312	0.060	0.500
50	0.625	0.969	0.625	0.980	0.625	1.120	0.203	0.406	0.080	0.625
60	0.750	1.063	0.750	1.024	0.719	1.427	0.203	0.469	0.094	0.750
80	1.000	1.390	1.000	1.344	0.969	1.915	0.266	0.625	0.125	1.000



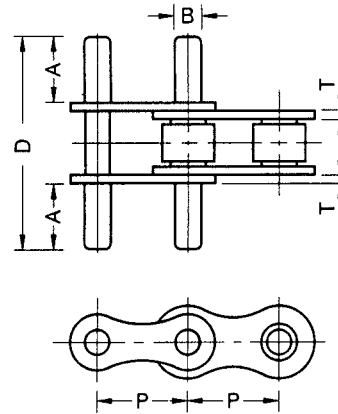
D-1



D-3



D-D-1



D-D-3

**D-1 / D-3 / D-D-1 / D-D-3 Attachments**

Dimensions: inch

PEER Chain No.	Pitch P	A	B	D	E	T
35	0.375	0.375	0.141	1.150	0.575	0.050
40	0.500	0.375	0.156	1.322	0.661	0.060
41	0.500	0.375	0.141	1.216	0.608	0.050
50	0.625	0.469	0.200	1.654	0.827	0.080
60	0.750	0.562	0.234	2.036	1.018	0.094
80	1.000	0.750	0.312	2.670	1.335	0.125
100	1.250	0.937	0.375	3.296	1.648	0.156
120	1.500	1.125	0.437	-	2.024	0.187
140	1.750	1.312	0.500	-	2.264	0.218
160	2.000	1.500	0.562	-	2.654	0.250