

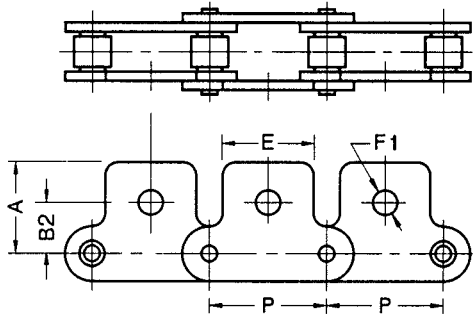
A-1 / A-2 / K-1 / K-2 Attachments

Dimensions: inch

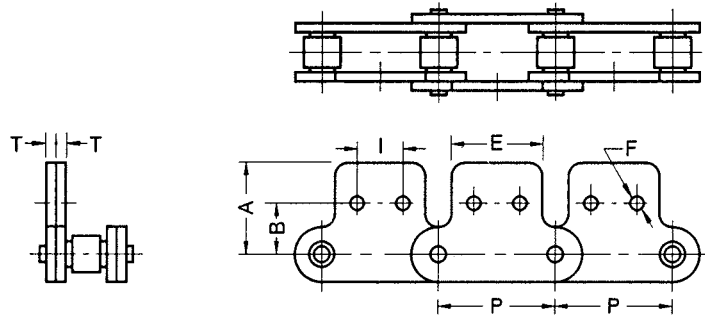
PEER Chain No.	Pitch P	A	B	E	F	G	T	I
C2040 / C2042	1.000	0.742	0.500	0.750	0.141	0.359	0.060	0.375
C2050 / C2052	1.250	0.945	0.625	1.000	0.203	0.437	0.080	0.469
C2060H / C2062H	1.500	1.203	0.844	1.125	0.203	0.578	0.125	0.563
C2080H / C2082H	2.000	1.516	1.094	1.500	0.266	0.750	0.156	0.750
C2100H / C2102H	2.500	1.965	1.313	1.875	0.328	0.922	0.187	0.937
C2120H / C2122H	3.000	2.390	1.562	2.250	0.391	1.094	0.218	1.125

NOTE: Attachments can be supplied on Double Pitch Chain with Standard Rollers and Double Pitch Chain with Oversized Rollers. Can be supplied in Carbon Steel, Nickel Plated, and Stainless Steel. Can be supplied with Carbon Steel and Delrin Rollers.

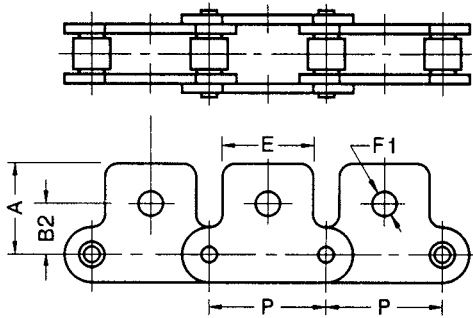
SA-1



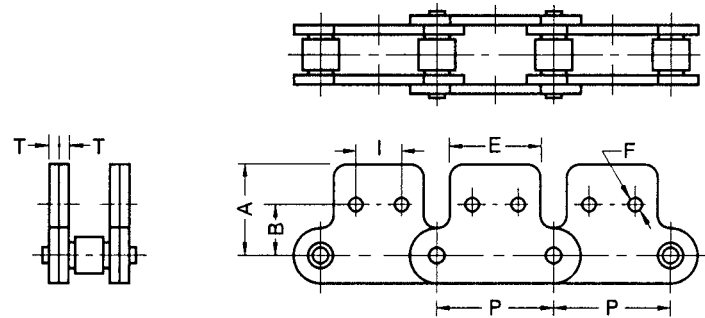
SA-2



SK-1



SK-2

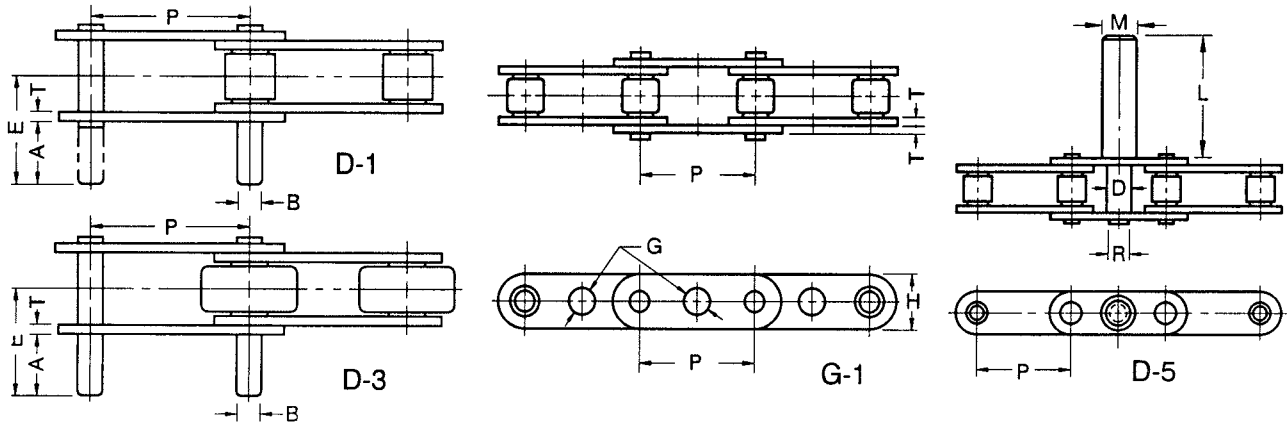


SA-1 / SA-2 / SK-1 / SK-2 Attachments

Dimensions: inch

PEER Chain No.	Pitch P	A	B	B2	E	F	F1	T	I
C2040 / C2042	1.000	0.759	0.531	0.437	0.750	0.141	0.203	0.060	0.375
C2050 / C2052	1.250	0.969	0.625	0.563	1.000	0.203	0.250	0.080	0.469
C2060H / C2062H	1.500	1.172	0.750	0.687	1.125	0.203	0.328	0.125	0.563
C2080H / C2082H	2.000	1.500	1.000	0.875	1.500	0.266	0.391	0.156	0.750
C2100H / C2102H	2.500	1.984	1.250	1.125	1.875	0.328	0.516	0.187	0.937
C2120H / C2122H	3.000	2.359	1.469	1.313	2.250	0.391	0.578	0.218	1.125

NOTE: Attachments available with Standard Rollers or Oversized Rollers.



D-1 / D-3 Attachments

Dimensions: inch

PEER Chain No.	Pitch P	A	B	T	E
C2040 / C2042	1.000	0.375	0.156	0.060	0.661
C2050 / C2052	1.250	0.469	0.200	0.080	0.827
C2060H / C2062H	1.500	0.562	0.234	0.125	1.080
C2080H / C2082H	2.000	0.750	0.312	0.156	1.398
C2100H / C2102H	2.500	0.937	0.375	0.187	1.713
C2120H / C2122H	3.000	1.125	0.437	0.218	2.058

D-5 Attachments

Dimensions: inch

PEER Chain No.	Pitch P	L	M	R	D
D-5-A	1.500	1.625	0.500	0.318	0.313
D-5-B	1.500	1.625	0.562	0.309	0.303
D-5-C	1.500	1.625	0.500	0.318	0.218

NOTE: Available in Carbon Steel, Nickel Plated, and Stainless Steel.

G-1 Attachments

Dimensions: inch

PEER Chain No.	Pitch P	T	G	H
C2060H G1-A	1.500	0.125	0.254	0.683
C2060H G1-B	1.500	0.125	0.315	0.683
C2060H G1-C	1.500	0.125	0.317	0.683
C2060H G1-D	1.500	0.125	0.330	0.683
C2060H G1-E	1.500	0.125	0.377	0.683
C2080H G1-A	2.000	0.156	0.315	0.935
C2080H G1-B	2.000	0.156	0.330	0.935

NOTE: Available in Carbon Steel, Nickel Plated, Zinc Plated, and Stainless Steel.