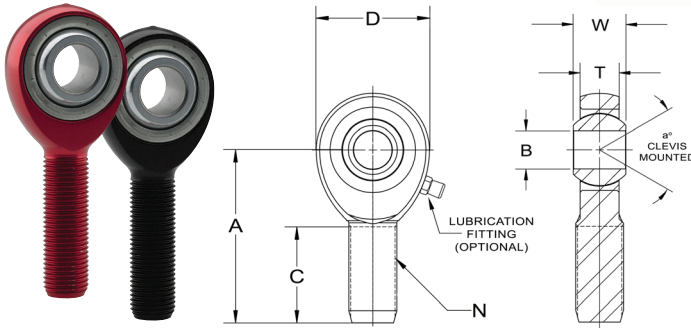


ALJM / ALJM-H / ALJF

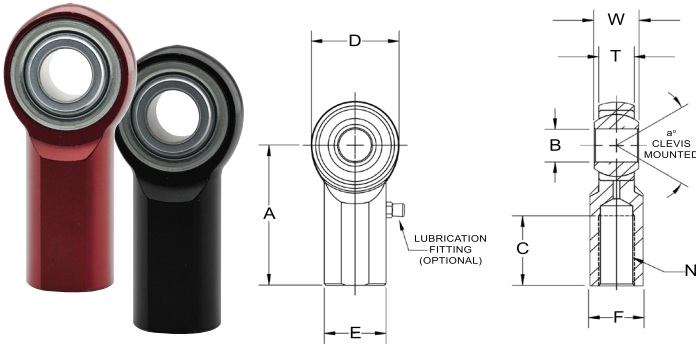
3-PIECE, ALUMINUM SERIES / PTFE LINERS AVAILABLE



| BALL | BODY |
|--------------------------------------------------------------|------------------------------------------|
| 52100 STEEL HEAT TREATED HARD CHROME PLATED | ALUMINUM 7075-T6 HARD ANODIZED RED |
| RACE | |
| STEEL ALLOY - HEAT TREATED ZINC PLATED - CHROMATE TREATED | |
| LINER (OPTIONAL) | |
| PTFE FABRIC | |

| MALE ROD ENDS | | B DIA | D DIA | W WIDTH | T WIDTH | BALL DIA | A LGTH | N THD | C LGTH | a° MIS ANGLE | ULT. STATIC RADIAL LOAD (lbs.) | APPROX. WEIGHT (lbs.) |
|------------------------|-------------------------|------------------|----------------|----------------|----------------|----------|----------------|-----------|----------------|--------------|--------------------------------|-----------------------|
| RIGHT HAND PART NO. | LEFT HAND PART NO. | +.0015 -.0005 | +.010 -.010 | +.000 -.005 | +.005 -.005 | REF. | +.015 -.015 | UNF 3A | +.062 -.031 | REF. | | |
| ALJM3 | ALJML3 | .1900 | .625 | .312 | .250 | .437 | 1.250 | 10-32 | .750 | 13 | 1,360 | .022 |
| ALJM4 | ALJML4 | .2500 | .750 | .375 | .281 | .500 | 1.562 | 1/4-28 | 1.000 | 16 | 2,465 | .034 |
| ALJM5 | ALJML5 | .3125 | .875 | .437 | .344 | .625 | 1.875 | 5/16-24 | 1.250 | 14 | 2,850 | .050 |
| ALJM6 ⁽¹⁾ | ALJML6 ⁽¹⁾ | .3750 | 1.000 | .500 | .406 | .719 | 1.938 | 3/8-24 | 1.250 | 12 | 4,208 | .078 |
| ALJM7 | ALJML7 | .4375 | 1.125 | .562 | .437 | .812 | 2.125 | 7/16-20 | 1.375 | 14 | 4,534 | .091 |
| ALJM8 ⁽¹⁾ | ALJML8 ⁽¹⁾ | .5000 | 1.312 | .625 | .500 | .937 | 2.438 | 1/2-20 | 1.500 | 12 | 7,698 | .140 |
| ALJM8-6 ⁽¹⁾ | ALJML8-6 ⁽¹⁾ | .3750 | 1.312 | .625 | .500 | .937 | 2.438 | 1/2-20 | 1.500 | 12 | 7,698 | .140 |
| ALJM10 | ALJML10 | .6250 | 1.500 | .750 | .562 | 1.125 | 2.625 | 5/8-18 | 1.625 | 16 | 8,516 | .240 |
| ALJM10H ⁽²⁾ | ALJML10H ⁽²⁾ | .6250 | 1.750 | .750 | .562 | 1.125 | 2.625 | 5/8-18 | 1.625 | 16 | 16,200 | .268 |
| ALJM12 | ALJML12 | .7500 | 1.750 | .875 | .687 | 1.312 | 2.875 | 3/4-16 | 1.750 | 14 | 13,319 | .300 |
| ALJM12H ⁽²⁾ | ALJML12H ⁽²⁾ | .7500 | 2.000 | .875 | .687 | 1.312 | 3.000 | 3/4-16 | 1.750 | 14 | 23,390 | .300 |

MALE ROD END LOAD RATINGS BASED ON NO LUBRICATION FITTING. FOR LOAD RATINGS WITH LUBRICATOR, PLEASE CONTACT THE FK ENGINEERING DEPARTMENT.



| BALL | BODY |
|--------------------------------------------------------------|------------------------------------------|
| 52100 STEEL HEAT TREATED HARD CHROME PLATED | ALUMINUM 7075-T6 HARD ANODIZED RED |
| RACE | |
| STEEL ALLOY - HEAT TREATED ZINC PLATED - CHROMATE TREATED | |
| LINER (OPTIONAL) | |
| PTFE FABRIC | |

| FEMALE ROD ENDS | | B DIA | D DIA | W WIDTH | T WIDTH | BALL DIA | A LGTH | N THD | C LGTH | E DIA. | F FLAT | a° MIS ANGLE | ULT. STATIC RADIAL LOAD (lbs.) | APPROX. WEIGHT (lbs.) |
|----------------------|-----------------------|------------------|----------------|----------------|----------------|----------|----------------|-----------|----------------|----------------|----------------|--------------|--------------------------------|-----------------------|
| RIGHT HAND PART NO. | LEFT HAND PART NO. | +.0015 -.0005 | +.010 -.010 | +.000 -.005 | +.015 -.015 | REF. | +.015 -.015 | UNF 2B | +.062 -.031 | +.010 -.010 | +.010 -.010 | REF. | | |
| ALJF3 ⁽¹⁾ | ALJFL3 ⁽¹⁾ | .1900 | .625 | .312 | .250 | .437 | 1.062 | 10-32 | .500 | .406 | .312 | 13 | 1,360 | .022 |
| ALJF4 | ALJFL4 | .2500 | .750 | .375 | .281 | .500 | 1.312 | 1/4-28 | .687 | .469 | .375 | 16 | 2,592 | .034 |
| ALJF5 ⁽¹⁾ | ALJFL5 ⁽¹⁾ | .3125 | .875 | .437 | .344 | .625 | 1.375 | 5/16-24 | .687 | .500 | .437 | 14 | 2,890 | .050 |
| ALJF6 ⁽¹⁾ | ALJFL6 ⁽¹⁾ | .3750 | 1.000 | .500 | .406 | .719 | 1.625 | 3/8-24 | .812 | .687 | .562 | 12 | 3,952 | .088 |
| ALJF8 ⁽¹⁾ | ALJFL8 ⁽¹⁾ | .5000 | 1.312 | .625 | .500 | .937 | 2.125 | 1/2-20 | 1.062 | .875 | .750 | 12 | 7,006 | .186 |

⁽¹⁾ ALSO AVAILABLE IN BLACK ~ ADD "-B" TO SUFFIX

⁽²⁾ CHECK FOR AVAILABILITY

| AVAILABLE OPTIONS | SUFFIX | EXAMPLE |
|---------------------------------|--------|---------|
| PTFE LINER | T | ALJM10T |
| GREASE FITTING | Z | ALJM10Z |
| STUD (SEE PG 45 FOR STUD SPECS) | Y | ALJM10Y |