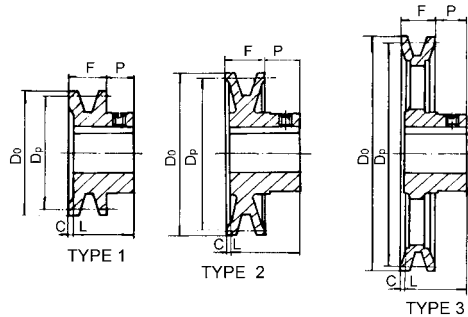




S H E A V E

Light Duty Bored-To-Size Sheaves



Single Groove Sheaves for
"3L" "4L" & "A" Belts



Part No.	Diameters(in.)			Type	Dimensions(in.)				Stock Bores(in.)	List Price
	D ₀	D _P			F	L	P	C		
		"3L"	"4L+A"							
AK20	2.00	1.46	1.80	1	21/32	15/16	7/16	5/32	1/2, 5/8, 3/4	8.48
AK21	2.10	1.56	1.90	1	21/32	15/16	7/16	5/32	1/2, 5/8, 3/4	9.02
AK22	2.20	1.66	2.00	1	21/32	15/16	7/16	5/32	1/2, 5/8, 3/4	9.55
AK23	2.30	1.76	2.10	1	21/32	15/16	7/16	5/32	1/2, 5/8, 3/4, 7/8	10.18
AK25	2.50	1.96	2.30	2	21/32	15/16	7/16	5/32	1/2, 5/8, 3/4, 7/8, 1	10.80
AK26	2.60	2.06	2.40	2	21/32	15/16	7/16	5/32	1/2, 5/8, 3/4	11.43
AK27	2.70	2.16	2.50	2	21/32	15/16	7/16	5/32	1/2, 5/8, 3/4	12.05
AK28	2.80	2.26	2.60	2	21/32	15/16	7/16	5/32	1/2, 5/8, 3/4, 7/8, 1	12.41
AK30	3.05	2.46	2.80	2	21/32	15/16	7/16	5/32	1/2, 5/8, 3/4, 7/8, 1	13.30
AK32	3.25	2.66	3.00	2	21/32	15/16	7/16	5/32	1/2, 5/8, 3/4, 7/8, 1, 1 1/8	14.02
AK34	3.45	2.86	3.20	2	21/32	15/16	7/16	5/32	1/2, 5/8, 3/4, 7/8, 1, 1 1/8	14.91
AK39	3.75	3.16	3.50	2	3/4	15/32	15/32	1/16	1/2, 5/8, 3/4, 7/8, 15/16, 1, 1 1/8	17.32
AK41	3.95	3.36	3.70	2	3/4	15/32	15/32	1/16	1/2, 5/8, 3/4, 7/8, 15/16, 1,	18.48
AK44	4.25	3.66	4.00	3	3/4	15/32	15/32	1/16	1/2, 5/8, 3/4, 7/8, 15/16, 1, 1 1/8	20.00
AK46	4.45	3.86	4.20	3	3/4	15/32	15/32	1/16	1/2, 5/8, 3/4, 7/8, 15/16, 1, 1 1/8	21.16
AK49	4.75	4.16	4.50	3	3/4	15/32	15/32	1/16	1/2, 5/8, 3/4, 7/8, 15/16, 1, 1 1/8	21.96
AK51	4.95	4.36	4.70	3	3/4	15/32	15/32	1/16	1/2, 5/8, 3/4, 7/8, 1, 1 1/8	22.77
AK54	5.25	4.66	5.00	3	3/4	15/32	15/32	1/16	1/2, 5/8, 3/4, 7/8, 15/16, 1, 1 1/8, 1 3/16	23.39
AK56	5.45	4.86	5.20	3	3/4	15/32	15/32	1/16	1/2, 5/8, 3/4, 7/8, 15/16, 1, 1 1/8, 1 3/16	24.38
AK59	5.75	5.16	5.50	3	3/4	15/32	15/32	1/16	1/2, 5/8, 3/4, 7/8, 15/16, 1, 1 1/8, 1 3/16	25.54
AK61	5.95	5.36	5.70	3	3/4	15/32	15/32	1/16	1/2, 5/8, 3/4, 7/8, 15/16, 1, 1 1/8, 1 3/16	26.25
AK64	6.25	5.66	6.00	3	3/4	15/32	15/32	1/16	1/2, 5/8, 3/4, 7/8, 15/16, 1, 1 1/8, 1 3/16	27.50
AK66	6.45	5.86	6.20	3	3/4	15/32	15/32	1/16	1/2, 5/8, 3/4, 1, 1 1/8,	28.30
AK69	6.75	6.16	6.50	3	3/4	1 15/32	23/32	0	3/4, 1, 1 1/8,	32.41
AK71	6.95	6.36	6.70	3	3/4	1 15/32	23/32	0	1/2, 5/8, 3/4, 1, 1 1/8, 1 7/16,	33.30
AK74	7.25	6.66	7.00	3	3/4	1 15/32	23/32	0	1/2, 5/8, 3/4, 15/16, 1, 1 1/8, 1 3/16, 1 1/4, 1 7/16	34.20
AK79	7.75	7.16	7.50	3	3/4	1 15/32	23/32	0	3/4, 1, 1 1/8, 1 7/16,	40.89
AK84	8.25	7.66	8.00	3	3/4	1 15/32	23/32	0	1/2, 5/8, 3/4, 15/16, 1, 1 3/16, 1 7/16	42.68
AK89	8.75	8.16	8.50	3	3/4	1 15/32	23/32	0	3/4, 1, 1 1/8, 1 7/16	44.64
AK94	9.25	8.66	9.00	3	3/4	1 15/32	23/32	0	1/2, 5/8, 3/4, 15/16, 1, 1 3/16, 1 1/4, 1 7/16	47.59
AK99	9.75	9.16	9.50	3	3/4	1 15/32	23/32	0	3/4, 1, 1 7/16	50.00
AK104	10.25	9.66	10.00	3	3/4	1 15/32	23/32	0	5/8, 3/4, 1, 1 3/16, 1 1/4, 1 3/8, 1 7/16	51.70
AK109	10.75	10.16	10.50	3	3/4	1 15/32	23/32	0	3/4, 1, 1 3/8, 1 7/16	53.93
AK114	11.25	10.66	11.00	3	3/4	1 15/32	23/32	0	3/4, 1, 1 3/16, 1 7/16	57.68
AK124	12.25	11.66	12.00	3	3/4	1 15/32	23/32	0	5/8, 3/4, 1, 1 3/16, 1 1/4, 1 7/16	63.57
AK134	13.25	12.66	13.00	3	3/4	1 15/32	23/32	0	3/4, 1, 1 3/16, 1 3/8, 1 7/16	70.71
AK144	14.25	13.66	14.00	3	3/4	1 15/32	23/32	0	3/4, 1, 1 3/16, 1 7/16	77.95
AK154	15.25	14.66	15.00	3	3/4	1 15/32	23/32	0	3/4, 1, 1 3/16, 1 3/8, 1 7/16	787.77
AK184	18.25	17.66	18.00	3	3/4	1 15/32	23/32	0	3/4, 1, 1 3/16, 1 7/16	103.48

Standard Keyseats	
Bore-Range	Keyseat
1/2	None
5/8 - 7/8	3/16 X 3/32
15/16 - 1 1/4	1/4 X 1/8
1 7/16	3/8 X 3/16

AK sheaves are precision machined from gray cast iron, statically balanced painted with baked enamel finish and individually packaged. Sheaves are furnished with standard keyways & set screws.