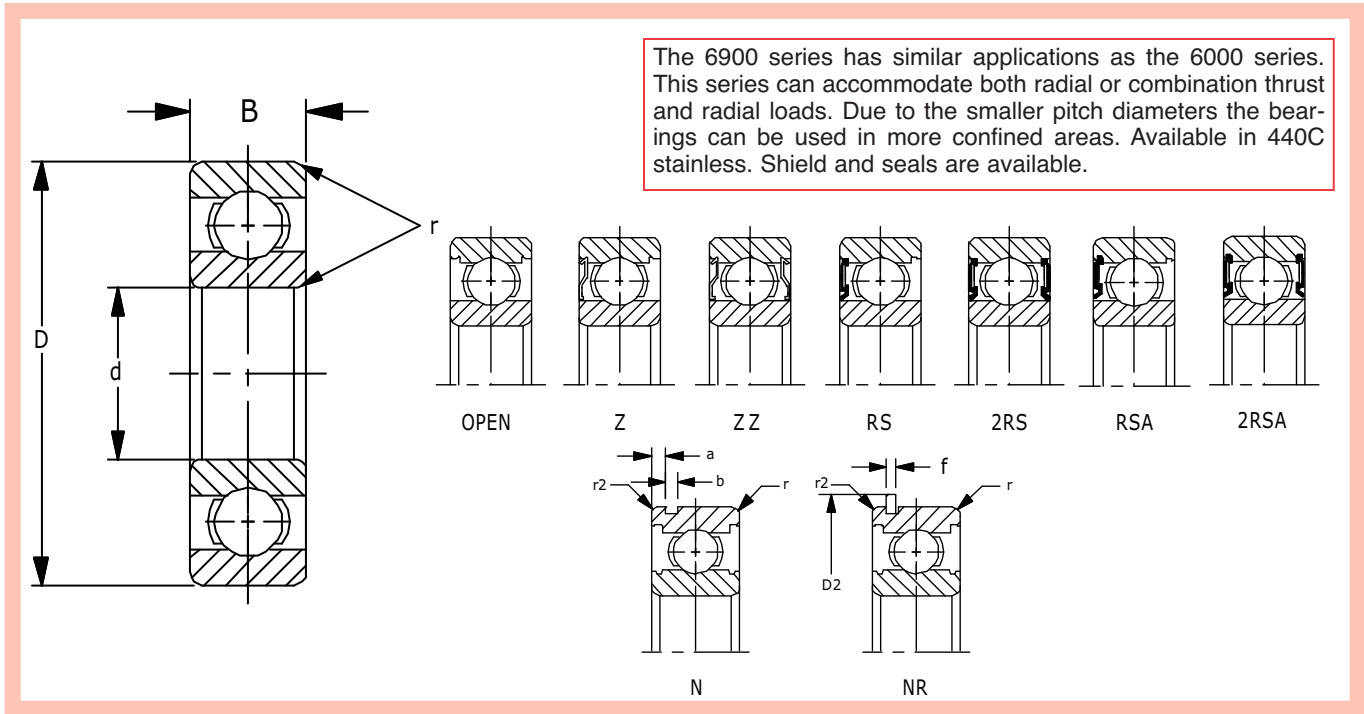


6900 SERIES



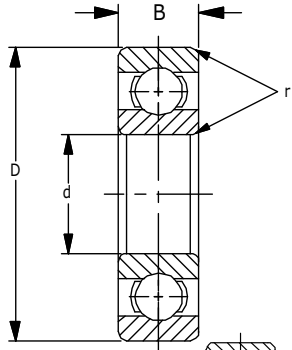
Units: Inches
Metric

Part Number	Bore d	Tolerance +.0000 to minus	OD D	Tolerance +.0000 to minus	Width B	Tolerance +.0000 to minus	* fillet radii		snap ring dimensions		snap ring groove dimensions		Basic Load Ratings lbf N		Weight lb Kg	Limiting speed of Open Bearing (rpm)	
							r	r2	D2 Max	f Max	a Max	b Min	Dynamic Cr	Static Cor		oil	grease
6900	.3937 10	.0003 .008	.8661 22	.0004 .009	.2362 6	.0047 .120	.012 .3	.012 .3	.976 24.8	.028 .7	.041 1.05	.031 .8	607 2,700	285 1,270	.020 .009	36,000 32,000	30,000 27,000
6901	.4724 12	.0003 .008	.9449 24	.0004 .009	.2362 6	.0047 .120	.012 .3	.012 .3	1.055 26.8	.028 .7	.041 1.05	.031 .8	650 2,891	330 1,468	.022 .010	32,000 28,000	27,000 24,000
6902	.5906 15	.0003 .008	1.1024 28	.0004 .009	.2756 7	.0047 .120	.012 .3	.012 .3	1.213 30.8	.033 .85	.051 1.3	.037 .95	970 4,315	979 4,350	.031 .014	28,000 26,000	24,000 22,000
6903	.6693 17	.0003 .008	1.1811 30	.0004 .009	.2756 7	.0047 .120	.012 .3	.012 .3	1.291 32.8	.033 .85	.051 1.3	.037 .95	1,050 4,671	580 2,579	.040 .018	26,000 23,000	22,000 19,000
6904	.7874 20	.0004 .010	1.4567 37	.0005 .011	.3543 9	.0047 .120	.012 .3	.012 .3	1.567 39.8	.033 .85	.067 1.7	.037 .95	1,440 6,400	832 3,700	.079 .036	23,000 19,000	19,000 16,000
6905	.9843 25	.0004 .010	1.6535 42	.0005 .011	.3543 9	.0047 .120	.012 .3	.012 .3	1.764 44.8	.033 .85	.067 1.7	.037 .95	1,586 7,050	1,023 4,550	.090 .041	19,000 17,000	16,000 14,000
6906	1.1811 30	.0004 .010	1.8504 47	.0005 .011	.3543 9	.0047 .120	.012 .3	.012 .3	1.961 49.8	.033 .85	.067 1.7	.037 .95	1,631 7,250	1,130 5,026	.115 .052	17,000 15,000	14,000 12,000
6907	1.3780 35	.0005 .012	2.1654 55	.0005 .013	.3937 10	.0047 .120	.024 .6	.020 .5	2.276 57.8	.033 .85	.067 1.7	.037 .95	2,511 11,165	1,670 7,429	.165 .075	15,000 13,000	12,000 11,000
6908	1.5748 40	.0005 .012	2.4409 62	.0005 .013	.4724 12	.0047 .120	.024 .6	.020 .5	2.551 64.8	.033 .85	.067 1.7	.037 .95	3,252 14,457	2,300 10,231	.247 .112	13,000 12,000	11,000 9,800
6909	1.7717 45	.0005 .012	2.6772 68	.0005 .013	.4724 12	.0047 .120	.024 .6	.020 .5	2.787 70.8	.033 .85	.067 1.7	.037 .95	3,403 15,125	2,532 11,254	.278 .126	12,000 11,000	9,800 8,900
6910	1.9685 50	.0005 .012	2.8346 72	.0005 .013	.4724 12	.0047 .120	.024 .6	.020 .5	2.945 74.8	.033 .85	.067 1.7	.037 .95	3,500 15,569	2,750 12,233	.290 .132	11,000 9,600	8,900 8,200
6911	2.1654 55	.0006 .015	3.1496 80	.0005 .013	.5118 13	.0059 .150	.039 1.0	.020 .5	3.323 84.4	.044 1.12	.083 2.1	.051 1.3	3,602 16,012	2,992 13,300	.417 .189	9,600 8,200	8,200 7,600
6912	2.3622 60	.0006 .015	3.3465 85	.0006 .015	.5118 13	.0059 .150	.039 1.0	.020 .5	3.520 89.4	.044 1.12	.083 2.1	.051 1.3	4,360 19,395	3,650 16,300	.423 .192	8,900 8,200	7,600 7,000
6913	2.5591 65	.0006 .015	3.5433 90	.0006 .015	.5118 13	.0059 .150	.039 1.0	.020 .5	3.717 94.4	.044 1.12	.083 2.1	.051 1.3	3,915 17,400	3,622 16,100	.481 .218	8,200 7,000	7,000 6,500

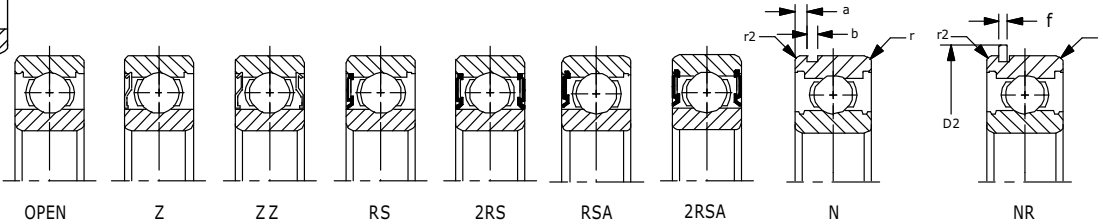
*Maximum fillet which corner radius of bearing will clear.



6900 SERIES (continued)



The 6900 series has similar applications as the 6000 series. This series can accommodate both radial or combination thrust and radial loads. Due to the smaller pitch diameters the bearings can be used in more confined areas. Shield and seals are available.



Units: Inches
Metric

Part Number	Bore d	Tolerance +.0000 to minus	OD D	Tolerance +.0000 to minus	Width B	Tolerance +.0000 to minus	* fillet radii		snap ring dimensions		snap ring groove dimensions		Basic Load Ratings lbf N		Weight lb Kg	Limiting speed of Open Bearing (rpm)	
							r	r2	D2 Max	f Max	a Max	b Min	Dynamic Cr	Static Cor		oil	grease
6914	2.7559	.0006	3.9370	.0006	.6299	.0059	.039	.020	4.110	.044	.098	.051	5,354	4,770	.769	7,700	6,500
	70	.015	100	.015	16	.150	1.0	.5	104.4	1.12	2.5	1.3	23,796	21,200	.349		
6915	2.9528	.0006	4.1339	.0006	.6299	.0059	.039	.020	4.358	.044	.098	.051	5,504	5,060	.789	7,400	6,100
	75	.015	105	.015	16	.150	1.0	.5	110.7	1.12	2.5	1.3	24,464	22,509	.358		
6916	3.1496	.0006	4.3307	.0006	.6299	.0059	.039	.020	4.555	.044	.098	.051	5,625	5,390	.862	6,700	5,700
	80	.015	110	.015	16	.150	1.0	.5	115.7	1.12	2.5	1.3	25,000	23,977	.391		
6917	3.3465	.0008	4.7244	.0006	.7087	.0079	.043	.020	4.949	.044	.130	.051	7,200	6,660	1.213	6,300	5,400
	85	.020	120	.015	18	.200	1.1	.5	125.7	1.12	3.3	1.3	32,000	29,600	.550		
6918	3.5433	.0008	4.9213	.0007	.7087	.0079	.043	.020	5.146	.044	.130	.051	7,425	7,105	1.290	6,000	5,100
	90	.020	125	.018	18	.200	1.1	.5	130.71	1.12	3.3	1.3	33,000	31,580	.585		
6919	3.7402	.0008	5.1181	.0007	.7087	.0079	.043	.020	5.343	.044	.130	.051	7,555	7,555	1.325	5,700	4,800
	95	.020	130	.018	18	.200	1.1	.5	135.7	1.12	3.3	1.3	33,582	33,582	.601		
6920	3.9370	.0008	5.5118	.0007	.7874	.0079	.043	.020	5.736	.067	.130	.075	9,675	9,450	1.825	5,300	4,500
	100	.020	140	.018	20	.200	1.1	.5	145.7	1.7	3.3	1.9	43,000	42,000	.828		
6921	4.1339	.0008	5.7087	.0007	.7874	.0079	.043	.020	5.933	.067	.130	.075	9,562	9,460	1.887	5,300	4,300
	105	.020	145	.018	20	.200	1.1	.5	150.7	1.7	3.3	1.9	42,500	42,082	.856		
6922	4.3307	.0008	5.9055	.0007	.7874	.0079	.043	.020	6.130	.067	.130	.075	9,807	10,000	1.969	5,000	4,300
	110	.020	150	.018	20	.200	1.1	.5	155.7	1.7	3.3	1.9	43,590	44,500	.893		
6924	4.7244	.0008	6.4961	.0010	.8661	.0079	.043	.020	6.752	.067	.146	.075	11,925	12,209	2.619	4,400	3,800
	120	.020	165	.025	22	.200	1.1	.5	171.5	1.7	3.7	1.9	53,000	54,265	1.188		
6926	5.1181	.0010	7.0866	.0010	.9449	.0098	.059	.020	7.342	.067	.146	.075	14,625	15,187	3.461	4,100	3,500
	130	.025	180	.025	24	.250	1.5	.5	186.5	1.7	3.7	1.9	65,000	67,500	1.570		
6928	5.5118	.0010	7.4803	.0012	.9449	.0098	.059	.020	7.736	.067	.146	.075	14,962	16,100	3.682	3,800	3,200
	140	.025	190	.030	24	.250	1.5	.5	196.5	1.7	3.7	1.9	66,500	72,000	1.670		
6930	5.9055	.0010	8.2677	.0012	1.1024	.0098	.079						19,000	20,362	6.636	3,500	3,000
	150	.025	210	.030	28	.250	2.0						85,000	90,500	3.010		
6932	6.2992	.0010	8.6614	.0012	1.1024	.0098	.079						19,575	21,600	5.975	3,300	2,800
	160	.025	220	.030	28	.250	2.0						87,000	96,000	2.710		
6934	6.6929	.0010	9.0551	.0012	1.1024	.0098	.079						19,350	21,825	7.275	3,100	2,600
	170	.025	230	.030	28	.250	2.0						86,000	97,000	3.300		
6936	7.0866	.0010	9.8425	.0012	1.2992	.0098	.079						26,752	28,800	9.171	2,900	2,400
	180	.025	250	.030	33	.250	2.0						119,000	128,114	4.160		
6938	7.4803	.0012	1.2362	.0014	1.2992	.0118	.079						25,425	28,575	11.420	2,700	2,300
	190	.030	260	.035	33	.300	2.0						113,000	127,000	5.180		
6940	7.8740	.0012	11.0236	.0014	1.4961	.0118	.083						32,100	37,800	16.050	2,600	2,200
	200	.030	280	.035	38	.300	2.10						157,000	168,000	7.280		

*Maximum fillet which corner radius of bearing will clear.