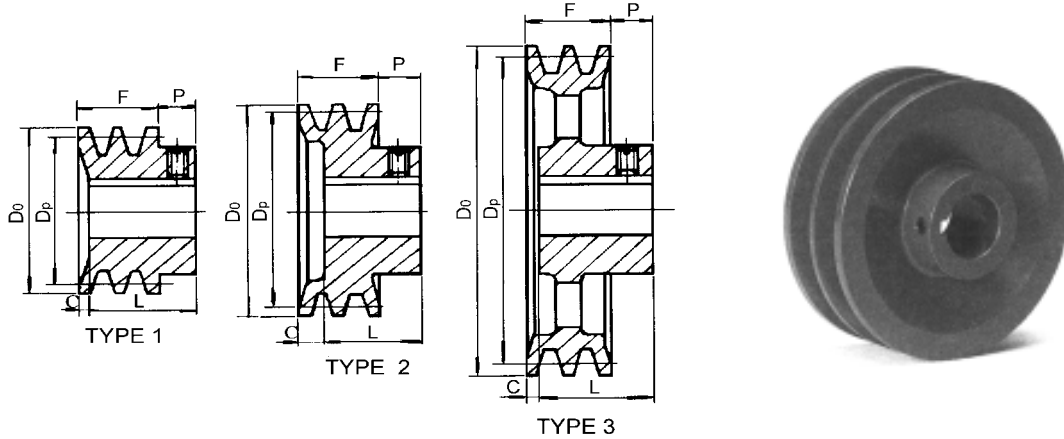




SHEAVE

Light Duty Bored-To-Size Sheaves

Two Groove Sheaves for "4L" "5L" & "B" Belts



Part No.	Diameters(in.)			Type	Dimensions(in.)				Stock Bores(in.)	List Price
	D ₀	D _p			F	L	P	C		
"4L"		"5L+B"								
2BK25	2.50	1.90	2.30	1	1 ³ / ₄	1 ³¹ / ₃₂	15/32	1/4	1/2, 5/8, 3/4, 7/8	29.08
2BK27	2.70	2.10	2.50	1	1 ³ / ₄	1 ³¹ / ₃₂	15/32	1/4	1/2, 5/8, 3/4, 7/8, 1, 1 ¹ / ₈	30.22
2BK28	2.95	2.20	2.60	1	1 ³ / ₄	1 ³¹ / ₃₂	15/32	1/4	1/2, 5/8, 3/4, 7/8, 1, 1 ¹ / ₈	32.43
2BK30	3.15	2.40	2.80	1	1 ³ / ₄	1 ³¹ / ₃₂	15/32	1/4	1/2, 5/8, 3/4, 7/8, 1, 1 ¹ / ₈	34.92
2BK32	3.35	2.60	3.00	1	1 ³ / ₄	1 ³¹ / ₃₂	15/32	1/4	5/8, 3/4, 7/8, 1, 1 ¹ / ₈	36.00
2BK34	3.55	2.80	3.20	1	1 ³ / ₄	1 ³¹ / ₃₂	15/32	1/4	5/8, 3/4, 7/8, 1, 1 ¹ / ₈	37.63
2BK36	3.75	3.00	3.40	1	1 ³ / ₄	1 ³¹ / ₃₂	15/32	1/4	3/4, 7/8, 1, 1 ¹ / ₈ , 1 ³ / ₈	38.60
2BK40	3.95	3.20	3.60	2	1 ³ / ₄	1 ¹⁵ / ₃₂	15/32	3/4	5/8, 3/4, 7/8, 1, 1 ¹ / ₈	40.40
2BK45	4.25	3.50	3.90	2	1 ³ / ₄	1 ¹⁵ / ₃₂	15/32	3/4	1, 1 ¹ / ₈ , 1 ³ / ₈	43.37
2BK47	4.45	3.70	4.10	2	1 ³ / ₄	1 ¹⁵ / ₃₂	15/32	3/4	7/8, 1, 1 ¹ / ₈	43.91
2BK50	4.75	4.00	4.40	2	1 ³ / ₄	1 ¹⁵ / ₃₂	15/32	3/4	3/4, 1, 1 ¹ / ₈ , 1 ³ / ₈	46.38
2BK52	4.95	4.20	4.60	2	1 ³ / ₄	1 ¹⁵ / ₃₂	15/32	3/4	5/8, 7/8, 1, 1 ¹ / ₈ , 1 ³ / ₈	46.54
2BK55	5.25	4.50	4.90	2	1 ³ / ₄	1 ¹⁵ / ₃₂	15/32	3/4	1 ¹ / ₈ , 1 ³ / ₈	50.26
2BK57	5.45	4.70	5.10	2	1 ³ / ₄	1 ¹⁵ / ₃₂	15/32	3/4	1, 1 ¹ / ₈ , 1 ³ / ₈	51.71
2BK60	5.75	5.00	5.40	3	1 ³ / ₄	1 ¹⁵ / ₃₂	15/32	3/4	3/4, 7/8, 1, 1 ¹ / ₈ , 1 ³ / ₈	53.98
2BK62	5.95	5.20	5.60	3	1 ³ / ₄	1 ¹⁵ / ₃₂	15/32	3/4	1, 1 ¹ / ₈ , 1 ³ / ₈	55.07
2BK65	6.25	5.50	5.90	3	1 ³ / ₄	1 ¹⁵ / ₃₂	15/32	3/4	1, 1 ¹ / ₈ , 1 ³ / ₈	58.43
2BK67	6.45	5.70	6.10	3	1 ³ / ₄	1 ¹⁵ / ₃₂	15/32	3/4	1, 1 ¹ / ₈ , 1 ³ / ₈	61.79
2BK70	6.75	6.00	6.40	3	1 ³ / ₄	1 ¹⁹ / ₃₂	11/32	1/2	3/4, 1, 1 ¹ / ₈ , 1 ³ / ₁₆ , 1 ³ / ₈ , 1 ⁷ / ₁₆	68.50
2BK80	7.75	7.00	7.40	3	1 ³ / ₄	1 ¹⁹ / ₃₂	11/32	1/2	3/4, 1, 1 ¹ / ₈ , 1 ³ / ₁₆ , 1 ³ / ₈ , 1 ⁷ / ₁₆	72.76
2BK90	8.75	8.00	8.40	3	1 ³ / ₄	1 ¹⁹ / ₃₂	11/32	1/2	3/4, 1, 1 ¹ / ₈ , 1 ³ / ₁₆ , 1 ³ / ₈ , 1 ⁷ / ₁₆	75.21
2BK100	9.75	9.00	9.40	3	1 ³ / ₄	1 ¹⁹ / ₃₂	11/32	1/2	3/4, 1, 1 ³ / ₁₆ , 1 ³ / ₈ , 1 ⁷ / ₁₆	88.46
2BK110	10.75	10.00	10.40	3	1 ³ / ₄	1 ¹⁹ / ₃₂	11/32	1/2	1, 1 ³ / ₁₆ , 1 ⁷ / ₁₆	93.99
2BK120	11.75	11.00	11.40	3	1 ³ / ₄	1 ¹⁹ / ₃₂	11/32	1/2	1, 1 ³ / ₁₆ , 1 ⁷ / ₁₆	101.80
2BK130	12.75	12.00	12.40	3	1 ³ / ₄	1 ¹⁹ / ₃₂	11/32	1/2	1, 1 ³ / ₁₆ , 1 ⁷ / ₁₆	114.41
2BK140	13.75	13.00	13.40	3	1 ³ / ₄	1 ¹⁹ / ₃₂	11/32	1/2	1, 1 ³ / ₁₆ , 1 ⁷ / ₁₆	120.03
2BK160	15.75	15.00	15.40	3	1 ³ / ₄	1 ¹⁹ / ₃₂	11/32	1/2	1, 1 ³ / ₁₆ , 1 ⁷ / ₁₆	142.99
2BK190	18.75	18.00	18.40	3	1 ³ / ₄	1 ¹⁹ / ₃₂	11/32	1/2	1 ³ / ₁₆ , 1 ⁷ / ₁₆	183.36

Standard Keyseats	
Bore-Range	Keyseat
1/2	None
5/8 - 7/8	3/16 X 3/32
15/16 - 1 1/4	1/4 X 1/8
1 7/16	3/8 X 3/16

2BK sheaves are precision machined from gray cast iron, statically balanced painted with baked enamel finish and individually packaged. Sheaves are furnished with standard keyways & set screws.