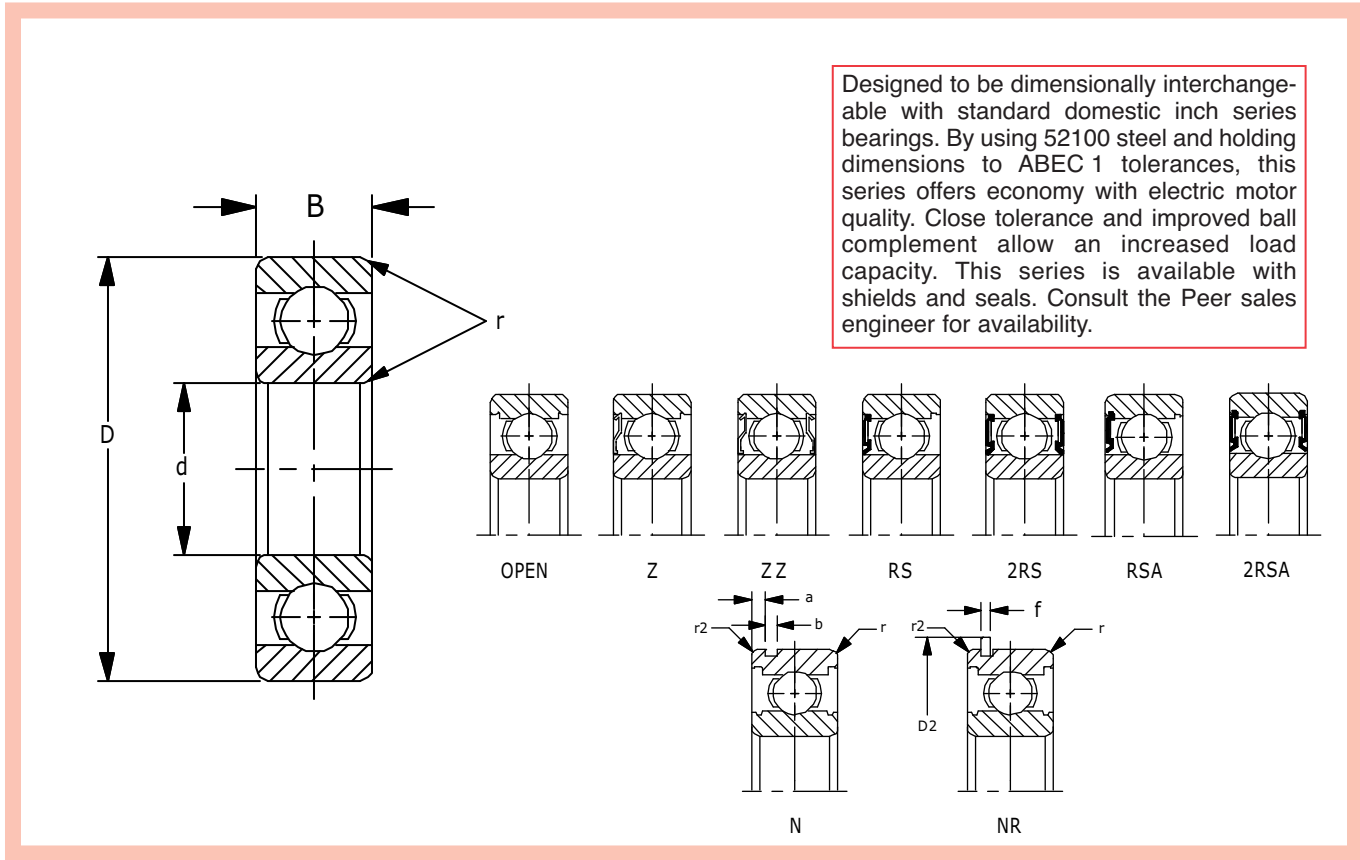


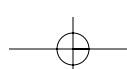
# 1600 SERIES



Units: Inches  
Metric

Part Number	Bore d	Tolerance +.0000 to minus	OD D	Tolerance +.0000 to minus	Width (inch) (B)	Tolerance +.0000 to minus	* fillet radii r	Basic Load Ratings	
								Dynamic Cr	Static Cor
1601	3/16	.0010	1 1/16	.0005	1/4	.0050	.012	490	168
	.1875		.6875		†.2500			2,180	748
1602	1/4	.0005	1 1/16	.0005	1/4	.0050	.012	545	196
	.2500		.6875		†.2500			2,424	872
1603	5/16	.0005	7/8	.0005	9/32	.0050	.012	825	317
	.3125		.8750		††.2812			3,670	1,411
1604	3/8	.0005	7/8	.0005	9/32	.0050	.015	825	317
	.3750		.8750		††.2812			3,670	1,411
1605	5/16	.0005	29/32	.0005	5/16	.0050	.012	835	326
	.3125		.9062		.3125			3,714	1,449
1606	3/8	.0005	29/32	.0005	5/16	.0050	.015	835	326
	.3750		.9062		.3125			3,714	1,449
1607	7/16	.0008	29/32	.0005	5/16	.0050	.015	835	326
	.4375		.9062		.3125			3,714	1,449
1614	3/8	.0005	1 1/8	.0005	3/8	.0050	.025	1265	538
	.3750		1.1250		.3750			5,627	2,392
1615	7/16	.0005	1 1/8	.0005	3/8	.0050	.025	1265	538
	.4375		1.1250		.3750			5,627	2,392
1616	1/2	.0005	1 1/8	.0005	3/8	.0050	.025	1265	538
	.5000		1.1250		.3750			5,627	2,392
1620	7/16	.0005	1 3/8	.0005	7/16	.0050	.025	1890	836
	.4375		1.3750		.4375			8,407	3,716
1621	1/2	.0005	1 3/8	.0005	7/16	.0050	.025	1890	836
	.5000		1.3750		.4375			8,407	3,716

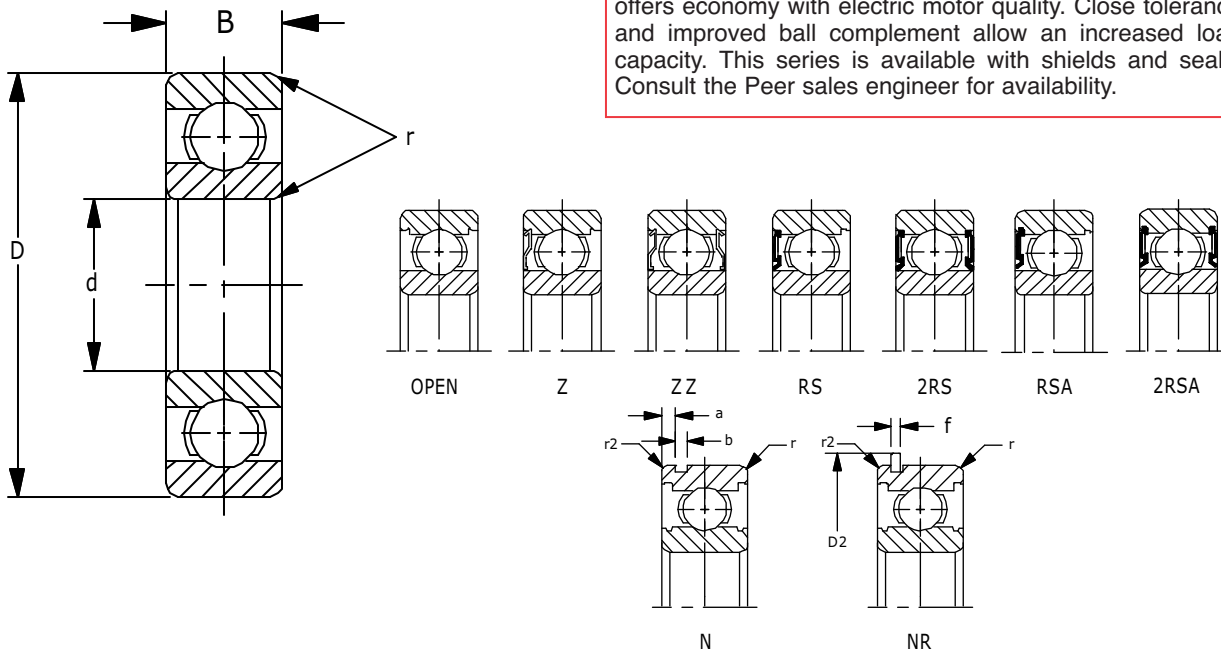
\*Maximum fillet which corner radius of bearing will clear. †Width 5/16 for RS and 2RS types. ††Width 11/32 for RS and 2RS types.





# 1600 SERIES (continued)

Designed to be dimensionally interchangeable with standard domestic inch series bearings. By using 52100 steel and holding dimensions to ABEC 1 tolerances, this series offers economy with electric motor quality. Close tolerance and improved ball complement allow an increased load capacity. This series is available with shields and seals. Consult the Peer sales engineer for availability.



Units: Inches  
Metric

Part Number	Bore d	Tolerance +.0000 to minus	OD D	Tolerance +.0000 to minus	Width (inch)	Tolerance +.0000 to minus	* fillet radii r	Basic Load Ratings	
								Dynamic Cr	Static Cor
1622	9/16	.0005	1 3/8	.0005	7/16	.0050	.025	1890	836
	.5625		1.3750		.4375			8,407	3,716
1623	5/8	.0005	1 3/8	.0005	7/16	.0050	.025	1890	836
	.6250		1.3750		.4375			8,407	3,716
1628	5/8	.0005	1 5/8	.0005	1/2	.0050	.025	2600	1010
	.6250		1.6250		.5000			11,564	4,492
1630	3/4	.0005	1 5/8	.0005	1/2	.0050	.025	2320	1117
	.7500		1.6250		.5000			10,320	4,966
1633	5/8	.0005	1 3/4	.0005	1/2	.0050	.025	2325	1142
1635	.6250	.0005	1.7500	.0005	.5000	.0050	.025	10,343	5,079
	3/4		1 3/4		1/2			2325	1142
1638	.7500	.0005	1.7500	.0006	.5000	.0047	.035	10,343	5,079
	3/4		2		9/16			2485	1338
1640	.7500	.0005	2.0000	.0006	.5625	.0047	.035	11,054	5,952
	7/8		2		9/16			2485	1338
1641	.8750	.0005	2.0000	.0006	.5625	.0047	.035	11,054	5,952
	1		2		9/16			3465	1752
1652	1.0000	.0005	2.0000	.0006	.5625	.0047	.035	15,414	7,794
	1 1/8		2 1/2		5/8			3955	2300
1654	1.1250	.0005	2.5000	.0006	.6250	.0047	.035	17,593	10,231
	1 1/4		2 1/2		5/8			3955	2300
1657	1.2500	.0005	2.5000	.0006	.6250	.0047	.035	17,593	10,231
	1 1/4		2 5/16		11/16			390	2317
1658	1.2500	.0005	2.5625	.0006	.6875	.0047	.035	17,571	10,305
	1 5/16		2 5/16		11/16			3950	2317
	1.3125		2.5625		.6875			17,571	10,305

\*Maximum fillet which corner radius of bearing will clear.