

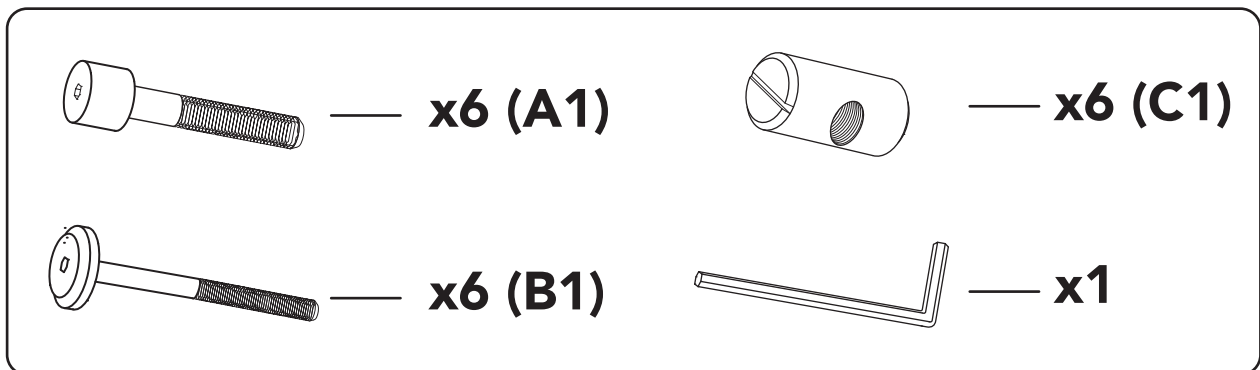
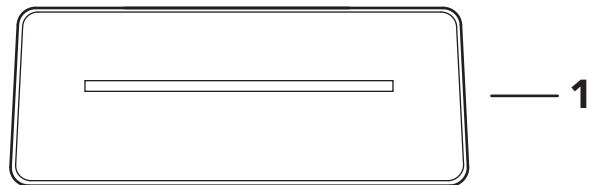
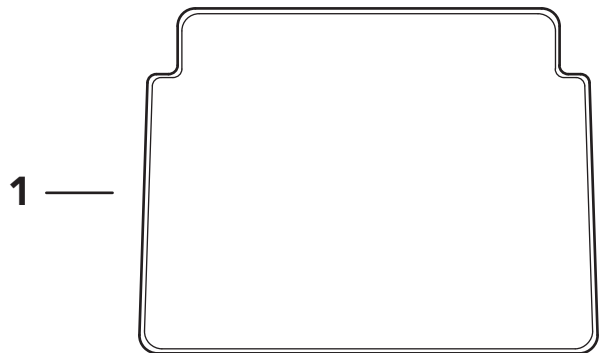
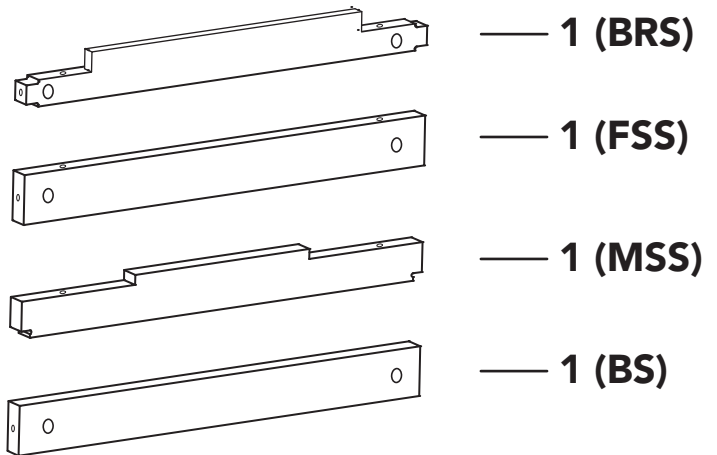
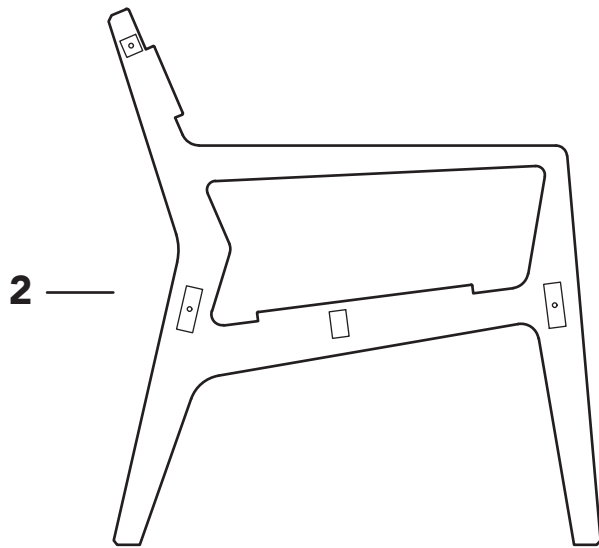
# The Lounge Chair



**caramba**

caramba.store | @my.caramba

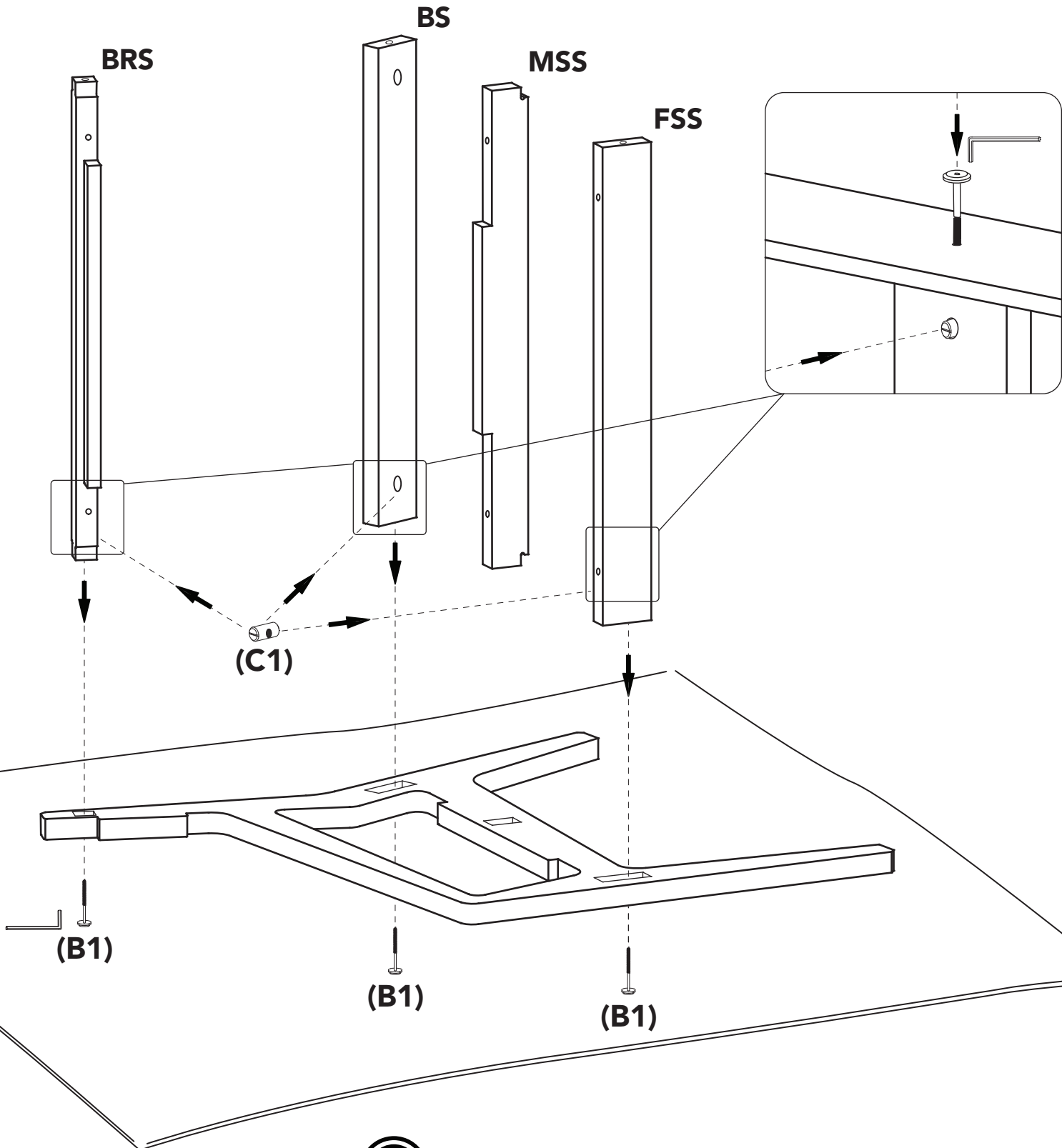
# What you get



The wood screw anchors are already attached to the plywood parts.  
In order to avoid wood tear, do not over tighten the screws!

# You can do this!

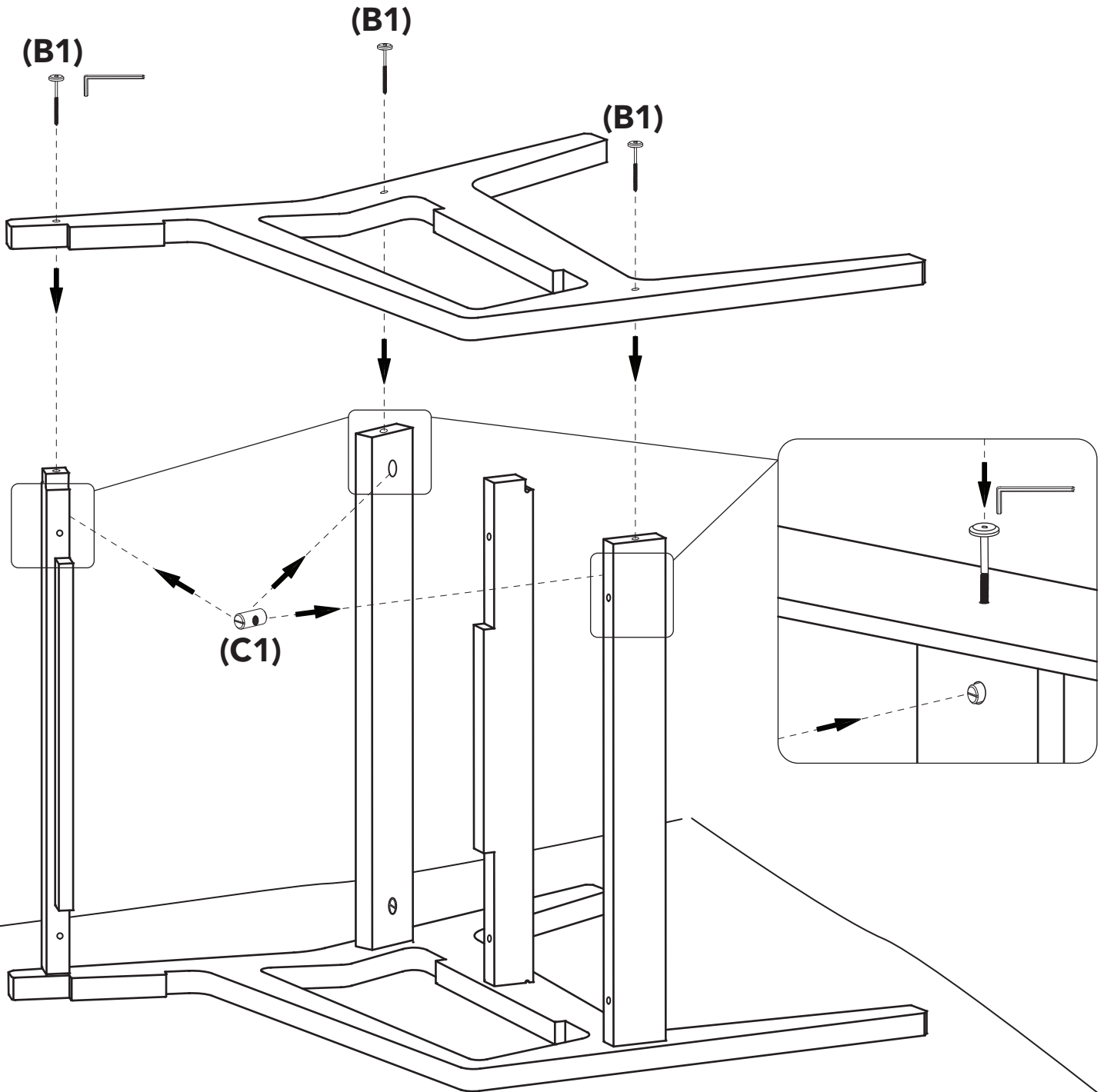
**1**



**caramba**

caramba.store | @my.caramba

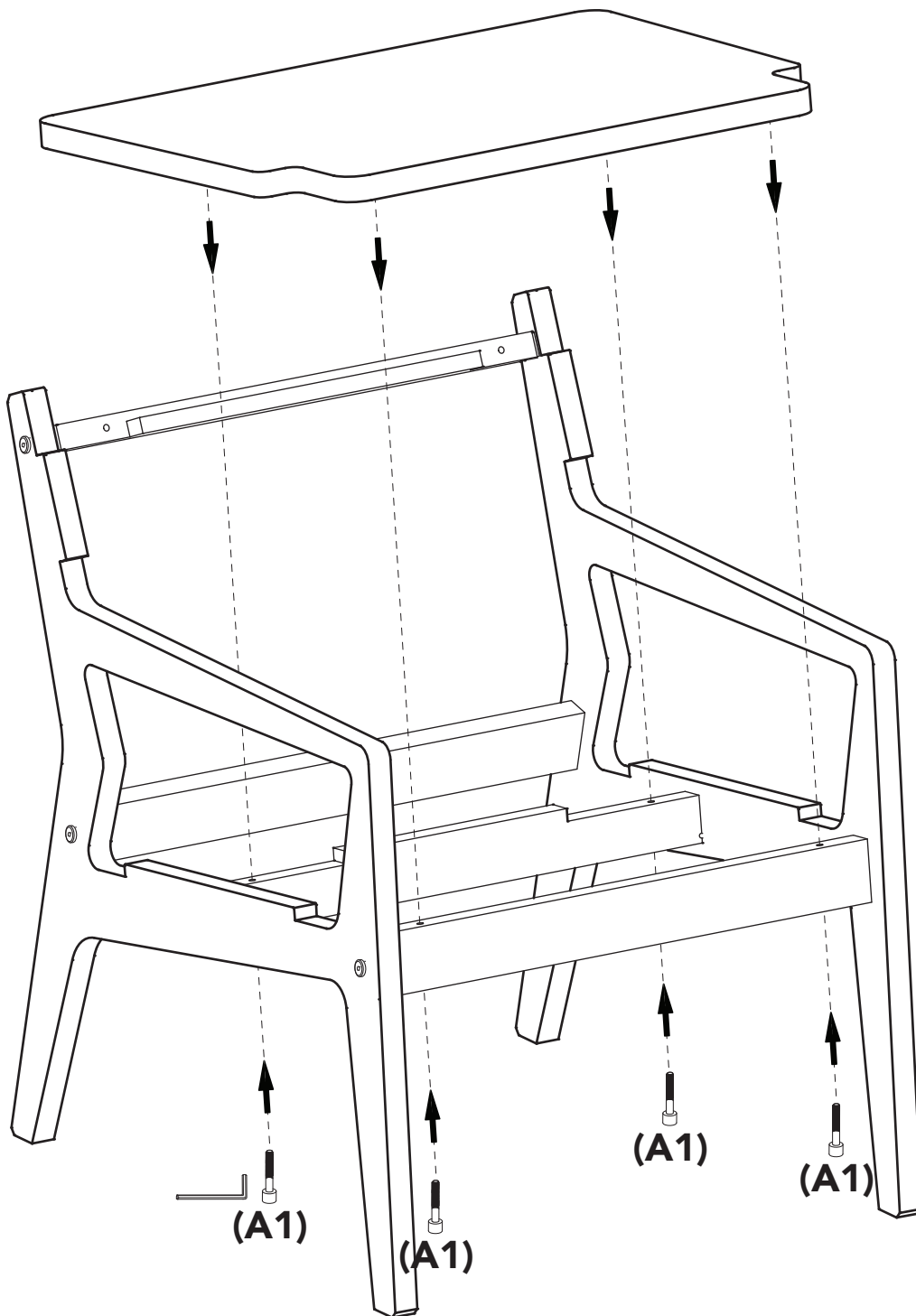
**2**



**caramba**

caramba.store | @my.caramba

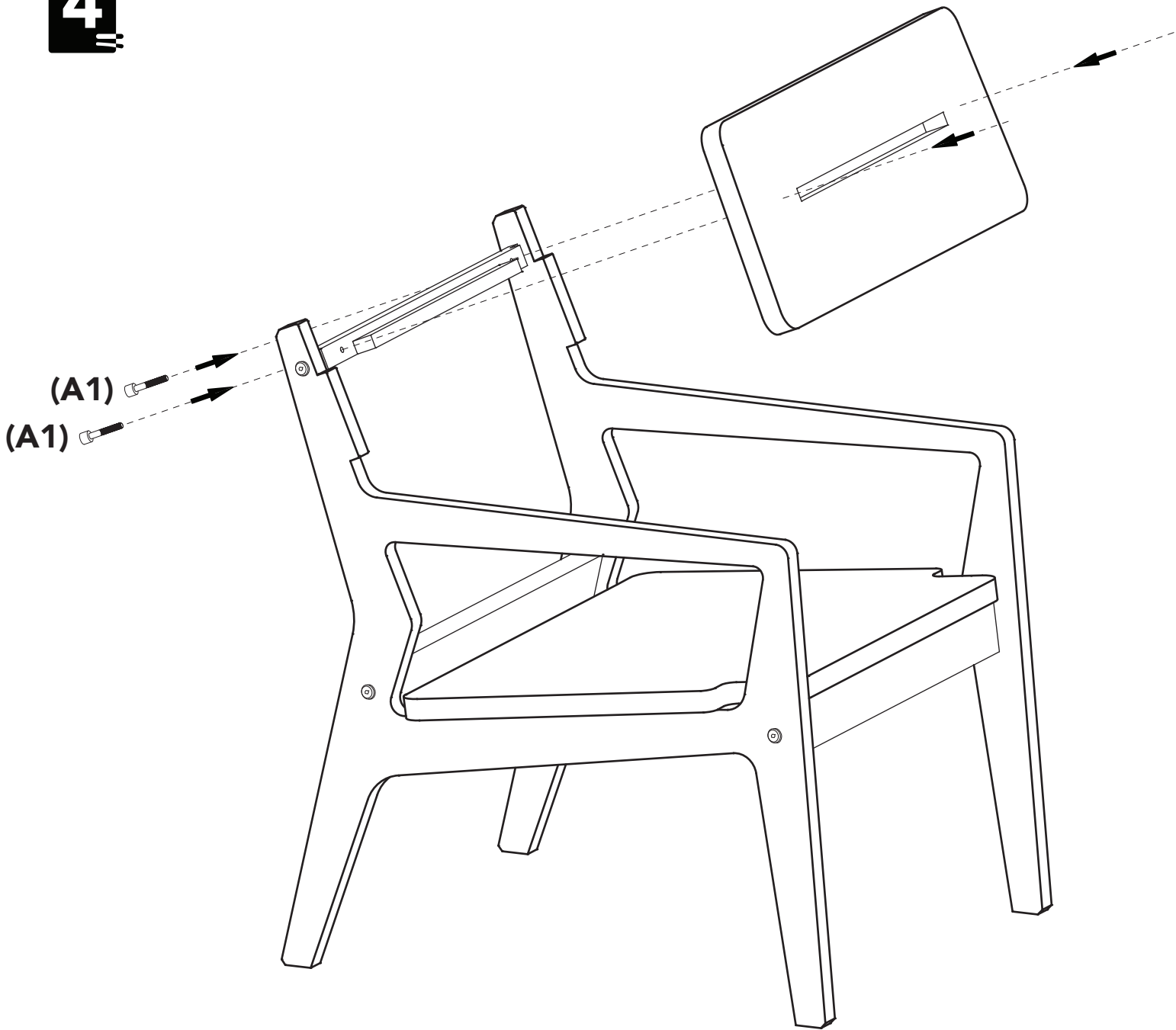
3



**caramba**

caramba.store | @my.caramba

**4**



**Done!**



**caramba**

caramba.store | @my.caramba