



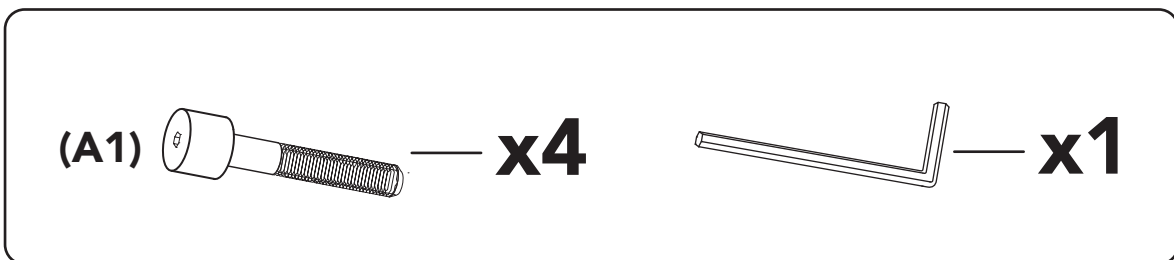
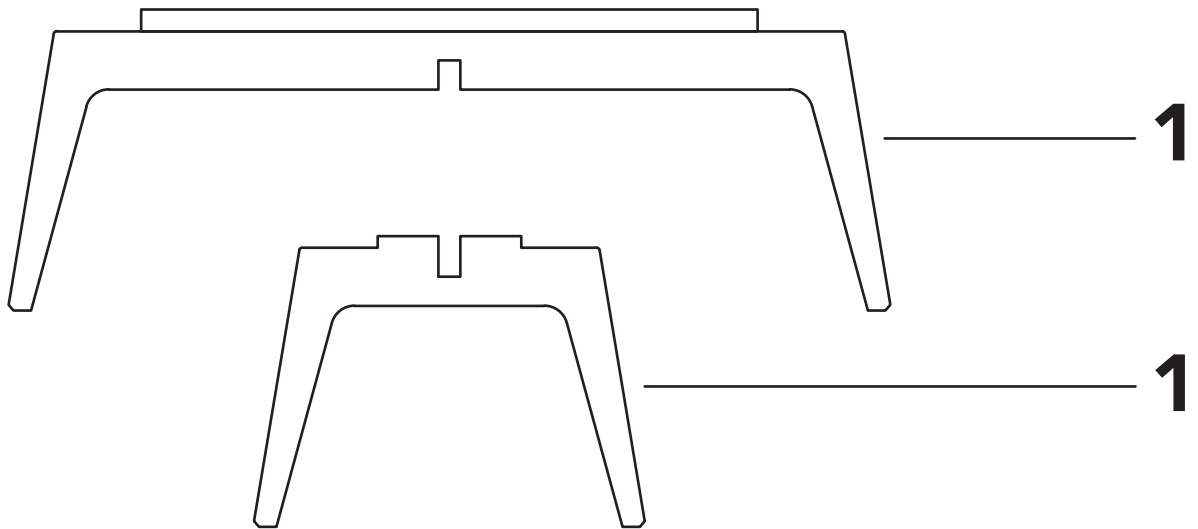
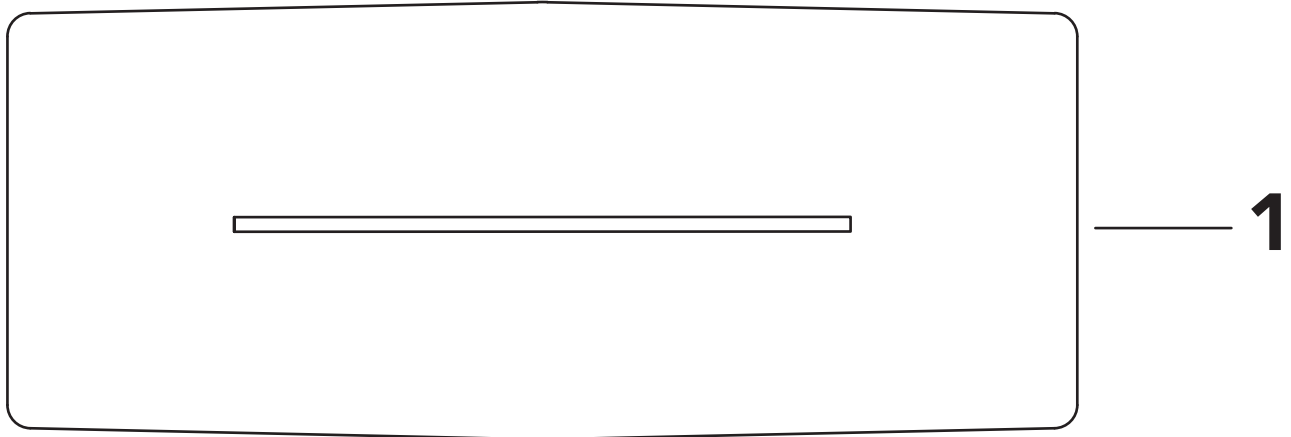
The Long Coffee Table



caramba

caramba.store | @my.caramba

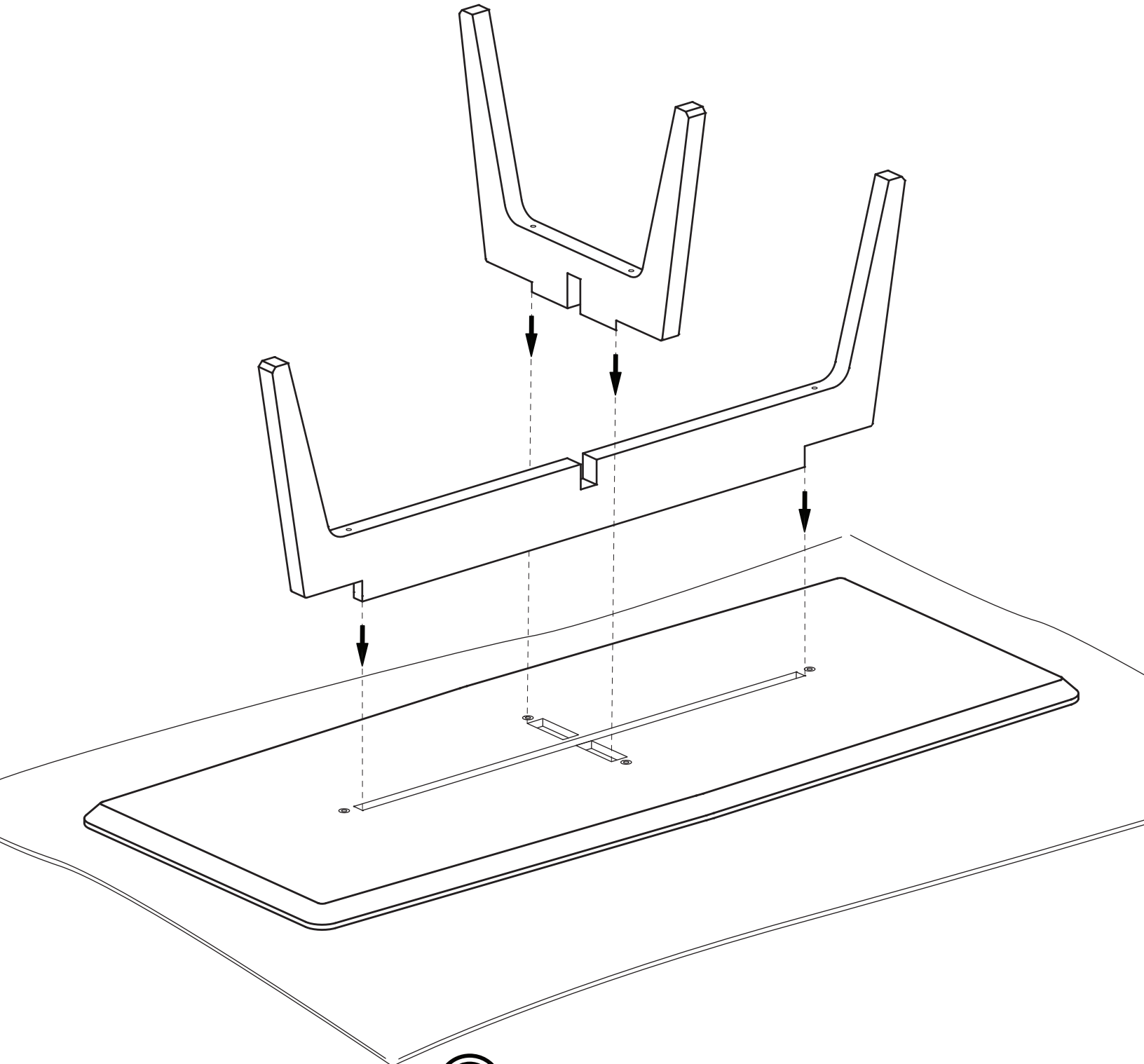
What you get



The wood screw anchors are already attached to the plywood parts.
In order to avoid wood tear, do not over tighten the screws!

Too Easy!

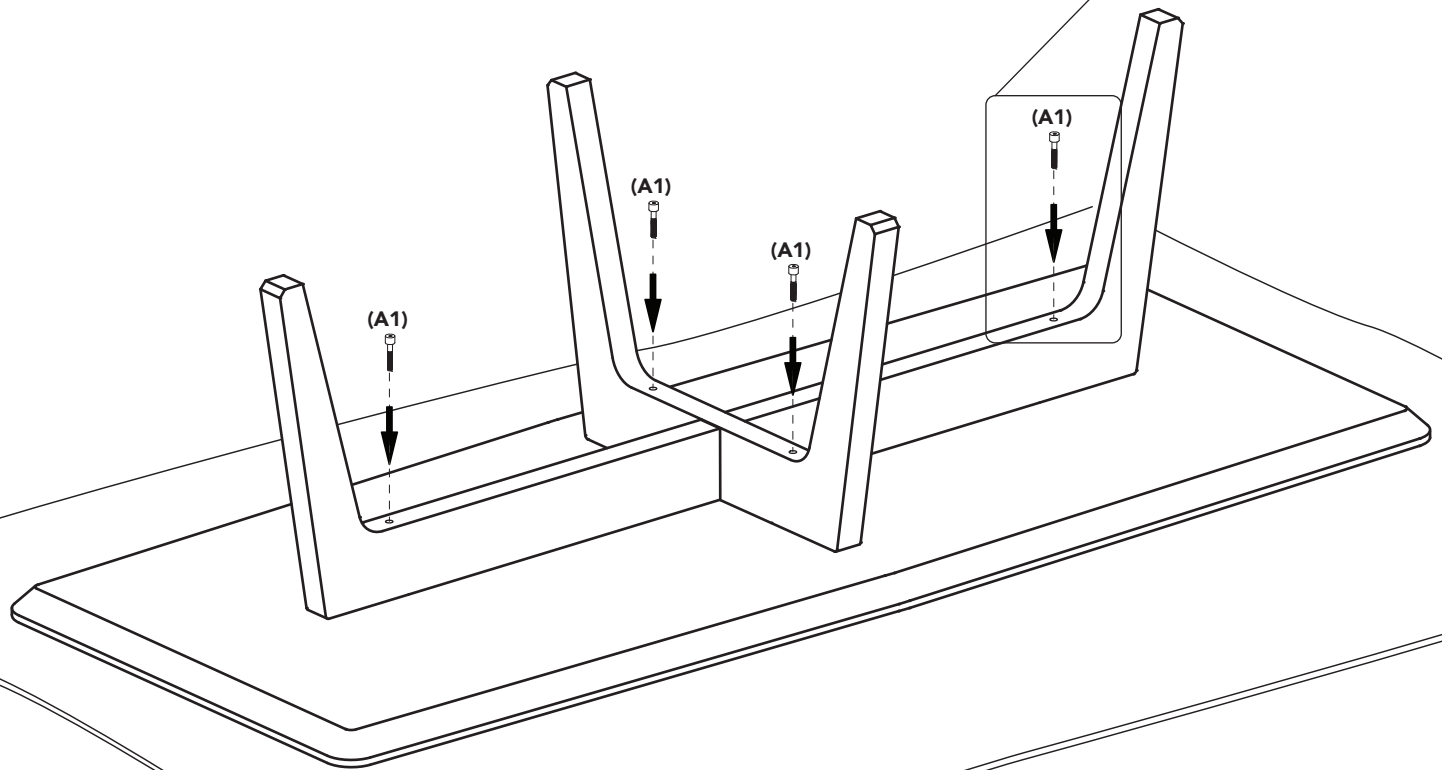
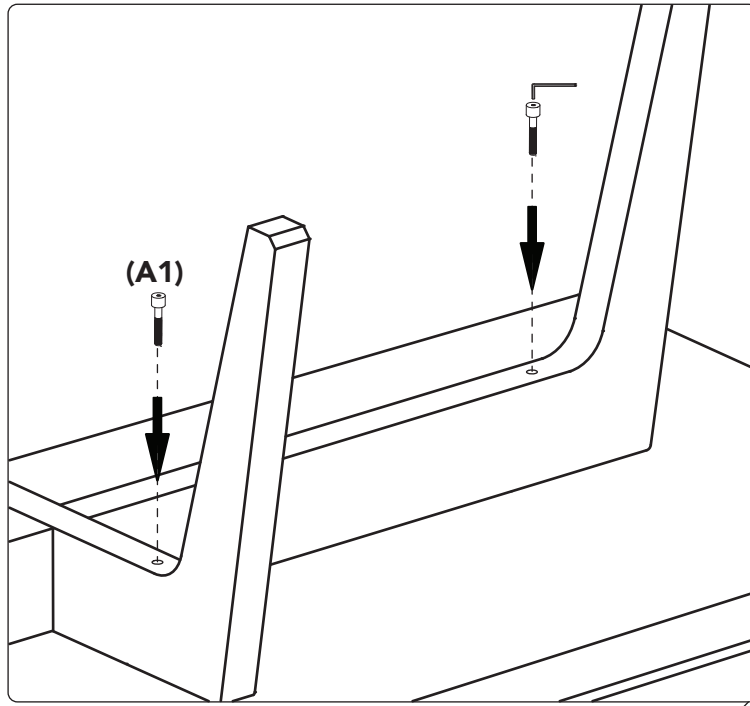
1



caramba

caramba.store | @my.caramba

2



Done!



caramba.store | @my.caramba