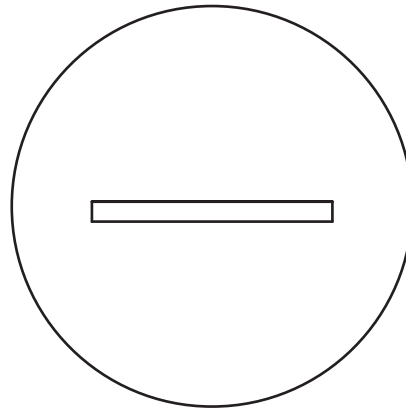


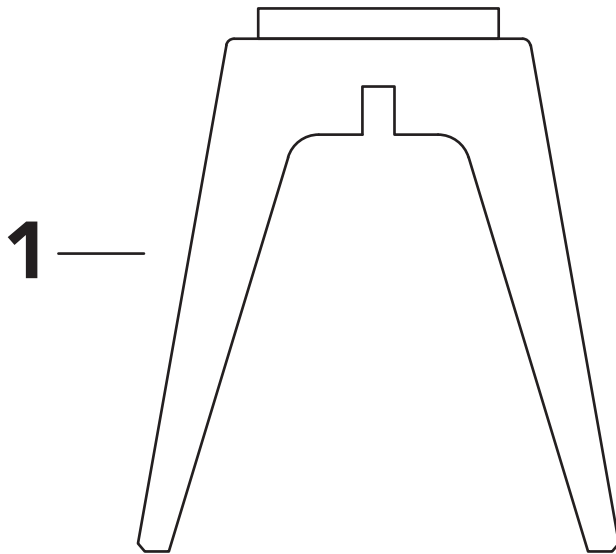


The Humble Stool

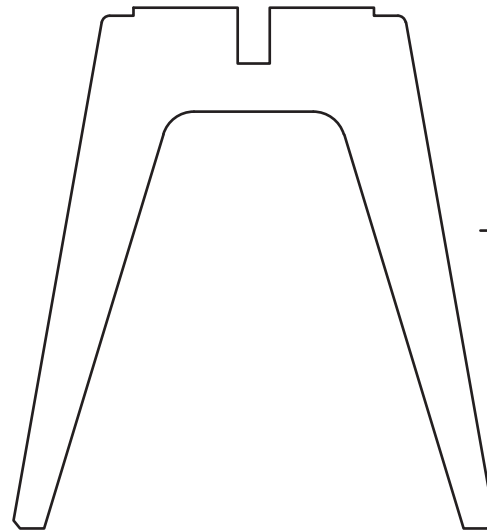
What you get



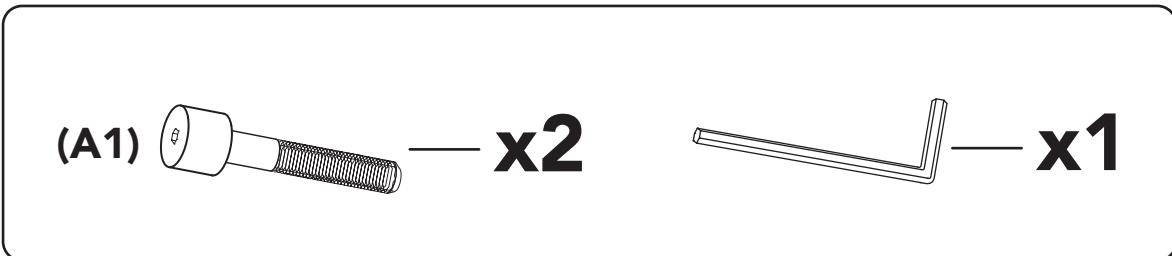
— 1



1 —



— 1

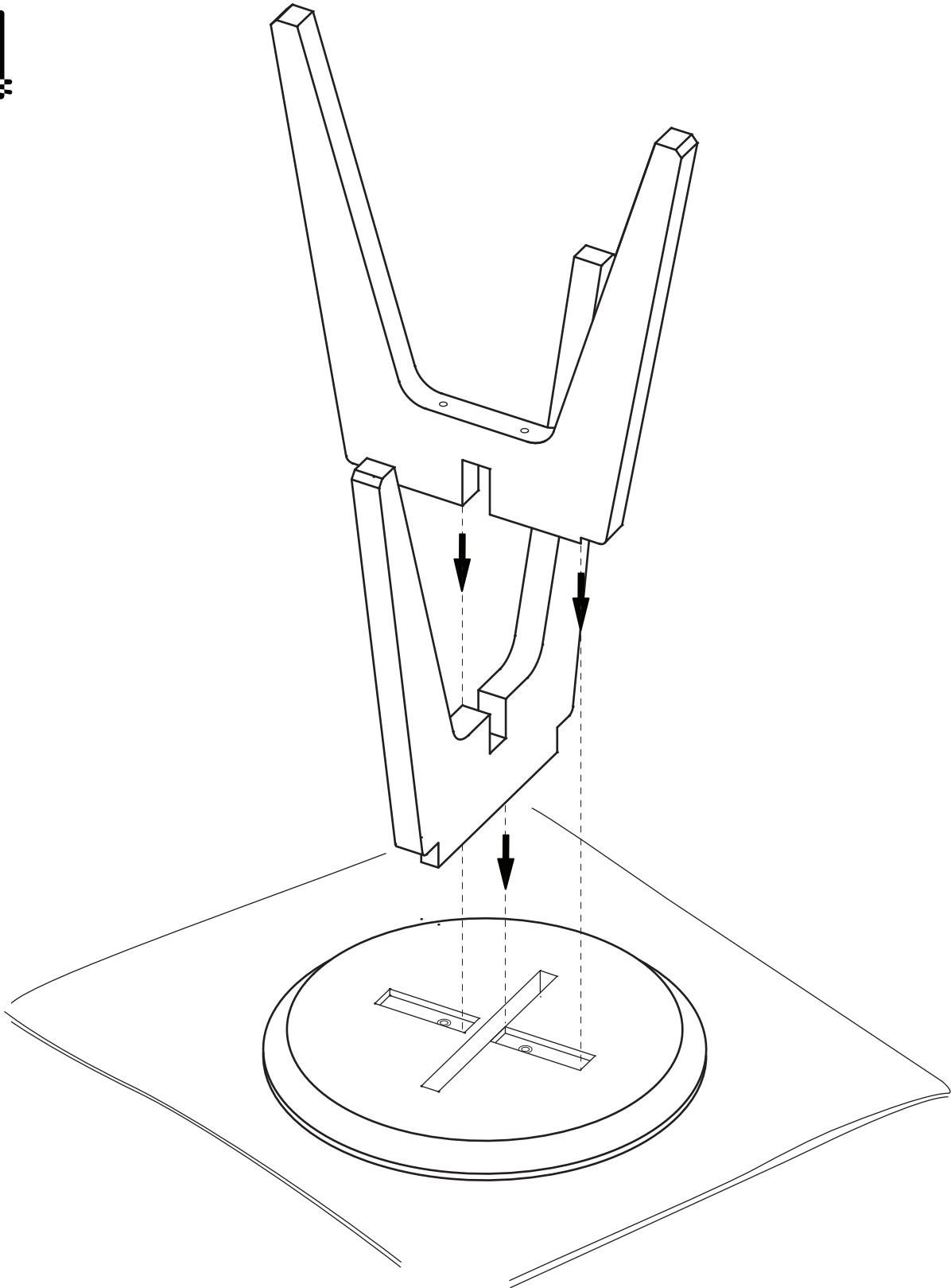


The wood screw anchors are already attached to the plywood parts.
In order to avoid wood tear, do not over tighten the screws!

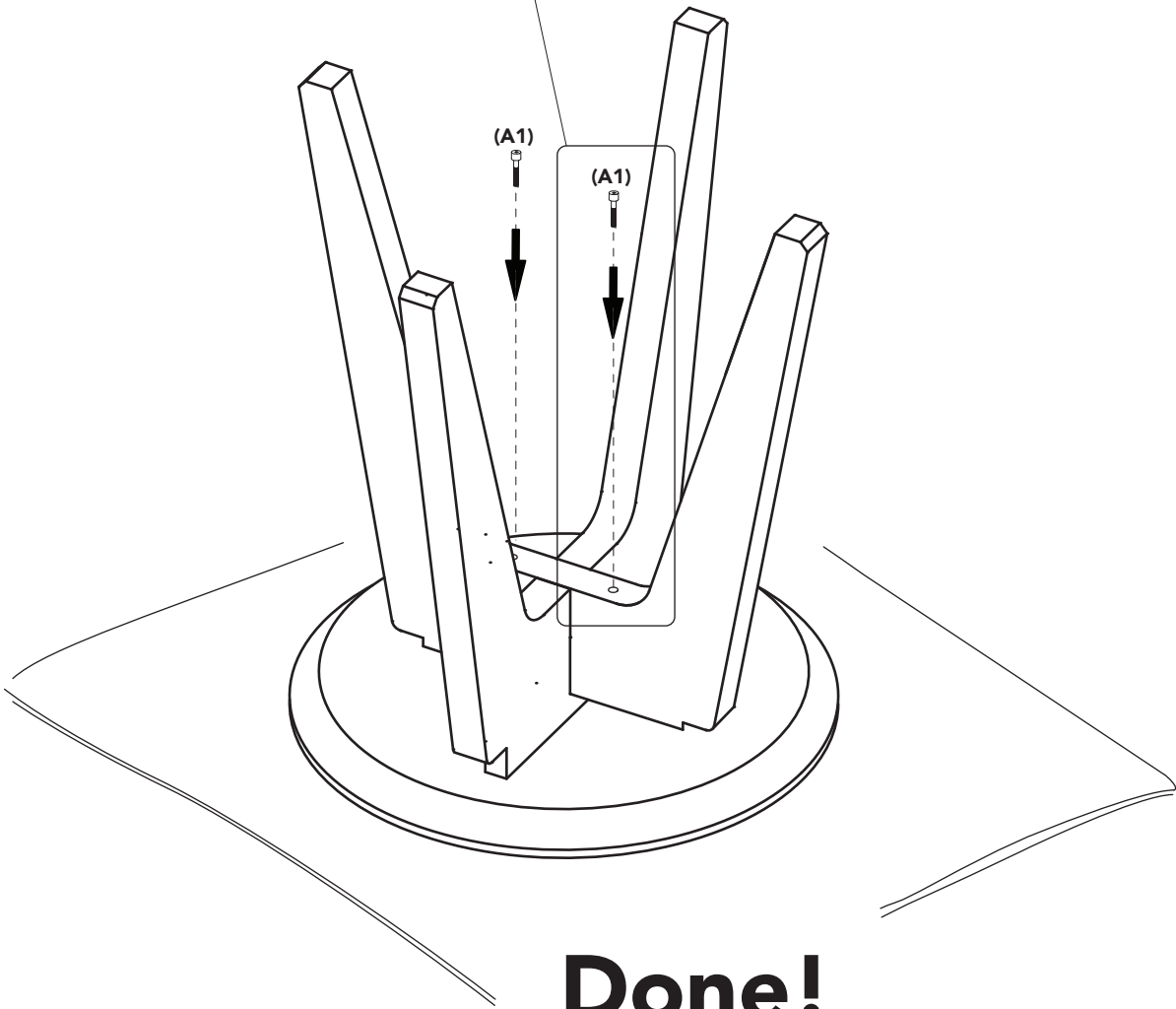
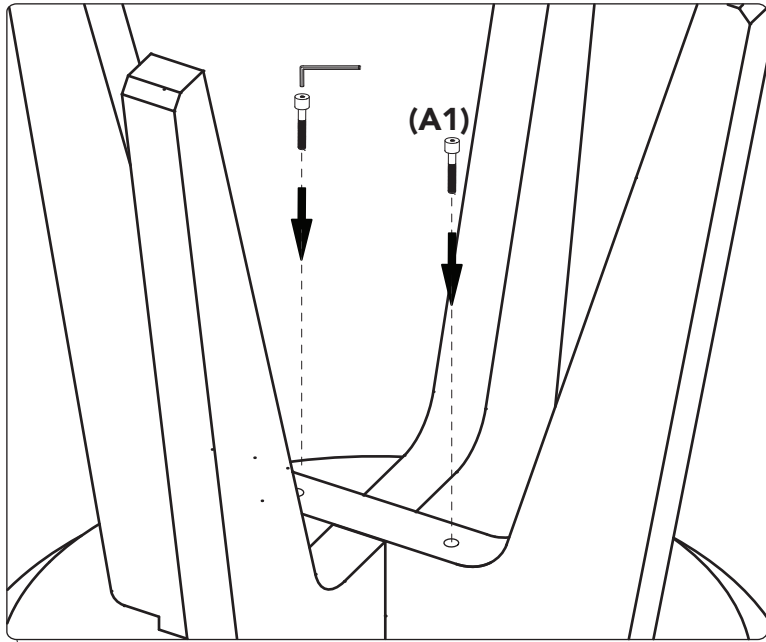


Too Easy!

1



2



Done!

