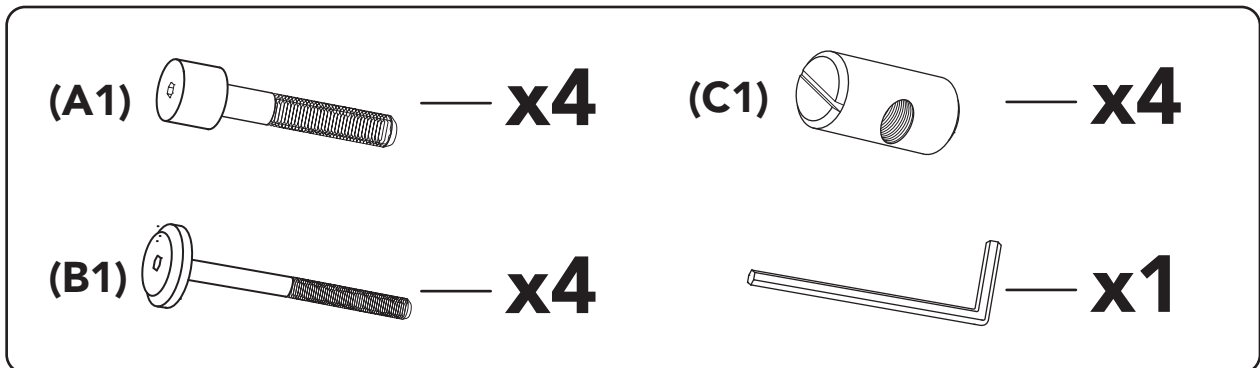
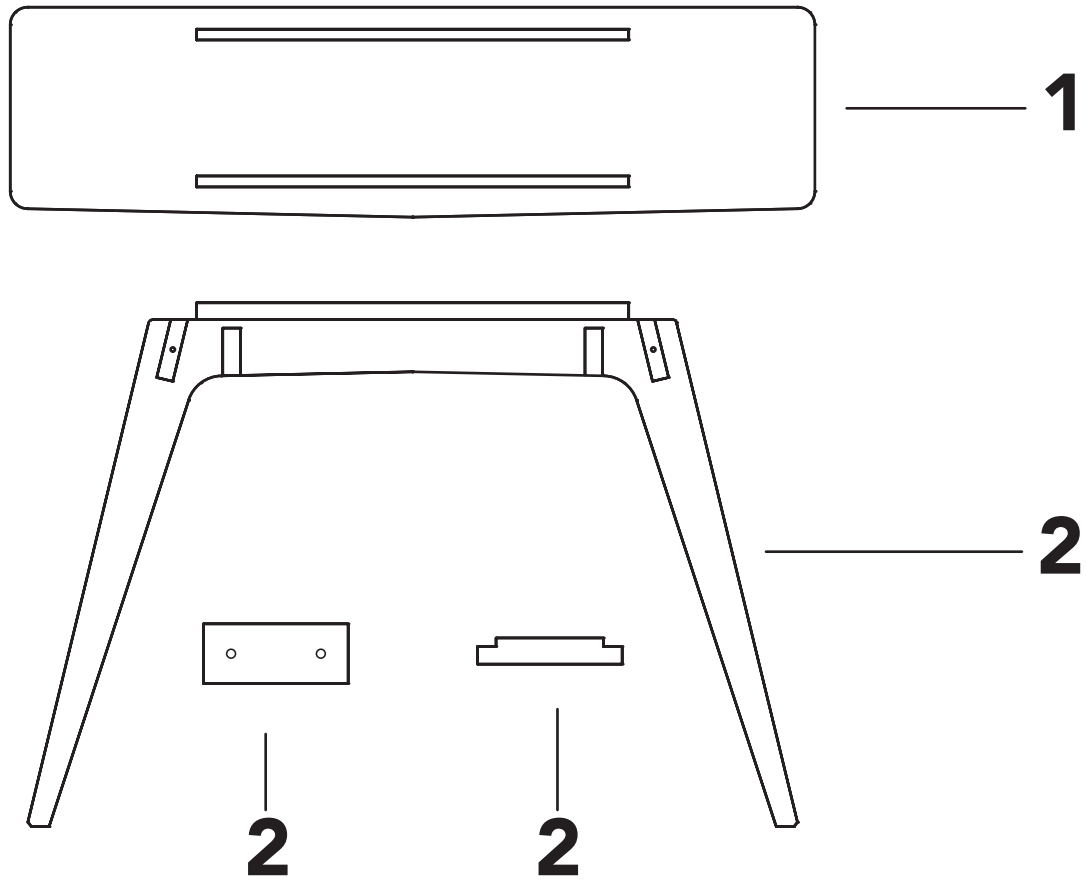


The Console Table



caramba.store | @my.caramba

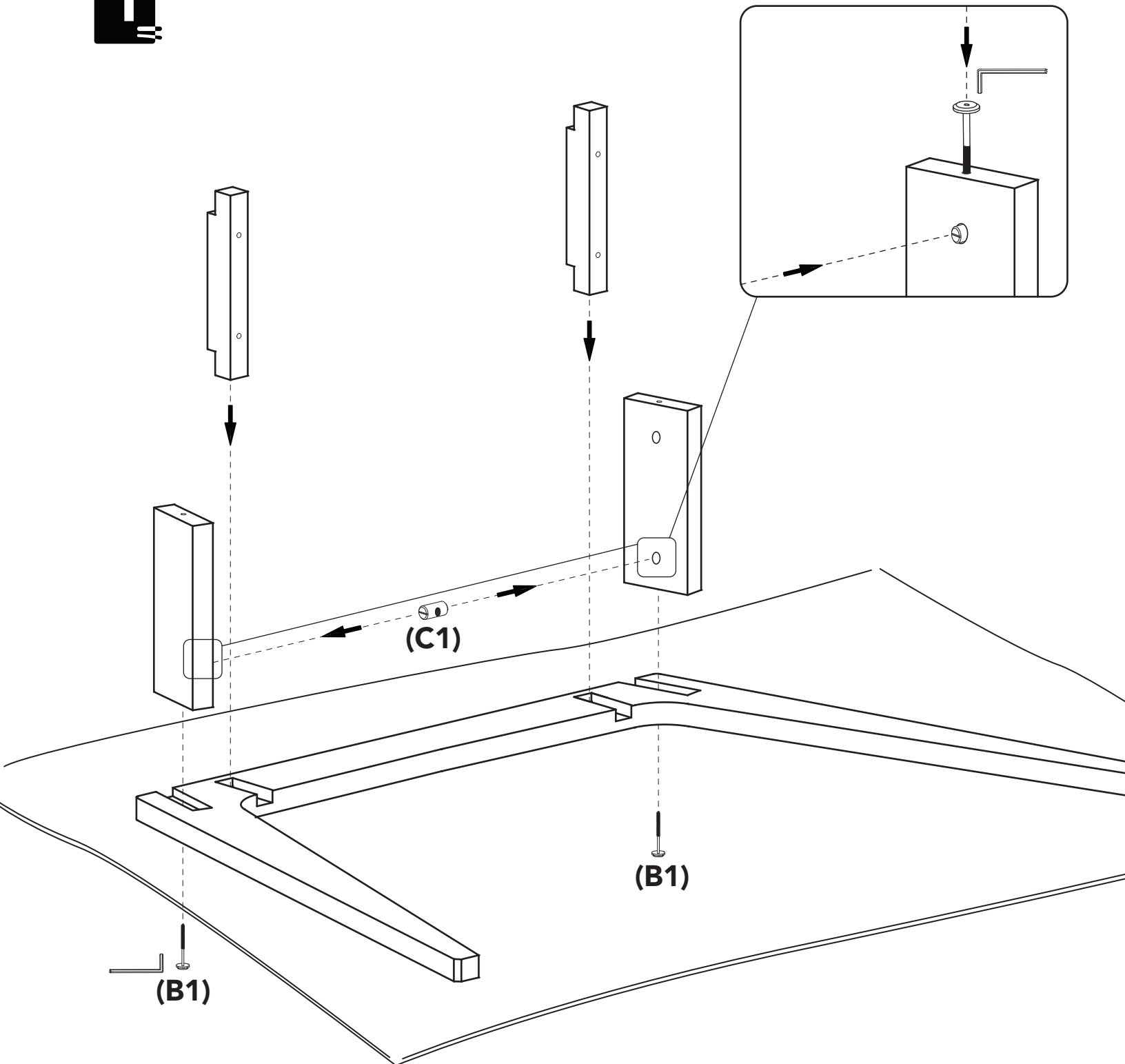
What you get



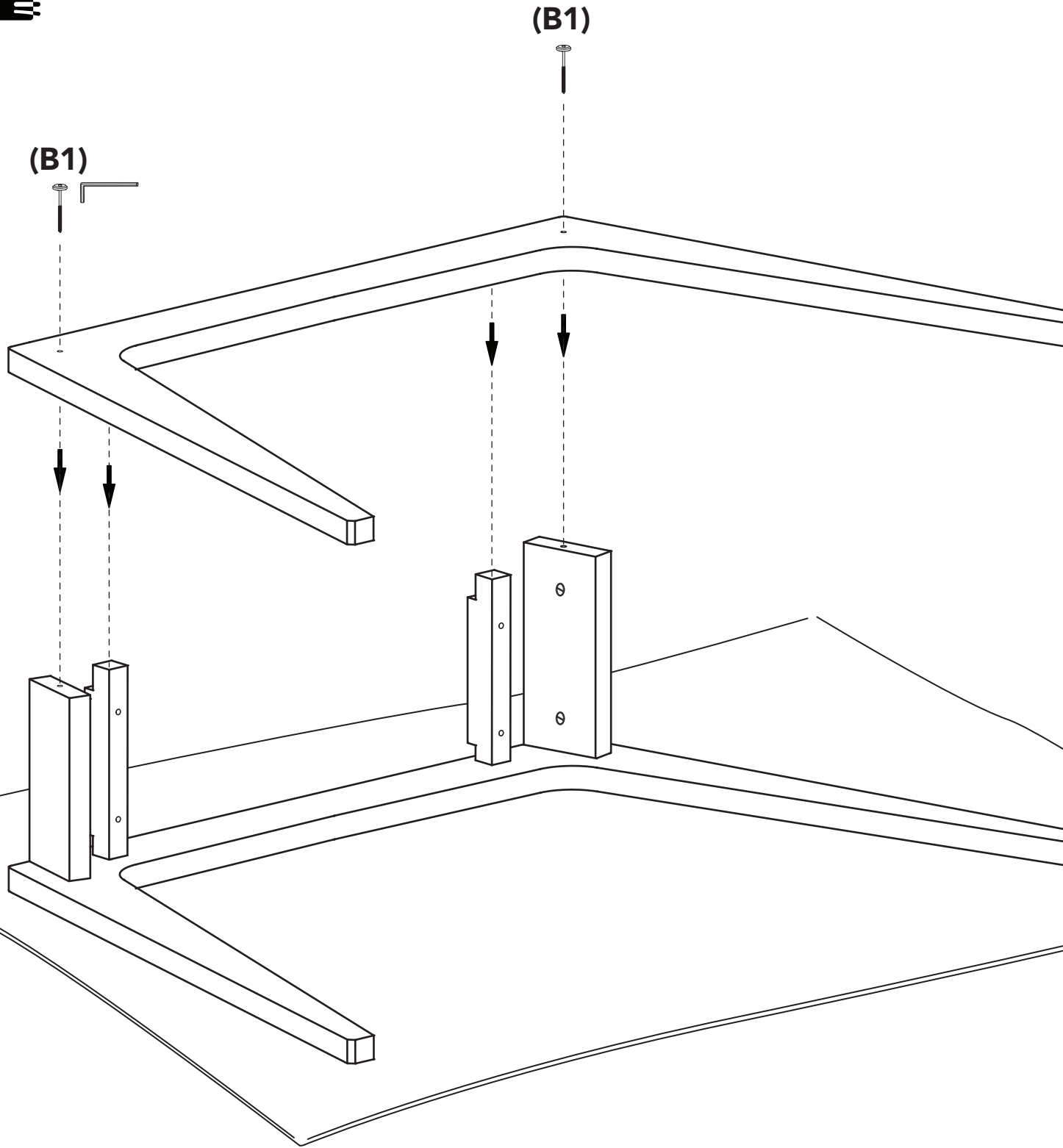
The wood screw anchors are already attached to the plywood parts.
In order to avoid wood tear, do not over tighten the screws!

Here we go!

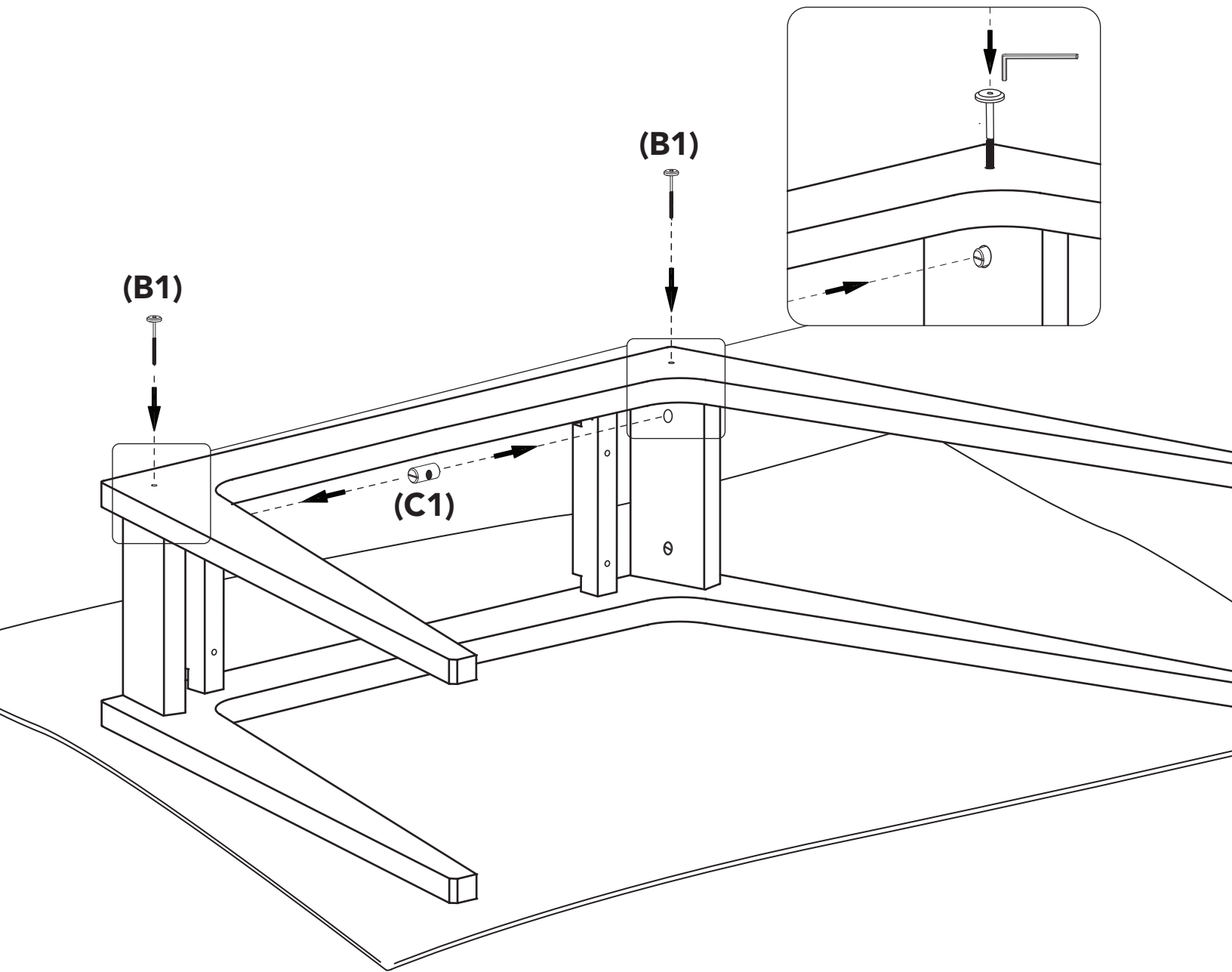
1



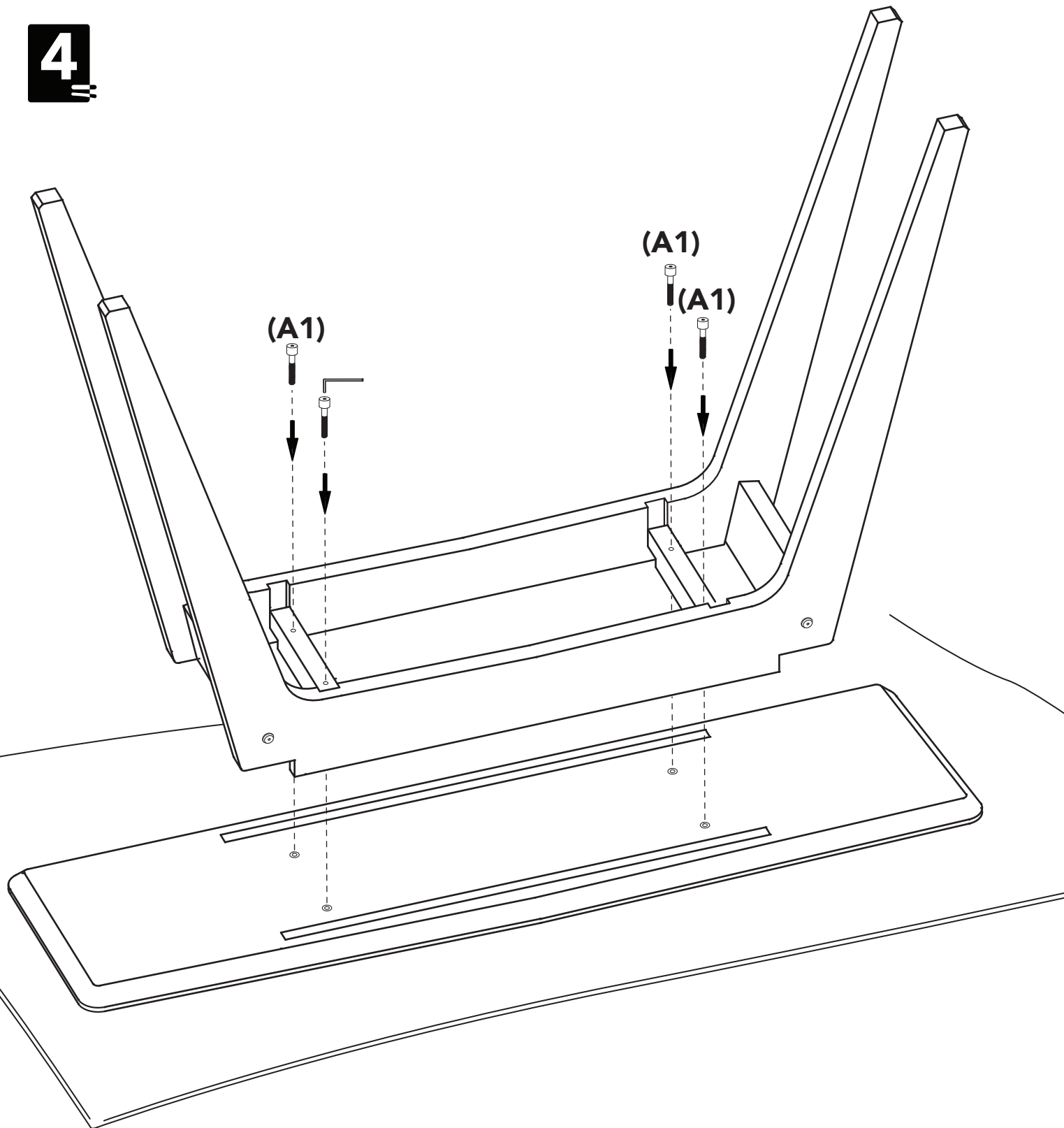
2



3



4



Done!

